

2003 NSX Online Reference Owner's Manual

Use these links (and links throughout this manual) to navigate through this reference.

For a printed owner's manual, click on authorized manuals or go to www.helminc.com.

Contents

Owner's Identification Form

Introduction	i
A Few Words About Safety	ii
Your Car at a Glance	2
Driver and Passenger Safety	5
Proper use and care of your car's seat belts, and Supplemental Restraint System.	
Instruments and Controls	45
Instrument panel indicator and gauge, and how to use dashboard and steering column controls.	
Comfort and Convenience Features	87
How to operate the climate control system, the audio system, and other convenience features.	
Before Driving	129
What gasoline to use, how to break-in your new car, and how to load luggage and other cargo.	
Driving	145
The proper way to start the engine, shift the transmission, and park, plus towing a trailer.	
Maintenance	167
The Maintenance Schedule shows you when you need to take your car to the dealer.	
Appearance Care	227
Tips on cleaning and protecting your car. Things to look for if your car ever needs body repairs.	
Taking Care of the Unexpected	235
This section covers several problems motorists sometimes experience, and how to handle them.	
Technical Information	269
ID numbers, dimensions, capacities, and technical information.	
Warranty and Customer Relations (U.S. and Canada)	285
A summary of the warranties covering your new Acura, and how to contact us.	
Authorized Manuals (U.S. only)	289
How to order manuals and other technical literature.	
Index	I

Service Information Summary

A summary of information you need when you pull up to the fuel pump.

Owner's Identification

OWNER _____

ADDRESS _____
STREET

_____ CITY STATE/PROVINCE ZIP CODE/
POSTAL CODE

V. I. N. _____

DELIVERY DATE _____
(Date sold to original retail purchaser)

DEALER NAME _____ DEALER NO. _____

ADDRESS _____
STREET

_____ CITY STATE/PROVINCE ZIP CODE/
POSTAL CODE

OWNER'S SIGNATURE _____

DEALER'S SIGNATURE _____

This Owner's Manual should be considered a permanent part of the vehicle, and should remain with the vehicle when it is sold.

This Owner's Manual covers all models of the Acura NSX. You may find descriptions of equipment and features that are not on your particular model.

The information and specifications included in this publication were in effect at the time of approval for printing. Honda Motor Co., Ltd. reserves the right, however, to discontinue or change specifications or design at any time without notice and without incurring any obligation whatsoever.

Congratulations on your selection of the 2003 Acura NSX. We are certain you will be pleased with your purchase of one of the most sophisticated and technologically-advanced sports cars in the world.

One of the best ways to enhance the enjoyment of your new Acura is to read this manual. In it, you will learn how to operate its driving controls and convenience items. Afterwards, keep this owner's manual in your car so you can refer to it at any time.

Several warranties protect your new Acura. Read the warranty booklet thoroughly so you understand the coverages and are aware of your rights and responsibilities.

Maintaining your car according to the schedules given in this manual helps to keep your driving trouble-free while it preserves your investment. When your car needs maintenance, keep in mind that your Acura dealer's staff is specially trained in servicing the many systems unique to your Acura. Your Acura dealer is dedicated to your satisfaction and will be pleased to answer any questions and concerns.

California Proposition 65 Warning

WARNING: This product contains or emits chemicals known to the State of California to cause cancer and birth defects or other reproductive harm.

As you read this manual, you will find information that is preceded by a **NOTICE** symbol. This information is intended to help you avoid damage to your Acura, other property, or the environment.


A Few Words About Safety

Your safety, and the safety of others, is very important. And operating this car safely is an important responsibility.

To help you make informed decisions about safety, we have provided operating procedures and other information on labels and in this manual. This information alerts you to potential hazards that could hurt you or others.

Of course, it is not practical or possible to warn you about all the hazards associated with operating or maintaining your car. You must use your own good judgement.

You will find this important safety information in a variety of forms, including:

- **Safety Labels** — on the car.
- **Safety Messages** — preceded by a safety alert symbol  and one of three signal words: **DANGER**, **WARNING**, or **CAUTION**.
These signal words mean:

 **DANGER**

You **WILL** be **KILLED** or **SERIOUSLY HURT** if you don't follow instructions.

 **WARNING**

You **CAN** be **KILLED** or **SERIOUSLY HURT** if you don't follow instructions.

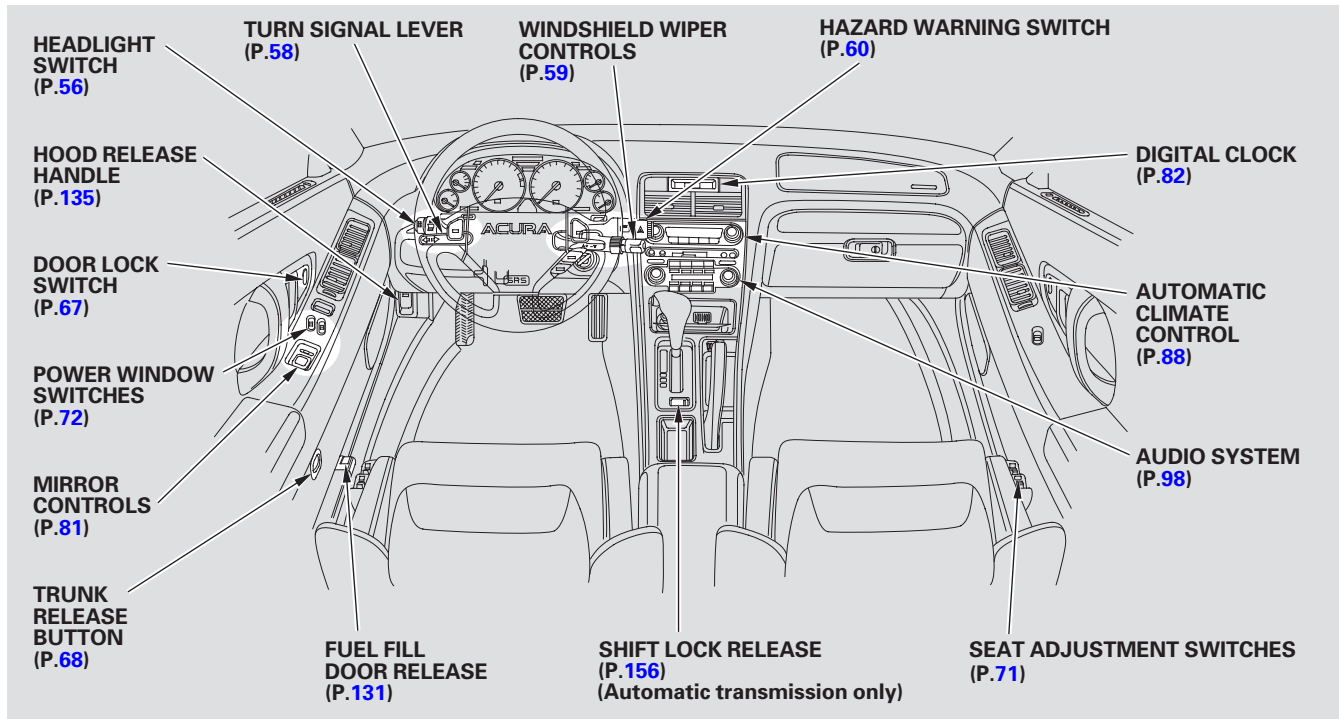
 **CAUTION**

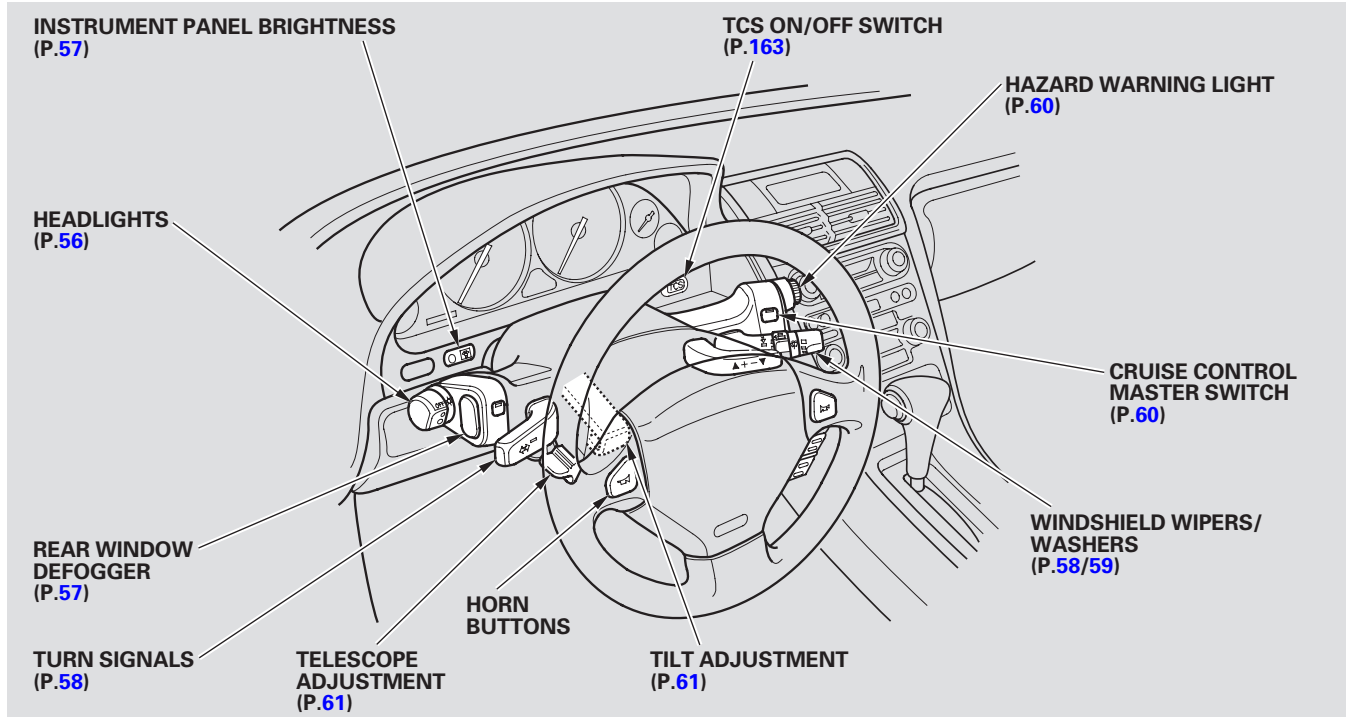
You **CAN** be **HURT** if you don't follow instructions.

- **Safety Headings** — such as Important Safety Reminders or Important Safety Precautions.
- **Safety Section** — such as Driver and Passenger Safety.
- **Instructions** — how to use this car correctly and safely.

This entire book is filled with important safety information — please read it carefully.

Your Car at a Glance





This section gives you important information about how to protect yourself and your passenger. It shows you how to use seat belts properly. It explains your Supplemental Restraint System. And it tells you how to properly restrain children in your car.

Important Safety Precautions	6	Additional Safety Precautions....	22
Your Car's Safety Features	7	General Guidelines for Using	
Seat Belts	8	Child Seats.....	22
Airbags.....	9	Protecting Small Children	26
Seats & Seat-Backs.....	10	Protecting Larger Children.....	29
Head Restraints	10	Using Child Seats with	
Door Locks.....	10	Tethers.....	33
Pre-Drive Safety Checklist	11	Additional Information About Your	
Protecting Adults	12	Seat Belts	34
1. Close and Lock the Doors.....	12	Seat Belt System Components...	34
2. Adjust the Front Seats	12	Lap/Shoulder Belt.....	34
3. Adjust the Seat-Backs	14	How the Automatic Seat Belt	
4. Fasten and Position the Seat		Tensioners Work.....	35
Belts	15	Seat Belt Maintenance	36
5. Adjust the Steering Wheel	16	Additional Information About Your	
6. Maintain a Proper Sitting		SRS	36
Position	16	SRS Components	36
Advice for Pregnant Women.....	17	How Your Airbags Work	36
Additional Safety Precautions....	18	How the SRS Indicator Light	
Protecting Children.....	19	Works.....	39
All Children Must Be		SRS Service.....	40
Restrained	19	Additional Safety Precautions....	40
Your Car is Not Recommended		Carbon Monoxide Hazard	41
for Child Passengers.....	20	Safety Labels.....	42
The Passenger's Airbag Poses			
Serious Risks to Children	20		

Important Safety Precautions

You'll find many safety recommendations throughout this section, and throughout this manual. The recommendations on this page are the ones we consider to be the most important.

Always Wear Your Seat Belt

A seat belt is your best protection in all types of collisions. Airbags supplement seat belts, but airbags are designed to inflate only in a moderate to severe frontal collision. So even though your car is equipped with airbags, make sure you and your passenger always wear your seat belts, and wear them properly. (See page 15).

Your Car is Not Recommended for Child Passengers

Since all children are safest in the back seat of a car, and your car does not have a back seat, we recommend that you do not carry a child passenger. *Due to the passenger's*

airbag hazard, you should never carry an infant in a rear-facing child seat in this car. If a small child who must be restrained in a forward-facing child seat, or a larger child, must ride in this car, be sure to follow all instructions and safety warnings in this manual. (See pages 26 and 29.)

Be Aware of Airbag Hazards

While airbags can save lives, they can cause serious or fatal injuries to occupants who sit too close to them, or are not properly restrained. Infants, young children, and short adults are at the greatest risk. Be sure to follow all instructions and warnings in this manual. (See page 7.)

Don't Drink and Drive

Alcohol and driving don't mix. Even one drink can reduce your ability to respond to changing conditions, and your reaction time gets worse with

every additional drink. So don't drink and drive, and don't let your friends drink and drive, either.

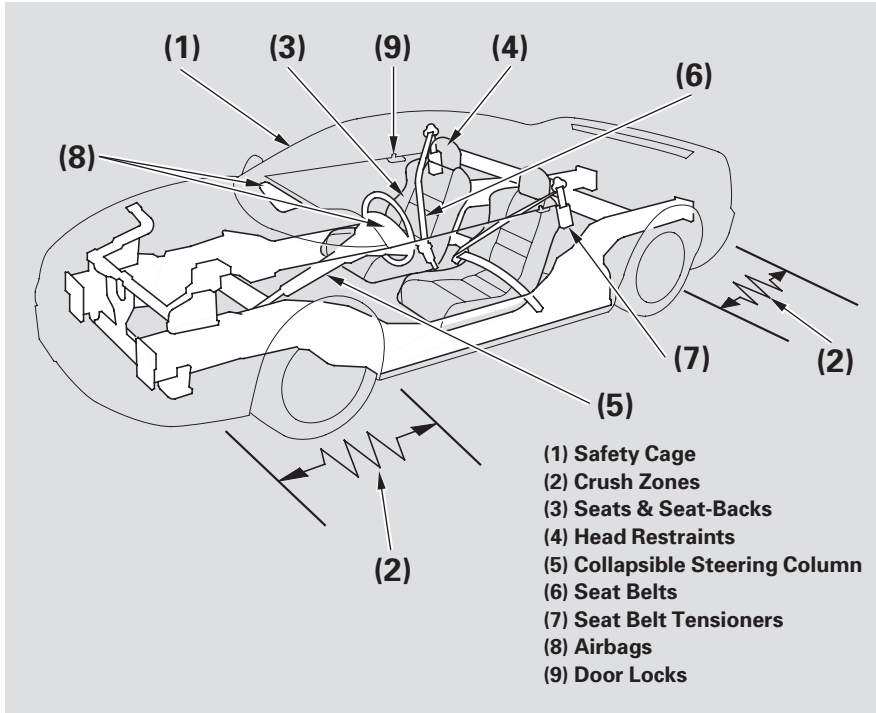
Control Your Speed

Excessive speed is a major factor in crash injuries and deaths. Generally, the higher the speed the greater the risk, but serious accidents can also occur at lower speeds. Never drive faster than is safe for current conditions, regardless of the maximum speed posted.

Keep Your Car in Safe Condition

Having a tire blowout or a mechanical failure can be extremely hazardous. To reduce the possibility of such problems, check your tire pressures and condition frequently, and perform all regularly scheduled maintenance. (See page 170.)

Your Car's Safety Features



Your car is equipped with many features that work together to protect you and your passenger during a crash.

Some safety features do not require any action on your part. These include a strong aluminum framework that forms a safety cage around the passenger compartment; front and rear crush zones that are designed to crumple and absorb energy during a crash; a collapsible steering column; and seat belt tensioners that automatically tighten the seat belts in the event of a crash. These safety features are designed to reduce the severity of injuries in a crash. However, you and your passenger can't take full advantage of these safety features unless you remain sitting in a proper position and ***always wear your seat belts properly***. In fact, some safety features can contribute to injuries if they are not used properly.

Your Car's Safety Features

Seat Belts

For your safety, and the safety of your passenger, your car is equipped with seat belts in both seating positions.



Your seat belt system also includes a light on the instrument panel to remind you and your passenger to fasten your seat belts.

Why Wear Seat Belts

Seat belts have proven to be the single most effective safety device.

Not wearing a seat belt properly increases the chance of serious injury or death in a crash, even though your car has airbags.

In addition, most states and all Canadian provinces require you to wear seat belts.

⚠ WARNING

Not wearing a seat belt properly increases the chance of serious injury or death in a crash, even if you have airbags.

Be sure you and your passenger always wear seat belts and wear them properly.

When properly worn, seat belts:

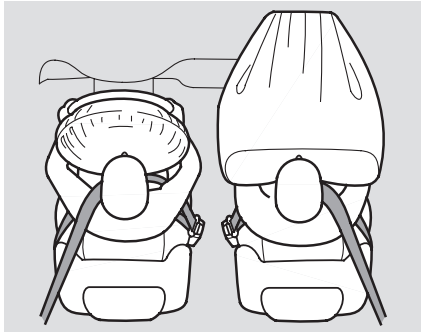
- Keep you connected to the vehicle so you can take advantage of the car's built-in safety features.
- Help protect you in almost every type of crash, including side and rear impacts and rollovers. (Your airbag can only be helpful in a moderate to severe frontal collision.)

- Help keep you from being thrown against the inside of the vehicle and against other occupants.
- Keep you from being thrown out of the vehicle.
- Help keep you in a good position should the airbags ever deploy. A good position reduces the risk of injury from an inflating airbag, and allows you to get the best advantage from the airbag.

Of course, seat belts cannot completely protect you in every crash. But in most cases, seat belts can reduce your risk of serious injury.

What you should do: Always wear your seat belt, and make sure you wear it properly.

Airbags



Your car has a Supplemental Restraint System (SRS) with frontal airbags to help protect the driver and a passenger.

SRS This system also includes an indicator light on the instrument panel to alert you to a possible problem with the system.

The most important things you need to know about your airbags are:

- **Airbags do not replace seat belts.** The seat belts are the occupants' primary protection in all types of collisions. Airbags supplement seat belts by providing extra protection for occupants' heads and chests.
- **Airbags offer no protection in side impacts, rear impacts, rollovers, or minor collisions.** Airbags are designed to deploy only during a moderate to severe frontal collision.

- **Airbags can pose serious hazards.** To do their job, airbags must inflate with tremendous force and speed. So while airbags save lives, they can cause serious injuries to adults and larger children who are not wearing seat belts, are not wearing them properly, are sitting too close to the airbag, or are not sitting in a proper position. Infants and small children are at an even greater risk of injury or death.

What you should do: Always wear your seat belt properly, and sit upright and as far back as possible from the steering wheel or dashboard.

Your Car's Safety Features

Seats & Seat-Backs

Your car's seats are designed to keep you in a comfortable, upright position so you can take full advantage of the protection offered by seat belts and the energy absorbing materials in the seats.

How you adjust your seats and seat-backs can also affect your safety. For example, sitting too close to the steering wheel or dashboard increases the risk of you or your passenger being injured by striking the inside of the car, or by an inflating airbag.

Reclining a seat-back too far reduces the seat belt's effectiveness and increases the chance that the seat's occupant will slide under the seat belt in a crash and be seriously injured.

What you should do: Move the seats as far back as possible, and keep adjustable seat-backs in an upright position whenever the car is moving.

Head Restraints

Head restraints can help protect you from whiplash and other injuries.

Door Locks

Keeping your doors locked reduces the chance of being thrown out of the car during a crash. It also helps prevent occupants from accidentally opening a door and falling out, and outsiders from unexpectedly opening your doors.

Pre-Drive Safety Checklist

To make sure you and your passenger get the maximum protection from your car's safety features, check the following each time before you drive away:

- You and any adult passenger, or a larger child who has outgrown child seats, are wearing your seat belts and wearing them properly (see page 15).
- A small child riding in a forward-facing child seat is properly restrained (see page 26).
- Occupants are sitting upright and as far back as possible from the steering wheel and dashboard (see page 12).
- Seat-backs are upright (see page 14).
- Both doors are closed and locked (see page 12).
- All cargo is properly stored or secured (see page 141).

The rest of this section gives more detailed information about how you can maximize your safety.

Remember, however, that no safety system can prevent all injuries or deaths that can occur in severe crashes, even when seat belts are properly worn and the airbags deploy.

Protecting Adults

Introduction

The following pages provide instructions on how to properly protect adult occupants.

These instructions also apply to a child whom you have decided is large enough and mature enough to ride as a passenger. (See page 29 for important additional guidelines on how to properly protect larger children.)

1. Close and Lock the Doors

After everyone has entered the car, be sure the doors are closed and locked.



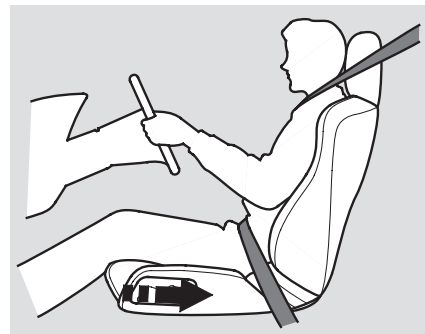
Your car has a door monitor light on the instrument panel to indicate when a specific door is not tightly closed.

For safety, locking the doors reduces the chance that a passenger, especially a child, will open a door while the car is moving and accidentally fall out. It also reduces the chance of someone being thrown out of the car during a crash.

For security, locked doors can prevent an outsider from unexpectedly opening a door when you come to a stop.

See page 67 for how to lock the doors.

2. Adjust the Front Seats



Any driver who sits too close to the steering wheel is at risk of being seriously injured or killed by striking the steering wheel, or from being struck by an inflating front airbag during a crash.

To reduce the chance of injury, wear your seat belt properly, sit upright with your back against the seat, and move the seat away from the steering wheel to the farthest distance that allows you to maintain full control of the car.

The National Highway Traffic Safety Administration and Transport Canada recommend that drivers adjust the seat so the center of the chest is at least 10 inches away from the center of the steering wheel. In addition to adjusting the seat, you can adjust the steering wheel in and out (see page [61](#)).

Also make sure your front seat passenger moves the seat as far to the rear as possible.

WARNING

Sitting too close to an airbag can result in serious injury or death if the airbags inflate.

Always sit as far back from the airbags as possible.

Most shorter drivers can get far enough away from the steering wheel and still reach the pedals. However, if you are concerned about sitting too close, we recommend that you investigate whether some type of adaptive equipment may help.

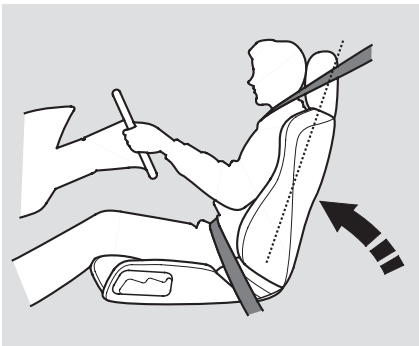
Once your seat is adjusted correctly, rock it back and forth to make sure the seat is locked in position.

See page [71](#) for how to adjust the seats.

Protecting Adults

3. Adjust the Seat-Backs

Adjust the driver's seat-back to a comfortable, upright position, leaving ample space between your chest and the airbag cover in the center of the steering wheel. If you sit too close to the steering wheel, you could be injured if the airbag inflates.



A passenger should also adjust the seat-back to an upright position, but as far from the dashboard as possible. A passenger who sits too close to the dashboard could be injured if the airbag inflates.

Reclining a seat-back so that the shoulder part of the belt no longer rests against the occupant's chest reduces the protective capability of the belt. It also increases the chance of sliding under the belt in a crash and being seriously injured. The farther a seat-back is reclined, the greater the risk of injury.

⚠ WARNING

Reclining the seat-back too far can result in serious injury or death in a crash.

Adjust the seat-back to an upright position and sit well back in the seat.

See page [71](#) for how to adjust seat-backs.

4. Fasten and Position the Seat Belts

Insert the latch plate into the buckle, then tug on the belt to make sure the belt is securely latched. Also check that the belt is not twisted, because a twisted belt can cause serious injuries in a crash.



Position the lap part of the belt as low as possible across your hips, then pull up on the shoulder part of the belt so the lap part fits snugly. This lets your strong pelvic bones take the force of a crash and reduces the chance of internal injuries.

If necessary, pull up on the belt again to remove any slack from the shoulder part, then check that the belt rests across the center of your chest and over your shoulder. This

spreads the forces of a crash over the strongest bones in your upper body.

⚠ WARNING

Improperly positioning the seat belts can cause serious injury or death in a crash.

Make sure all seat belts are properly positioned before driving.

Never place the shoulder portion of a lap/shoulder belt under your arm or behind your back. This could cause very serious injuries in a crash.

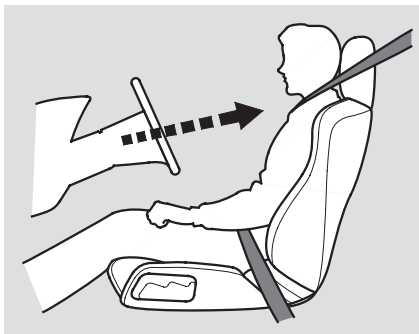
CONTINUED

Protecting Adults

If a seat belt does not seem to work as it should, it may not protect the occupant in a crash. **No one should sit in a seat with an inoperative seat belt.** Anyone using a seat belt that is not working properly can be seriously injured or killed. Have your Acura dealer check the belt as soon as possible.

See page 34 for additional information about your seat belt system and how to take care of your belts.

5. Adjust the Steering Wheel



Adjust the steering wheel, if needed, so that the wheel points toward your chest, not toward your face.

Pointing the steering wheel toward your chest provides optimal protection from the airbag.

See page 60 for how to adjust the steering wheel.

6. Maintain a Proper Sitting Position

After occupants have adjusted their seats and put on seat belts, it is very important that they continue to sit upright, well back in their seats, with their feet on the floor, until the car is parked and the engine is off.

Sitting improperly can increase the chance of injury during a crash. For example, if an occupant slouches, lies down, turns sideways, sits forward, leans forward or sideways, or puts one or both feet up, the chance of injury during a crash is greatly increased.

In addition, an occupant who is out of position can be seriously or fatally injured by striking interior parts of the car, or by being struck by an inflating airbag.

⚠ WARNING

Sitting improperly or out of position can result in serious injury or death in a crash.

Always sit upright, well back in the seat, with your feet on the floor.

Remember, to get the best protection from your car's airbags and other safety features, you must sit properly and wear your seat belt properly.

Advice for Pregnant Women



Because protecting the mother is the best way to protect her unborn child, a pregnant woman should always wear a seat belt whenever she drives or rides in a vehicle.

Remember to keep the lap portion of the belt as low as possible across your hips.

Pregnant women should also sit upright and as far back as possible from the steering wheel or dashboard. This will reduce the risk of injuries to both the mother and her unborn child that can be caused by a crash or an inflating airbag.

Each time you have a check-up, ask your doctor if it's okay for you to drive.

Protecting Adults

Additional Safety Precautions

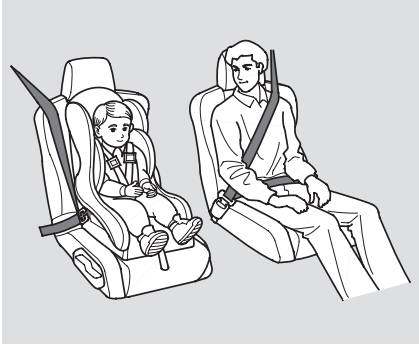
- **Two people should never use the same seat belt.** If they do, they could be very seriously injured in a crash.
- **Do not put any accessories on seat belts.** Devices intended to improve occupant comfort or reposition the shoulder part of a seat belt can severely compromise the protective capability of the seat belt and increase the chance of serious injury in a crash.

- **Do not place hard or sharp objects between yourself and an airbag.**

Carrying hard or sharp objects on your lap, or driving with a pipe or other sharp object in your mouth, can result in injuries if your airbags inflate.

Do not attach or place objects on the airbag covers. Any object attached to or placed on the covers marked “SRS AIRBAG,” in the center of the steering wheel and on top of the dashboard, could interfere with the proper operation of the airbags. Or, if the airbags inflate, the objects could be propelled inside the car and hurt someone.

- **Keep your hands and arms away from the airbag covers.** If your hands or arms are close to the airbag covers in the center of the steering wheel and on top of the dashboard, they could be injured if the airbags inflate.



Children depend on adults to protect them. However, despite their best intentions, many parents and other adults may not know how to *properly* protect young passengers.

So if you have children, or if you ever need to drive with a grandchild or other children in your car, be sure to read this section.

⚠ WARNING

Children who are unrestrained or improperly restrained can be seriously injured or killed in a crash.

Any child too small for a seat belt should be properly restrained in a child seat. A larger child should be properly restrained with a seat belt.

All Children Must Be Restrained
Each year, many children are injured or killed in vehicle crashes because they are either unrestrained or not properly restrained. In fact, vehicle accidents are the number one cause of death of children ages 12 and under.

To reduce the number of child deaths and injuries, every state and Canadian province requires that infants and children be restrained whenever they ride in a vehicle.

Any child who is too small to wear a seat belt should be properly restrained in a child seat. (See page [26](#).)

A larger child should always be restrained with a seat belt, and use a booster, if needed. (See page [29](#).)

Protecting Children

Your Car is Not Recommended for Child Passengers

We strongly recommend that you do not carry any child in this car. One reason is that your car does not have a back seat, and accident statistics show that a child of any size or age is safer when they are properly restrained in the back seat of a vehicle.

In addition, your car has a passenger's airbag which poses serious risks to children – particularly infants and small children.

The Passenger's Airbag Poses Serious Risks to Children

Airbags have been designed to help protect adults in a moderate to severe frontal collision. To do this, the passenger's airbag is quite large, and it inflates with tremendous speed.

As a result, we urge you to follow these guidelines.

Infants

Never put a rear-facing child seat in the front seat of a car equipped with a passenger's airbag. If the airbag inflates, it can hit the back of the child seat with enough force to kill or very seriously injure an infant.

Small Children

Placing a forward-facing child seat in the front seat of a car equipped with a passenger's airbag can be hazardous. If the vehicle seat is too far forward, or the child's head is thrown forward during a collision, an inflating airbag can strike the child with enough force to kill or very seriously injure a small child. If a small child must ride in this car, follow the instructions on page [23](#).

Larger Children

Children who have outgrown child seats are also at risk of being injured or killed by an inflating passenger's airbag. If a larger child must ride in this car, see page [29](#) for important guidelines on how to decide whether a child is large enough and mature enough to ride as a passenger, and how to properly protect the child.

U.S. Models

To remind you of the passenger's airbag hazards, your car has warning labels on the dashboard and on the driver's and passenger's visors. Please read and follow the instructions on these labels.

 WARNING	
	DEATH or SERIOUS INJURY can occur <ul style="list-style-type: none">• Children 12 and under can be killed by the air bag• NEVER put a rear-facing child seat in the front• Sit as far back as possible from the air bag• ALWAYS use SEAT BELTS and CHILD RESTRAINTS

 WARNING	
Children Can Be KILLED or INJURED by Passenger Air Bag	
• Make sure all children use seat belts or child seats.	
To be removed by owner only.	

Canadian Models

To remind you of the airbag hazards, your car has warning labels on the driver's and passenger's visors. Please read and follow the instructions on these labels.

CAUTION TO AVOID SERIOUS INJURY: <ul style="list-style-type: none">• FOR MAXIMUM SAFETY PROTECTION IN ALL TYPES OF CRASHES, YOU MUST ALWAYS WEAR YOUR SAFETY BELT.• DO NOT INSTALL REARWARD-FACING CHILD SEATS IN ANY FRONT PASSENGER SEAT POSITION.• DO NOT SIT OR LEAN UNNECESSARILY CLOSE TO THE AIR BAG.• DO NOT PLACE ANY OBJECTS OVER THE AIR BAG OR BETWEEN THE AIR BAG AND YOURSELF.• SEE THE OWNER'S MANUAL FOR FURTHER INFORMATION AND EXPLANATIONS.	PRÉCAUTION: POUR ÉVITER DES BLESSURES GRAVES: <ul style="list-style-type: none">• POUR PROFITER D'UNE PROTECTION MAXIMALE LORS D'UNE COLLISION BOUCLEZ TOUJOURS VOTRE CEINTURE DE SÉCURITÉ.• N'INSTALLEZ JAMAIS UN SIÈGE POUR ENFANTS FAISANT FACE À L'ARRIÈRE SUR LE SIÈGE DU PASSAGER AVANT.• NE VOUS APPUYEZ PAS ET NE VOUS ASSEYEZ PAS PRES DU COUSSIN GONFLABLE.• NE DEPOSEZ AUCUN OBJET SUR LE COUSSIN GONFLABLE OU ENTRE LE COUSSIN GONFLABLE ET VOUS.• LISEZ LE GUIDE UTILISATEUR POUR DE PLUS AMPLES RENSEIGNEMENTS.
--	---

Protecting Children

Additional Safety Precautions

- **Do not leave a child alone in your car.** Leaving a child without adult supervision is illegal in most states and Canadian provinces and can be very hazardous. For example, a small child left in a car on a hot day can die from heatstroke. A child left alone with the key in the ignition can accidentally set the car in motion, possibly injuring themselves or others.
- **Lock both doors and the trunk when your car is not in use.** Children who play in cars can accidentally get trapped inside the trunk and be seriously injured or could die. Teach your children not to play in or around cars. Know how to operate the emergency trunk opener and decide if your children should be shown how to use this feature (See page 69).

- **Keep car keys out of the reach of children.** Even very young children learn how to unlock vehicle doors, turn on the ignition, and open the trunk, which can lead to accidental injury or death.

General Guidelines for Using Child Seats

As discussed on page 20 , because your car does not have a back seat, and because of the passenger's airbag hazard, we strongly recommend that you do not carry a small child as a passenger in this car.

However, if you must carry a small child in this car, the child must be properly restrained in a child seat.

The following pages give general guidelines for selecting and installing a child seat. See page 26 for additional information.

Selecting a Child Seat

To provide proper protection, a child seat should meet three requirements:

1. **The child seat should meet safety standards.** The child seat should meet Federal Motor Vehicle Safety Standard 213 (FMVSS 213) or Canadian Motor Vehicle Safety Standard 213 (CMVSS 213). Look for the manufacturer's statement of compliance on the box and seat.

2. The child seat should be of the proper type and size to fit the child.



Small Children: A child who can sit up without support should be restrained in a forward-facing child seat. See page 26 for additional information on protecting small children.

3. The child seat should fit the passenger's seat.

Due to variations in the design of child seats, vehicle seats, and seat belts, all child seats will not fit all seating positions in all cars.

However, Acura is confident that one or more child seat models can fit and be properly installed in this car.

Before purchasing a child seat, we recommend that parents test the child seat to make sure it fits properly in the passenger's seat. If a previously purchased child seat does not fit, you will need to buy a different one that will fit.

CONTINUED

Protecting Children

Placing a Child Seat

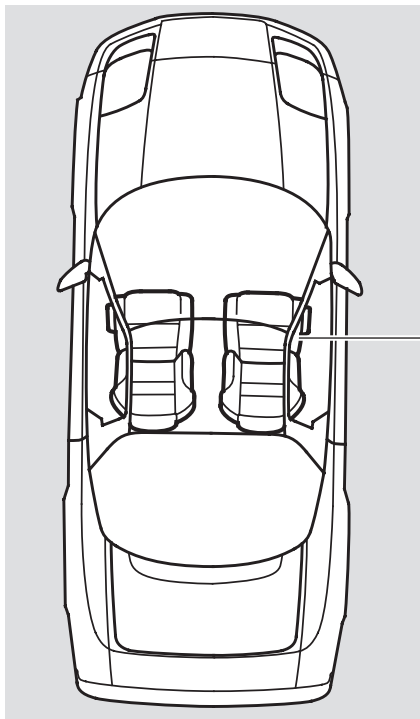
This page briefly summarizes Acura's recommendations on where to place a child seat in your car.

Airbags Pose Serious Risks to Children

The passenger's airbag inflates with enough force to kill or seriously injure an infant in a rear-facing child seat.

A small child in a forward-facing child seat is also at risk. If the vehicle seat is too far forward, or the child's head is thrown forward during a collision, an inflating airbag can kill or seriously injure the child.

If a small child must ride in this car, follow the instructions provided in this section.



Passenger's Seat

Infants: Never in the passenger's seat, due to the passenger's airbag hazard.

Small children: Not recommended, due to the passenger's airbag hazard. If a small child must ride in this car, move the vehicle seat to the rear-most position and secure a front-facing child seat with the seat belt. (see page [27](#)).

Installing a Child Seat

After selecting a proper child seat, there are three main steps in installing the seat:

- 1. Secure the child seat to the car with a seat belt.*** All child seats must be secured to the car with the lap part of a lap/shoulder belt. A child whose seat is not properly secured to the car can be endangered in a crash. See page [27](#) for instructions on how to secure a forward-facing child seat in this car.
- 2. Make sure the child seat is firmly secured.*** After installing a child seat, push and pull the seat forward and from side to side to verify that it is secure.

To provide security during normal driving maneuvers as well as during a collision, we recommend that parents secure a child seat as firmly as possible.

However, a child seat does not need to be “rock solid.” It may be difficult to install a child seat so that it does not move at all. Some side-to-side or back-and-forth movement can be expected and should not reduce the child seat’s effectiveness.

- 3. Secure the child in the child seat.*** Make sure the child is properly strapped in the child seat according to the child seat maker’s instructions. A child who is not properly secured in a child seat can be thrown out of the seat in a crash and be seriously injured.

Storing a Child Seat

When you are not using a child seat, either remove it and store it in a safe place, or make sure it is properly secured. An unsecured child seat can be thrown around the car during a crash or sudden stop and injure someone.

Protecting Children

Protecting Small Children



The passenger's airbag poses serious risks to small children. If the vehicle seat is too far forward, or the child's head is thrown forward during a collision, or the child is unrestrained or improperly restrained, an inflating airbag can kill or seriously injure the child.

For these reasons, we recommend that you do not carry a small child as a passenger.

If you decide to carry a small child in this car, follow the instructions and guidelines below.

Child Seat Type

A child at least one year old who can sit up without support, and who fits within the child seat maker's weight and height limits, should be restrained in a forward-facing, upright child seat.

Of the different seats available, we recommend those that have a five-point harness system as shown.

We also recommend that a small child stay in the child seat as long as possible, until the child reaches the weight or height limit for the seat.

⚠ WARNING

Improperly placing a forward-facing child seat in the front seat can result in serious injury or death if the front airbag inflates.

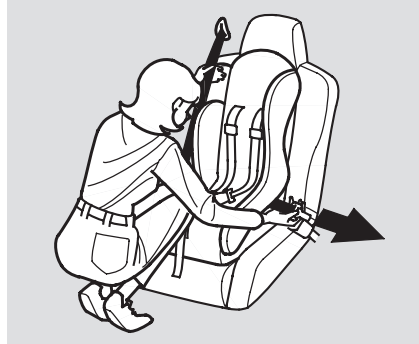
If you must place a forward-facing child seat in front, move the vehicle seat as far back as possible and properly restrain the child.

Child Seat Installation

The passenger's seat belt has a locking mechanism that must be activated to secure a child seat.

The following pages provide instructions and tips on how to secure a forward-facing child seat with this type of seat belt.

1. Move the vehicle seat to the rear-most position. Moving the seat as far back as possible reduces the chance of a child being injured or killed if the passenger's airbag inflates. (See page 71 for instructions on how to adjust the seat.)



2. With the child seat in position, route the belt through the child seat according to the seat maker's instructions, then insert the latch plate into the buckle.



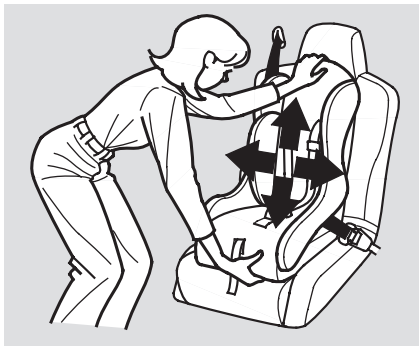
3. To activate the lockable retractor, slowly pull the shoulder part of the belt all the way out until it stops, then let the belt feed back into the retractor (you might hear a clicking noise as the belt retracts).
4. After the belt has retracted, tug on it. If the belt is locked, you will not be able to pull it out. If you can pull the belt out, it is not locked and you will need to repeat these steps.

CONTINUED

Protecting Children



5. After confirming that the belt is locked, grab the shoulder part of the belt near the buckle and pull up to remove any slack from the lap part of the belt. Remember, if the lap part of the belt is not tight, the child seat will not be secure. It may help to put weight on the child seat, or push on the back of the seat, while pulling up on the belt.



6. Push and pull the child seat forward and from side to side to verify that it is secure enough to stay upright during normal driving maneuvers. If the child seat is not secure, unlatch the belt, allow it to retract fully, then repeat these steps.

To deactivate the locking mechanism in order to remove a child seat, unlatch the buckle, unroute the seat belt, and let the belt fully retract.

Additional Precautions for Small Children

- **Never hold a small child on your lap.** If you are not wearing a seat belt in a crash, you could be thrown forward into the dashboard and crush the child.

If you are wearing a seat belt, the child can be torn from your arms during a crash. For example, if your car crashes into a parked vehicle at 30 mph (48 km/h), a 30-lb (14 kg) child will become a 900-lb (410 kg) force, and you will not be able to hold on.

- **Never put a seat belt over yourself and a child.** During a crash, the belt could press deep into the child and cause very serious injuries.

Protecting Larger Children

The passenger's airbag poses serious risks to children, including those who have outgrown child seats. If the vehicle seat is too far forward, or the child's head is thrown forward during a collision, or the child is unrestrained or out of position, an inflating airbag can kill or seriously injure the child.

For these reasons, we recommend that you do not carry a child passenger.

With this in mind, following are some guidelines to help you decide when a given child may ride in your car.

The Child Should Wear a Seat Belt

When a child reaches the recommended weight or height limit for a forward-facing child seat, the child should wear a lap/shoulder belt.

If a child is too short for the shoulder part of the belt to properly fit, we recommend that the child use a booster seat until the child is tall enough to use the seat belt without a booster.

The following pages give instructions on how to check proper seat belt fit, what kind of booster seat to use if one is needed, and important precautions for a child who must ride in this car.

⚠ WARNING

Allowing a larger child to sit improperly in the front seat can result in injury or death if the passenger's front airbag inflates.

If a larger child must sit in front, make sure the child moves the seat as far back as possible, uses a booster seat if needed, and wears the seat belt properly.

Checking Seat Belt Fit



To determine if a lap/shoulder belt properly fits a child, have the child put on the seat belt. Follow the instructions on page 15. Then check how the belt fits.

CONTINUED

Protecting Children

If the shoulder part of the belt rests over the child's collarbone and against the center of the chest, and if the lap belt rests over the child's hipbones and touches the tops of their thighs as shown, the child is probably big enough to wear the seat belt.

However, if the shoulder belt touches or crosses the child's neck, or if the lap belt crosses the child's stomach, the child needs to use a booster seat.

Do not let a child wear a seat belt across the neck or over the stomach. This could result in serious neck and internal injuries during a crash.

Do not let a child put the shoulder part of a seat belt behind the back or under the arm. This could cause very serious injuries during a crash. It also increases the chance that the child will slide under the belt in a crash and be injured.

Do not put any accessories on a seat belt. Devices intended to improve occupant comfort or reposition the shoulder part of a seat belt, severely compromise the protective capability of the seat belt and increase the chance of serious injury in a crash.

Two children should never use the same seat belt. If they do, they could be very seriously injured in a crash.

Using a Booster Seat



If a child needs a booster seat, we recommend choosing a high or low-back style that allows the child to be directly secured with the lap/shoulder belt.

Whichever style you select, follow the booster seat maker's instructions.

A child should continue using a booster seat until they exceed the booster seat manufacturer's requirements.

Even then, they may still need to use a booster seat. Note that some states now require children to use boosters until they reach a certain age and/or weight. Be sure to check current laws in the state or states where you intend to drive.

When Can a Larger Child Ride in this Car

Children vary widely. And while age may be one indicator of when a child can safely ride in this car, there are other important factors you should consider.

Physical Size

Physically, a child must be large enough for the lap/shoulder belt to properly fit over the hips, chest, and shoulder (see pages 15 and 29). If the seat belt does not fit properly, the child should use a booster seat.

Maturity

To safely ride in this car, a child must be able to follow the rules, including sitting properly and wearing the seat belt properly throughout a ride.

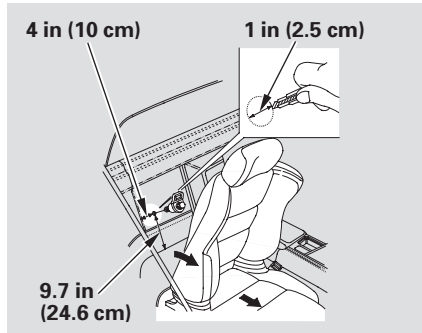
CONTINUED

Protecting Children

If you decide that a child can safely ride in this car, be sure to:

- Carefully read the owner's manual and make sure you understand all seat belt instructions and all safety information.
 - Move the vehicle seat to the rear-most position.
 - Have the child sit up straight, back against the seat, and feet on or near the floor.
 - Check that the child's seat belt is properly positioned and secured.
- Supervise the child. Even a mature child sometimes needs to be reminded to fasten the seat belt or sit properly.

Using Child Seats with Tethers



To attach a tether to your car:

1. Adjust the passenger's seat fully forward to make room behind the seat-back.
2. Using the measurements shown, poke a marker hole in the lining behind the seat.

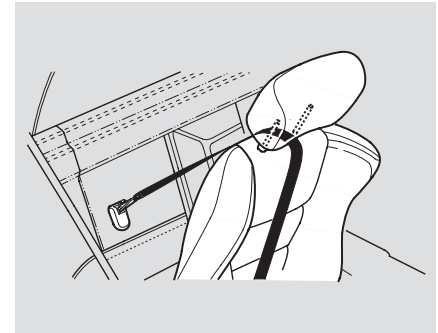
3. Use a razor blade or sharp knife to cut a 1-inch (2.5 cm) diameter circle around the marker hole. Remove the upholstery you cut.
4. Install the tether hardware. Tighten the bolt to:
16 lbf-ft (22 N·m , 2.2 kgf·m)

(U.S. models only)

The hardware is available for purchase from your Acura dealer (part numbers: 82410-S84-C10 for the hardware, 82419-S84-C00 for the cover).

(Canadian Models)

The hardware is stored in the glove box.



Pass the strap between the top of the seat and the bottom of the head restraint.

Attach the attaching clip to the tether anchorage point as shown in the illustration, then tighten the strap according to the child seat maker's instructions. Make sure the strap is not twisted.

Additional Information About Your Seat Belts

Seat Belt System Components

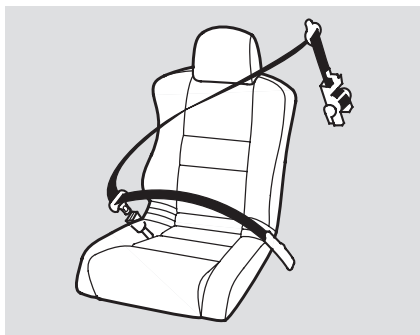
Your seat belt system includes lap/shoulder belts in both seating positions.

The seat belts are also equipped with automatic seat belt tensioners.



The system also includes a light on the instrument panel to remind you and your passenger to fasten your belts. If the driver's seat belt is not fastened before the ignition is turned ON (II), the light will come on and a beeper will also sound. The beeper will stop after a few seconds, but the light will stay on until the driver's seat belt is fastened.

Lap/Shoulder Belt



This seat belt has a single belt that goes over your shoulder, across your chest and across your hips.

To fasten the belt, insert the latch plate into the buckle, then tug on the belt to make sure the buckle is latched.

To unlock the belt, push the red PRESS button on the buckle. Guide the belt across your body to the door

pillar. After exiting the car, be sure the belt is out of the way and will not get closed in the door.

Both seat belts have an emergency locking retractor. In normal driving, the retractor lets you move freely in your seat while it keeps some tension on the belt.

During a collision or sudden stop, the retractor automatically locks the belt to help restrain your body.

The passenger's seat belt has an additional locking mechanism that must be activated to secure a child seat. (See page 27 for instructions on how to secure a forward-facing child seat with this type of belt.)

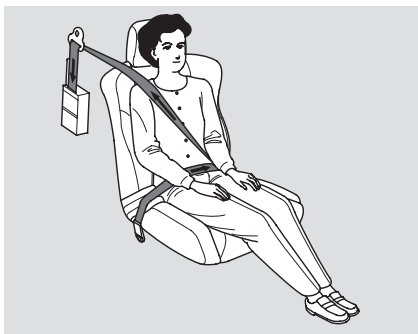
If the shoulder part of the belt is pulled all the way out, the locking mechanism will activate. The belt will retract, but it will not allow the passenger to move freely.

Additional Information About Your Seat Belts

To deactivate the locking mechanism, unlatch the buckle and let the seat belt fully retract. To refasten the belt, pull it out only as far as needed.

See page 15 for instructions on how to wear the lap/shoulder belt properly.

How the Automatic Seat Belt Tensioners Work



Your Acura has automatic seat belt tensioners for added protection during a moderate to severe frontal collision.

If your airbags inflate, the tensioners immediately tighten the seat belts to help hold the occupants in place. The belts will remain tight until you unbuckle them in the normal way.

Additional Information About Your Seat Belts

Seat Belt Maintenance

For safety, you should check the condition of your seat belts regularly.

Pull each belt out fully and look for frays, cuts, burns, and wear. Check that the latches work smoothly and that the lap/shoulder belts retract easily. Any belt not in good condition or not working properly will not provide good protection and should be replaced as soon as possible.

U.S. Models

Acura provides a lifetime warranty on seat belts. Acura will repair or replace any seat belt component that fails to function properly during normal use. Please see your *Acura Warranty Information* booklet for details.

⚠ WARNING

Not checking or maintaining seat belts can result in serious injury or death if the seat belts do not work properly when needed.

Check your seat belts regularly and have any problem corrected as soon as possible.

If a seat belt is worn during a crash, it must be replaced by the dealer. A belt that has been worn during a crash may not provide the same level of protection in a subsequent crash. The dealer should also inspect the anchors for damage and replace them if needed.

For information on how to clean your seat belts, see page [232](#).

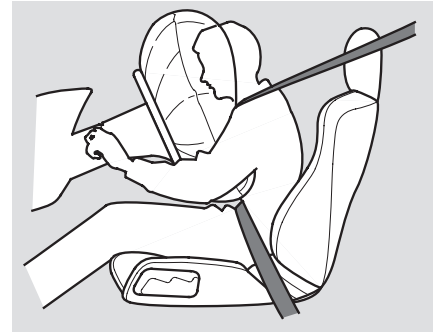
SRS Components

Your Supplemental Restraint System (SRS) includes:

- Two front airbags. The driver's airbag is stored in the center of the steering wheel; the front passenger's airbag is stored in the dashboard. Both are marked "SRS AIRBAG."
- Automatic seat belt tensioners that tighten the front seat belts during a moderate to severe frontal collision.
- Sensors that can detect a moderate to severe frontal collision.
- A sophisticated electronic system that continually monitors information about the sensors, the control unit, and the airbag activators when the ignition switch is ON (II).

- An indicator light on the instrument panel that alerts you to a possible problem with the system (see page 39).
- Emergency backup power in case your car's electrical system is disconnected in a crash.

How Your Airbags Work



If you ever have a moderate to severe frontal collision, the sensors will detect rapid deceleration and signal the control unit to instantly inflate the airbags and activate the automatic seat belt tensioners.

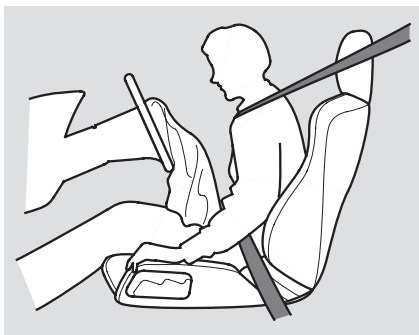
CONTINUED

Additional Information About Your SRS

During a crash, your seat belt helps restrain your lower body and torso, while the tensioner tightens and locks the seat belt to help keep you in place. Your airbag provides a cushion to help restrain and protect your head and chest.

Since both airbags use the same sensors, both airbags normally inflate at the same time. However, it is possible for only one airbag to inflate.

This can occur when the severity of a collision is at the margin, or threshold, that determines whether or not the airbags will deploy. In such cases, the seat belt will provide sufficient protection, and the supplemental protection offered by the airbag would be minimal.



After inflating, the airbags immediately deflate, so they won't interfere with the driver's visibility, or the ability to steer or operate other controls.

The total time for inflation and deflation is approximately one-tenth of a second, so fast that most occupants are not aware that the airbags deployed until they see them lying in their laps.

After a crash, you may see what looks like smoke. This is actually powder from the airbag's surface. Although the powder is not harmful, people with respiratory problems may experience some temporary discomfort. If this occurs, get out of the car as soon as it is safe to do so.

U.S. Owners

For additional information on how your airbags work, see the booklet titled *SRS: What You Need to Know About Airbags* that came with your owner's manual.

Canadian Owners

For additional information on how your airbags work, ask your dealer for a copy of the booklet titled *SRS: What You Need to Know About Airbags*.

How the SRS Indicator Light Works

SRS The purpose of the SRS light is to alert you to a potential problem with your Supplemental Restraint System.

When you turn the ignition ON (II), this indicator will light briefly then go out. This tells you that the system is working properly.

If the light comes on at any other time, or does not come on at all, you should have the system checked by your dealer. For example:

- If the SRS indicator light does not come on after you turn the ignition switch to ON (II).
- If the light stays on after the engine starts.

- If the light comes on or flashes on and off while you drive.

If you see any of these indications, your airbags and seat belt tensioners may not deploy when you need them. See your Acura dealer as soon as possible.

WARNING

Ignoring the SRS indicator light can result in serious injury or death if the airbags do not inflate when needed.

Have your vehicle checked by a dealer as soon as possible if the SRS light alerts you to a potential problem.

Additional Information About Your SRS

SRS Service

Your Supplemental Restraint System is virtually maintenance-free, and there are no parts you can safely service. However, you must have your car serviced if:

- ***Your airbags ever inflate.*** The airbags, seat belt tensioners and control unit must be replaced. Do not try to remove or replace the airbags yourself. This must be done by an Acura dealer or a knowledgeable body shop.
- ***The SRS indicator light alerts you to a problem.*** Take your car to an authorized Acura dealer as soon as possible. If you ignore this indication, the airbags might not inflate when you need them.

Additional Safety Precautions

- Do not attempt to deactivate your airbags. Together, airbags and seat belts provide the best protection in a moderate to severe frontal collision.
- ***Do not tamper with SRS components or wiring for any reason.*** Tampering could cause the airbags to deploy, possibly causing very serious injury.

See page [139](#) for further information and precautions relating to your SRS.

Your car's exhaust contains carbon monoxide gas. You should have no problem with carbon monoxide entering the car in normal driving if you maintain your car properly. Have the exhaust system inspected for leaks whenever:

- The car is raised for an oil change.
- You notice a change in the sound of the exhaust.
- The car was in an accident that may have damaged the underside.

WARNING



Carbon monoxide gas is toxic. Breathing it can cause unconsciousness and even kill you.

Avoid any enclosed areas or activities that expose you to carbon monoxide.

High levels of carbon monoxide can collect rapidly in enclosed areas, such as a garage. Do not run the engine with the garage door closed. Even with the door open, run the engine only long enough to move the car out of the garage.

With the trunk lid open, air flow can pull exhaust gas into your car's interior and create a hazardous condition. If you must drive with the trunk lid open, open all the windows and set the heating and cooling system/climate control system as shown below.

If you must sit in your parked car, even in an unconfined area, with the engine running, adjust the heating and cooling system as follows:

1. Push the  button.
2. Select the  mode.
3. Turn the fan on high speed.
4. Set the temperature control to a comfortable setting.

Safety Labels

These labels are in the locations shown. They warn you of potential hazards that could cause serious injury. Read these labels carefully.

If a label comes off or becomes hard to read, contact your Acura dealer for a replacement.

SUN VISOR

U.S. models	Canadian models
<p>⚠ WARNING</p> <p>DEATH or SERIOUS INJURY can occur</p> <ul style="list-style-type: none"> • Children 12 and under can be killed by the air bag. • Always sit in the proper seating position in the seat. • Sit all the way back in the seat for the air bag. • Always use seat belts and child restraints. 	<p>CAUTION:</p> <p>TO AVOID SERIOUS INJURY, DO NOT:</p> <ul style="list-style-type: none"> • GET INTO THE CAR AND DRIVE WITH ANY TYPE OF CRACKS, HOLES, OR OTHER DAMAGE TO THE SUN VISOR. • DO NOT INSTALL, REPAIR, OR REPLACE THE SUN VISOR. • REMOVE THE SUN VISOR FROM THE CAR. • DO NOT USE THE SUN VISOR AS A CHILD RESTRAINT. • DO NOT USE THE SUN VISOR TO PROTECT YOURSELF FROM THE SUN. • DO NOT USE THE SUN VISOR TO PROTECT YOURSELF FROM THE SUN. • DO NOT USE THE SUN VISOR TO PROTECT YOURSELF FROM THE SUN. <p>PRECAUTION:</p> <p>POUR ÉVITER DES BLESSURES GRAVES, NE PAS:</p> <ul style="list-style-type: none"> • CONDUIRE LA VOITURE AVEC CRACKS, TROUS, OU D'AUTRES DOMMAGES AU VISOR SOLAIRE. • INSTALLER, RÉPARER, OU REMPLACER LE VISOR SOLAIRE. • ENLEVER LE VISOR SOLAIRE DE LA VOITURE. • NE PAS UTILISER LE VISOR SOLAIRE EN TANT QUE SIÈGE ENFANT. • NE PAS UTILISER LE VISOR SOLAIRE POUR SE PROTÉGER DU SOLEIL. • NE PAS UTILISER LE VISOR SOLAIRE POUR SE PROTÉGER DU SOLEIL. • NE PAS UTILISER LE VISOR SOLAIRE POUR SE PROTÉGER DU SOLEIL.

DASHBOARD

U.S. models only

⚠ WARNING

Children Can Be Killed or Injured by Passenger Air Bag

• Make sure all children use seat belts or child seats. To be removed by owner only.

FOLDING SPARE TIRE

SPARE TIRE AO CO

- FOLLOW OWNER'S MANUAL INSTRUCTIONS CAREFULLY.
- SPARE TIRE IS FOR TEMPORARY EMERGENCY USE ONLY.
- MAXIMUM RECOMMENDED SPEED: 50MPH(80km/h)
- SPARE TIRE INFLATION PRESSURE:
 - FOR FRONT USE: 180psi (124psi)
 - FOR REAR USE: 220psi (150psi)

JUMP START

ATTENTION

• NE PAS METTRE EN MARCHE AVEC UNE BATTERIE DE SECOURS LORSQUE LE VEHICULE EST CHAUD.

• NE PAS METTRE EN MARCHE AVEC UNE BATTERIE DE SECOURS LORSQUE LE VEHICULE EST CHAUD.

CAUTION

• DO NOT JUMP START WHEN BATTERY FLUID IS FROZEN.

• FROZEN BATTERY MAY EXPLODE.

• NI MARCHER NI DÉMARRER AVEC UNE BATTERIE DE SECOURS LORSQUE LE VEHICULE EST CHAUD.

RADIATOR

⚠ DANGER

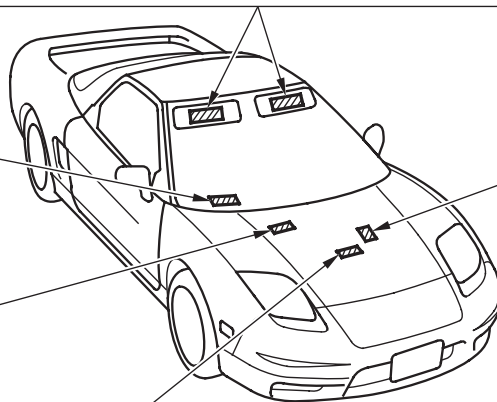
▶ Never open red vent plug when engine is hot. Hot coolant will scald you.

⚠ DANGER WARNING

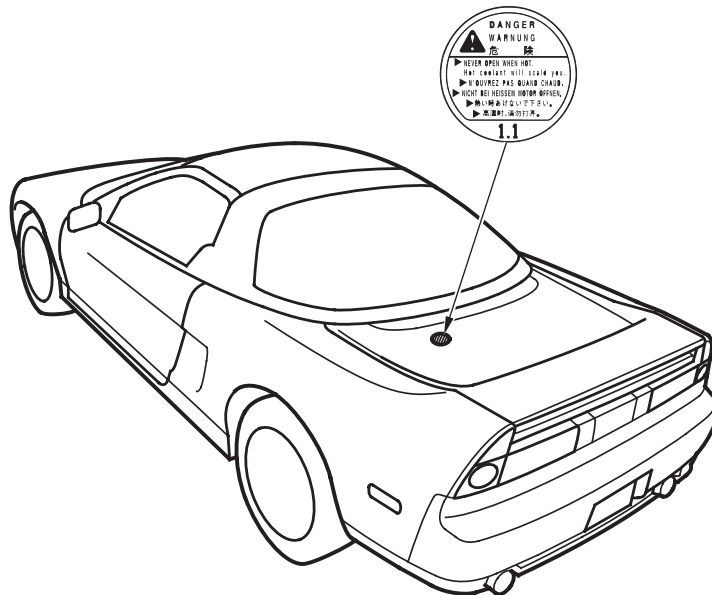
▶ N'OUVREZ PAS QUAND CHAUD.

▶ NICHT BEI HEISSEM MOTOR OFFNEN.

▶ 熱い時にあけるな。



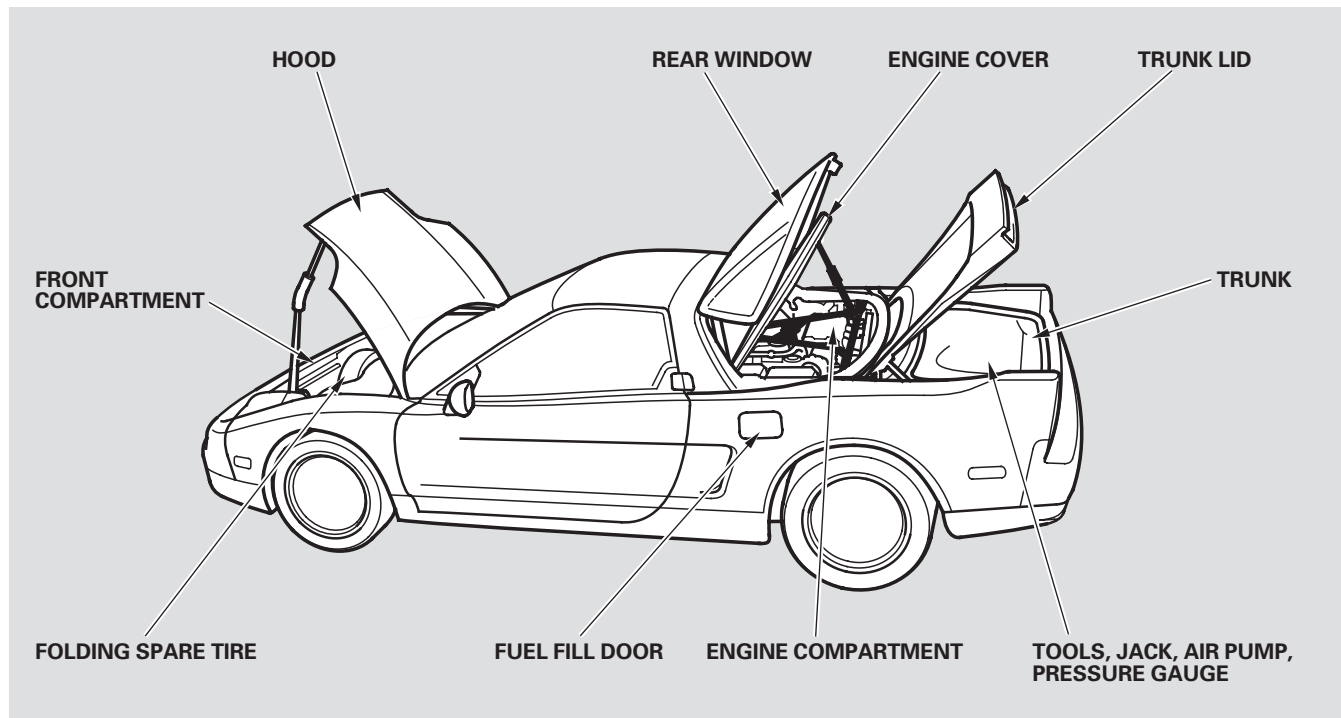
EXPANSION TANK CAP



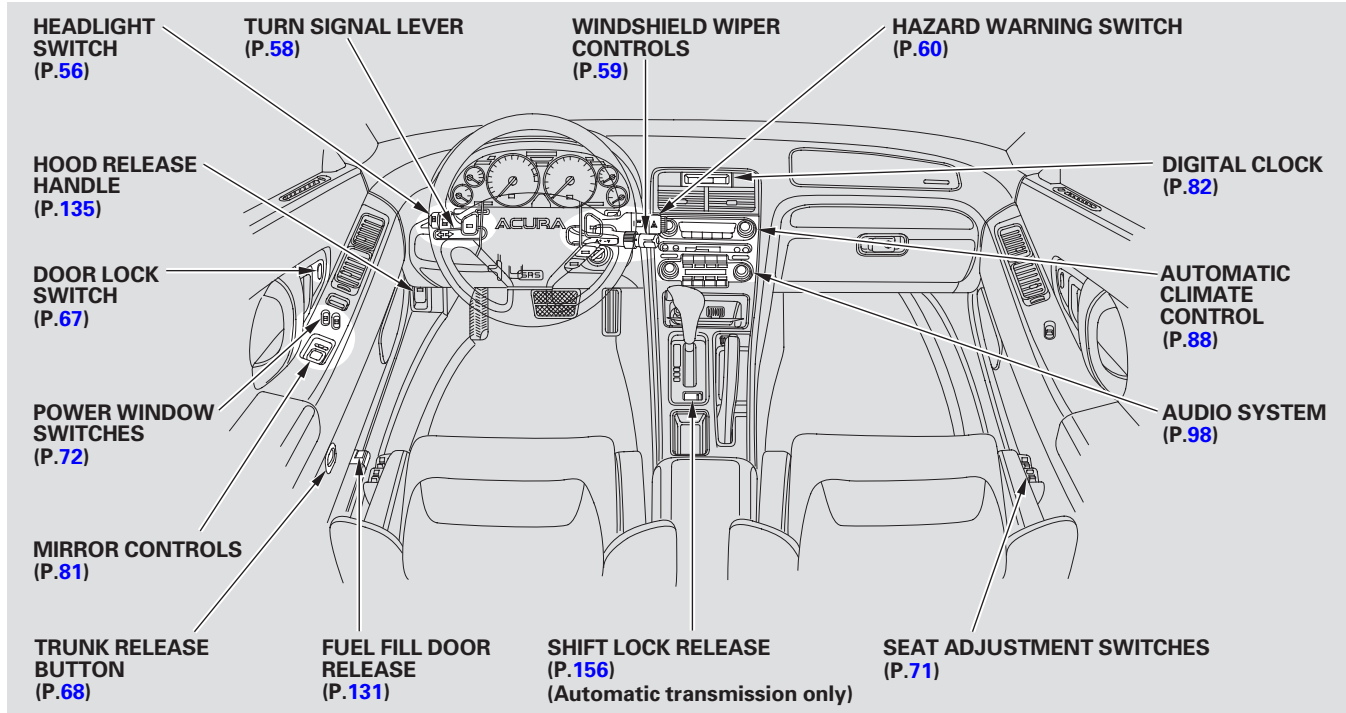
This section gives information about the controls and displays that contribute to the daily operation of your Acura. All the essential controls are within easy reach.

Component Locations	46	Power Door Locks.....	67
Control Locations	47	Trunk	68
Indicator Lights.....	48	Emergency Trunk Opener	69
Gauges	53	Glove Box	70
Speedometer	53	Seat Adjustments.....	71
Tachometer	53	Power Windows	72
Oil Pressure Gauge	53	Removable Roof Panel.....	74
Temperature Gauge.....	53	Removing and Storing.....	75
Voltmeter	54	Installing	78
Fuel Gauge	54	Roof Unlatched Indicator	79
Odometer.....	54	Maintenance.....	80
Trip Meter	55	To reduce the possibility of	
Steering Column Controls	55	leaks	80
Headlights	56	Mirrors.....	81
Daytime Running Lights.....	56	Adjusting the Power Mirrors	81
Rear Window Defogger	57	Digital Clock.....	82
Turn Signals	58	Parking Brake	83
Windshield Wipers	58	Console Compartment	84
Windshield Washers	59	Coin Holder	84
Hazard Warning.....	60	Beverage Holder.....	84
Cruise Control Master Switch ...	60	Cigarette Lighter	85
Steering Wheel Adjustment	60	Ashtray.....	85
Keys and Locks.....	62	Interior Lights.....	86
Keys.....	62	Courtesy Lights	86
Immobilizer System.....	64		
Ignition Switch	65		

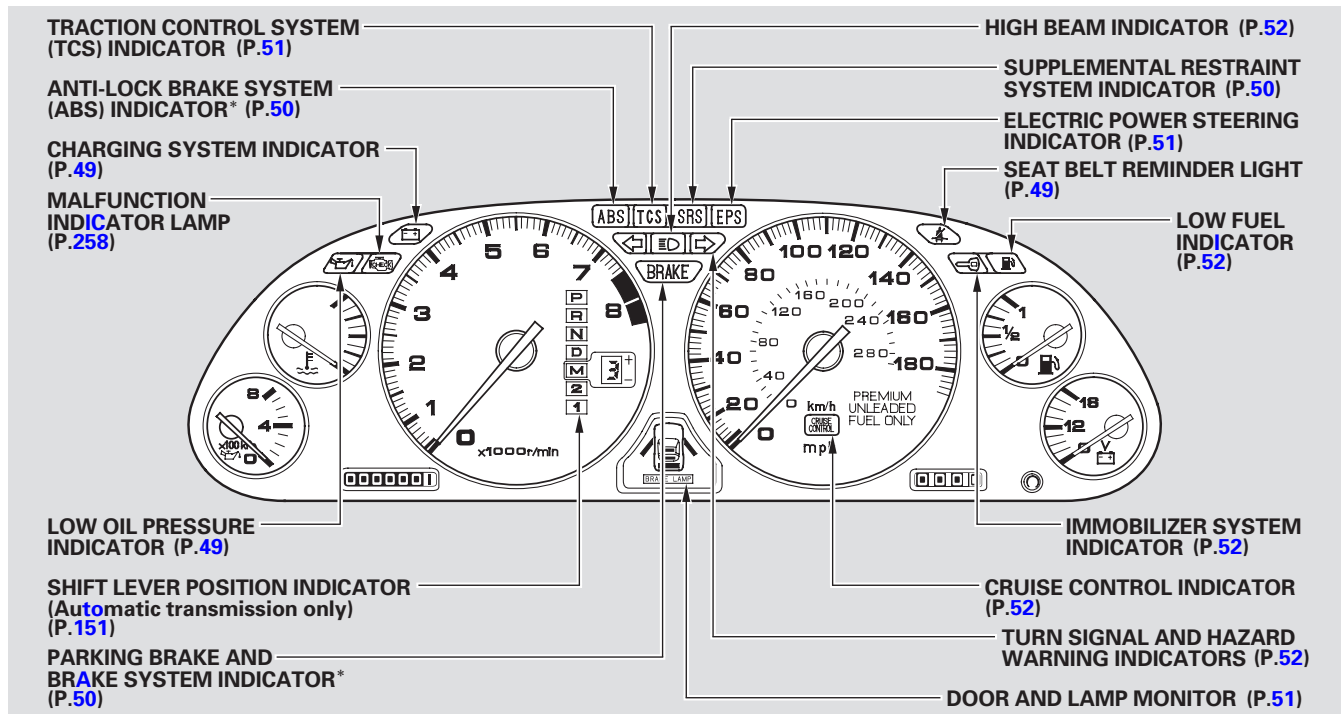
Component Locations



Control Locations



Indicator Lights



* The U.S. instrument panel is shown. Differences for the Canadian models are noted in the text.

The instrument panel has many indicators to give you important information about your car.



Seat Belt Reminder Light

This indicator flashes for several seconds when you turn the ignition ON (II). It flashes as a reminder to you and your passenger to fasten the seat belts. A beeper also sounds if you have not fastened your seat belt.

If you do not fasten your seat belt, the beeper will stop after a few seconds but the light stays on until you do. Both the light and the beeper stay off if you fasten your seat belt before turning on the ignition.



Low Oil Pressure Indicator

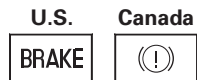
The engine can be severely damaged if this light flashes or stays on when the engine is running. For complete information, see page [256](#).



Charging System Indicator

If this light comes on when the engine is running, the battery is not being charged. For complete information, see page [257](#).

Indicator Lights



Parking Brake and Brake System Indicator

This light has two functions:

1. This indicator comes on when you turn the ignition switch ON (II). It is a reminder to check the parking brake. Driving with the parking brake not fully released can damage the brakes and tires.
2. If the indicator remains lit after you have fully released the parking brake while the engine is running, or if it comes on while driving, it can indicate a problem in the brake system. For complete information, see page [260](#).



Anti-lock Brake System (ABS) Indicator

This light normally comes on when you turn the ignition switch ON (II) and goes off after the engine starts. If it comes on at any other time, there is a problem in the ABS. If this happens, take the car to your dealer to have it checked. With the light on, your car still has normal braking ability but no anti-lock. For complete information, see page [159](#).



This indicator lights when you turn the ignition switch ON (II). If it comes on at any other time, it indicates a problem in the supplemental restraint system. For complete information, see page [39](#).



See page [258](#).

Door and Lamp Monitor



The appropriate light comes on in this display if the trunk, the roof panel, the rear window, or either door is not closed tightly. If a brake light does not work, the **BRAKE LAMP** indicator comes on when you push the brake pedal with the ignition switch ON (II).

A burned out brake light is a hazard when drivers behind you cannot tell you are braking. Have your brake lights repaired right away.

All the lights in the monitor display come on for a few seconds when you turn the ignition switch to ON (II).

EPS Electric Power Steering (EPS) Indicator

This light normally comes on when you turn the ignition ON (II) and goes off after the engine starts. If it comes on at any other time, there is a problem in the Electric Power Steering system. If this happens, stop the car in a safe place and turn off the engine. Reset the system by restarting the engine, and watch the EPS light. If it does not go off, or comes back on again while driving, take the car to your dealer to have it checked. With the light on, the EPS is turned off, making the car harder to steer.

TCS Traction Control System (TCS) Indicator

This indicator has three functions:

1. It comes on as a reminder that you have turned off the Traction Control System.
2. It flashes when the TCS is regulating the engine power.
3. If it comes on and stays on when the Traction Control System is on, it indicates that there is a problem in the TCS.

This light also comes on when you turn the ignition ON (II) and goes off after the engine starts. See page [163](#) for more information on the TCS.

Indicator Lights



Turn Signal and Hazard Warning Indicators

The left or right turn signal light blinks when you signal a lane change or turn. If the light does not blink or blinks rapidly, it usually means one of the turn signal bulbs is burned out (see page 220). Replace the bulb as soon as possible, since other drivers cannot see that you are signaling.

When you turn on the Hazard Warning switch, both turn signal lights blink. All turn signals on the outside of the car should flash.



High Beam Indicator

This light comes on with the high beam headlights. See page 56 for information on the headlight controls.



“Daytime Running Lights” Indicator

Canadian models only

This indicator lights when you turn the ignition switch to ON (II) with the headlight switch off and the parking brake set. It should go off if you turn on the headlights or release the parking brake. If it comes on at any other time, it means there is a problem with the DRL. There may also be a problem with the high beam headlights.



Immobilizer System Indicator

This indicator comes on for a few seconds when you turn the ignition switch ON (II). It will then go off if you have inserted a properly-coded ignition key. If it is not a properly-coded key, the indicator will blink and the engine will not start (see page 64).

This indicator also blinks several times when you remove the key from the ignition switch.



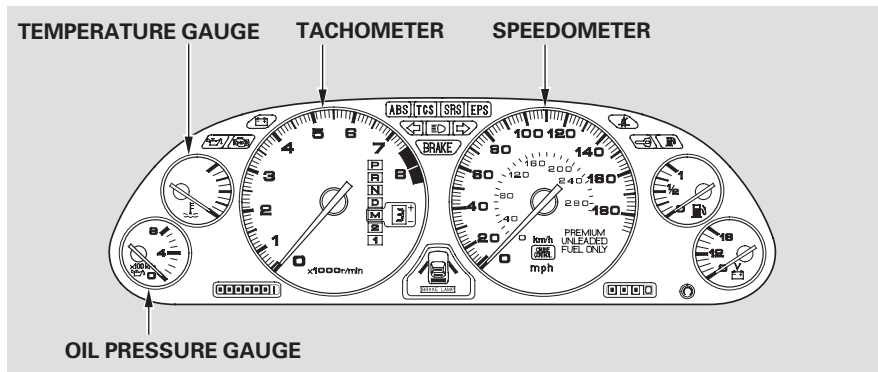
Cruise Control Indicator

This lights when you set the cruise control. See page 125 for information on operating the cruise control.



Low Fuel Indicator

This light comes on as a reminder that you must refuel soon.



Speedometer

U.S. Models

This shows your speed in miles per hour (mph). The smaller inner numbers are the speed in kilometers per hour (km/h).

Canadian Models

This shows your speed in kilometers per hour (km/h). The smaller inner numbers are the speed in miles per hour (mph).

Tachometer

The tachometer shows the engine speed in revolutions per minute (rpm). To protect the engine from damage, never drive with the tachometer needle in the red zone.

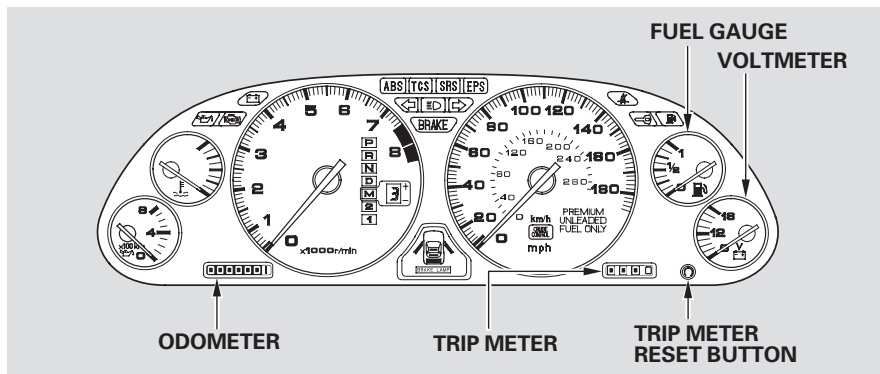
Oil Pressure Gauge

This shows the engine's oil pressure in hundred kilopascal ($\times 100$ kPa). This pressure varies with engine speed and temperature. If the oil pressure falls low enough to cause engine damage, the Low Oil Pressure Indicator comes on (see page 256).

Temperature Gauge

This shows the temperature of the engine's coolant. During normal operation, the pointer should rise from the bottom white mark to about the middle of the gauge. In severe driving conditions, such as very hot weather or a long period of uphill driving, the pointer may rise to near the upper white mark. If it reaches the red (Hot) mark, pull safely to the side of the road. Turn to page 254 for instructions and precautions on checking the engine's cooling system.

Gauges



Voltmeter

This meter shows you the battery voltage when the ignition is ON (II). A prolonged reading of lower than 11 volts can indicate a problem with the battery or charging system. Have your car inspected by your Acura dealer.

Fuel Gauge

This shows how much fuel you have. It is most accurate when the car is on level ground. It may show slightly more or less than the actual amount when you are driving on curvy or hilly roads.

The gauge stays at the same fuel level reading after you turn off the ignition. When you add fuel, the gauge slowly changes to the new reading after you turn the ignition switch back ON (II).

NOTICE

Avoid driving with an extremely low fuel level. Running out of fuel could cause the engine to misfire, damaging the catalytic converter.

Odometer

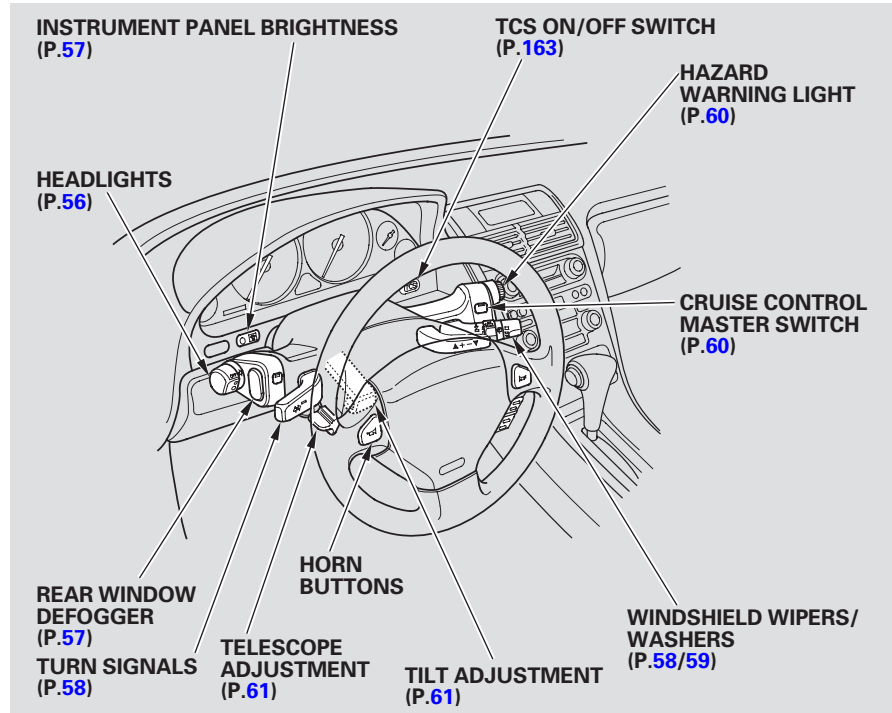
The odometer shows the total distance your car has been driven. It measures miles in U.S. models and kilometers in Canadian models. It is illegal under U.S. federal law and Canadian provincial regulations to disconnect, reset, or alter the odometer with the intent to change the number of miles or kilometers indicated.

Trip Meter

This meter shows the number of miles (U.S.) or kilometers (Canada) driven since you last reset it. To reset it, push the trip meter reset button.

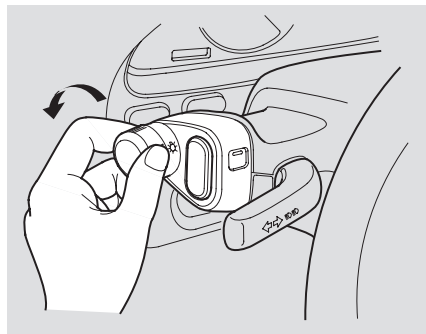
The two pods on the steering column contain controls for driving features you use most often. The left pod has controls for the turn signals, headlights, high beams, and the rear window defogger. The right pod has controls for the windshield wipers and wipers, cruise control and hazard warning lights. Underneath the instrument panel are the instrument panel brightness control and the TCS On/Off switch.

The two levers on the underside of the steering column allow you to tilt and telescope the steering wheel.



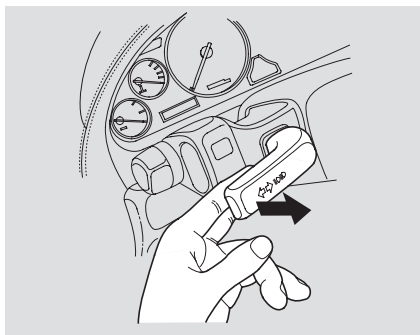
Steering Column Controls

Headlights



The rotating switch on the left pod controls the lights. Turning this switch to “●” turns on the parking lights, taillights, instrument panel lights, side-marker lights, and rear license plate lights. Turning the switch to “●●” turns on the headlights.

If you leave the lights on with the ignition switch in ACCESSORY (I) or LOCK (0), you will hear a reminder chime when you open the driver’s door.



To change between low beams and high beams, pull the turn signal lever as far as it will move towards you, then let go. The blue high beam indicator will light (see page 52).

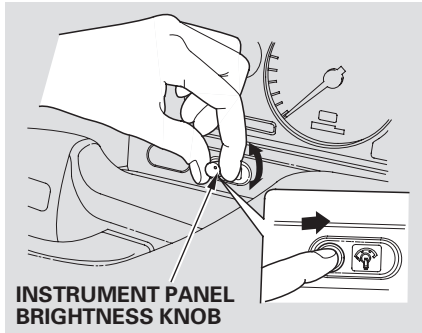
To flash the high beams, pull the turn signal lever back lightly, then release it. The high beams will come on and go off.

The high beams will stay on for as long as you hold the lever back, no matter what position the headlight switch is in.

Daytime Running Lights (Canadian Models)

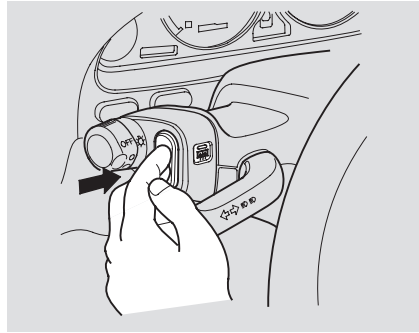
Your car has Daytime Running Lights (DRL) in addition to the headlights. With the ignition ON (II) and the light switch OFF or at “●”, DRL turns on when you release the parking brake. DRL turns off when you turn the ignition off or the headlights on.

Instrument Panel Brightness

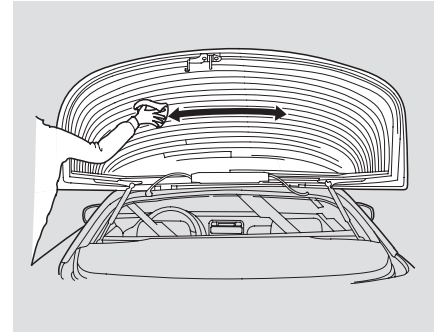


The knob on the dashboard behind the left pod controls the brightness of the instrument panel lights. Push the knob to get it to pop out. Turn the knob to adjust the brightness, then push it back in so you cannot accidentally bump it.

Rear Window Defogger



The rear window defogger will clear fog, frost, and thin ice from the window. Push the defogger button to turn it on and off. The light on the front of the pod lights to show the defogger is on. If you do not turn it off, the defogger will shut itself off after about 25 minutes. It also shuts off when you turn off the ignition. You have to turn it on again when you restart the car.



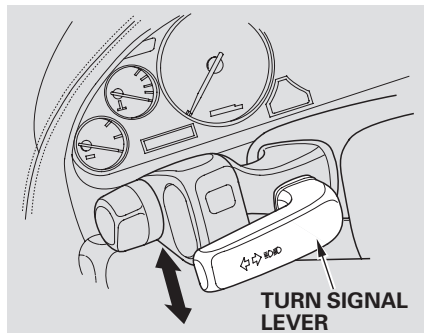
Make sure the rear window is clear and you have good visibility before starting to drive.

The defogger and antenna wires on the inside of the rear window can be accidentally damaged. When cleaning the glass, always wipe side to side.

CONTINUED

Steering Column Controls

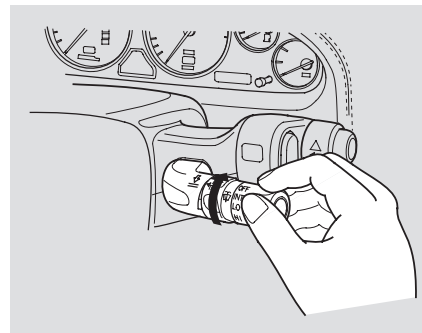
Turn Signals



Signal a turn or lane change with this lever. Push down on the lever to signal a left turn, and up to signal a right turn. If you push it up or down all the way, the turn signal continues to blink even when you release the lever. It shuts off automatically as you complete the turn.

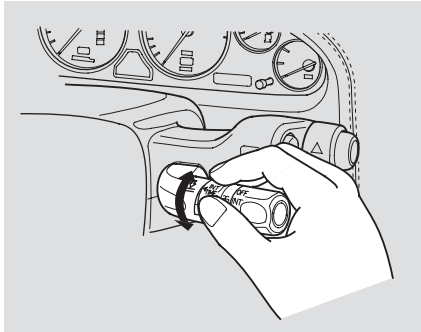
To signal a lane change, push lightly on the turn signal lever in the proper direction and hold it. The lever will return to the center position as soon as you release it.

Windshield Wipers

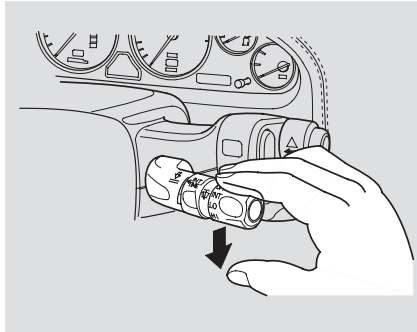


The lever on the right pod controls the windshield wipers and washers. The rotary switch at the end of the lever has three positions:

INT: intermittent
LO: low speed
HI: high speed

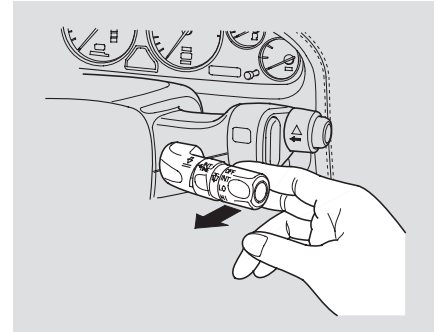


In intermittent, the wipers operate every few seconds. You can vary how often the wipers sweep the windshield by turning the INT TIME ring next to the rotary switch. In low speed and high speed, the wipers run continuously.



To operate the wipers in mist mode, push the control lever down. The wipers run at high speed until you release the lever. This gives you a quick way to clear the windshield.

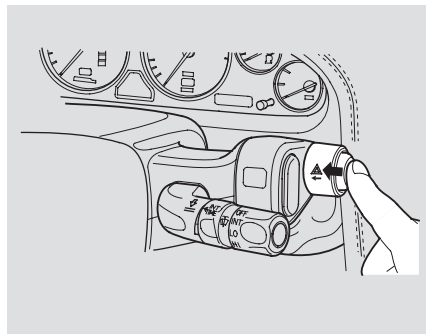
Windshield Washers



To clean the windshield, pull back on the wiper control lever. The washers spray until you release the lever. The wipers run at low speed while you're pulling the lever, then complete one more sweep of the windshield after you release it.

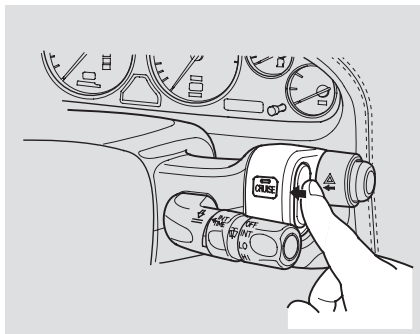
Steering Column Controls

Hazard Warning



Push the large red button on the right pod to turn on the hazard warning lights (four-way flashers). This causes all four outside turn signals and both indicators in the instrument panel to flash. Use the hazard warning lights if you need to park in a dangerous area near heavy traffic, or if your car is disabled.

Cruise Control Master Switch



The cruise control master switch is on the right pod. For information on using the cruise control, see page [125](#).

Steering Wheel Adjustment

See page [16](#) for important safety information about how to properly position the steering wheel.

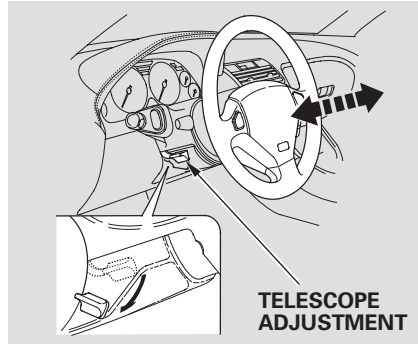
Make any steering wheel adjustment before you start driving.

After you have adjusted the steering wheel, make sure you have securely locked it in place by moving it in and out and up and down.

⚠ WARNING

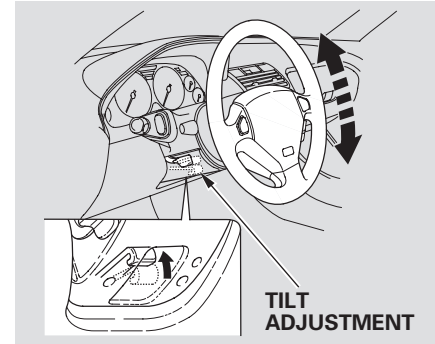
Adjusting the steering wheel position while driving may cause you to lose control of the car and be seriously injured in a crash.

Adjust the steering wheel only when the car is stopped.



To adjust the steering wheel:

1. The lever to telescope the steering wheel is under the steering column to the left. Push this lever all the way down.
2. Move the steering wheel in or out to the distance you want. Push the lever up firmly to lock the steering wheel in that position.
3. The lever to tilt the steering wheel is under the steering column in the

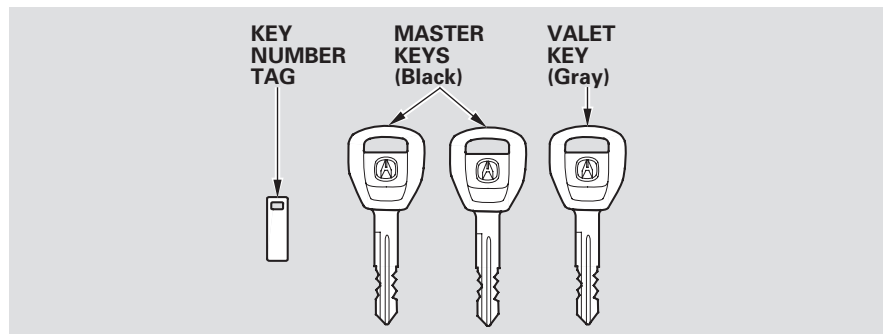


middle. Pull this lever toward you and hold it.

4. Move the steering wheel up or down to the desired position. Position the wheel so you can see the instrument panel gauges and warning lights. Release the lever.
5. Make sure you have securely locked the steering wheel in place by trying to move it up, down, in, and out.

Keys and Locks

Keys



Your car comes with two master keys and valet key. The master key fits all the locks on your car:

- Ignition
- Doors
- Trunk
- Glove box

The valet key only works the ignition and the door locks. You can keep the trunk and glove box locked when you leave your car and valet key at a parking facility. (See Trunk, page 68.)

You should have received a key number tag with your set of keys. You will need this number if you ever have to get a lost key replaced. Keep the tag stored in a safe place. When replacing keys, use only

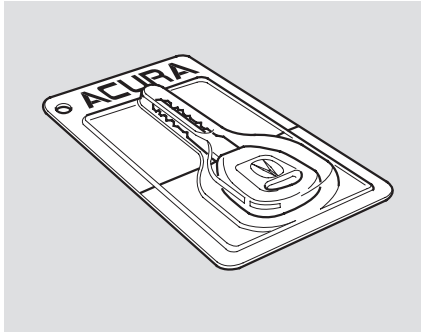
Acura-approved key blanks.

These keys contain electronic circuits that are activated by the Immobilizer System. They will not work to start the engine if the circuits are damaged.

- Protect the keys from direct sunlight, high temperature, and high humidity.
- Do not drop the keys or set heavy objects on them.
- Keep the keys away from liquids. If they get wet, dry them immediately with a soft cloth.

The keys do not contain batteries. Do not try to take them apart.

Learning Key



You should also receive a small case containing a learning key. It is used by the Acura dealer to code replacement keys to your car's Immobilizer System. It must not be used in your car's ignition switch. Store the learning key with the key number tag in a safe place.

If you attempt to use the learning key to start your car's engine, it may cause a malfunction in the system that makes your master and valet keys unusable. If this happens, you should contact your Acura dealer.

If you need a new key made, take the key number plate, the learning key, and all other keys that came with your car to your Acura dealer.

CONTINUED

Keys and Locks

Immobilizer System

The Immobilizer System protects your car from theft. A properly-coded ignition key must be used in the ignition switch for the engine to start. If an improperly-coded key (or other device) is used, the engine's fuel system is disabled.

When you turn the ignition switch to ON (II), the Immobilizer System indicator should come on for a few seconds, then go out. If the indicator starts to blink, it means the system does not recognize the coding of the key. Turn the ignition switch to LOCK (0), remove the key, reinsert it, and turn the switch to ON (II) again.

The system may not recognize your key's coding if another immobilizer key or other metal object is near the ignition switch when you insert the key. To make sure the system recognizes the key code:

- Do not keep other immobilizer keys on the same key ring.
- Use a plastic or leather key fob, not metal.
- Keep other keys away from your vehicle's key and the ignition switch while trying to start the engine.

If the system repeatedly does not recognize the coding of your key, contact your Acura dealer. Do not attempt to alter this system or add other devices to it. Electrical problems could result that may make your car undriveable.

If you have lost your key and you cannot start the engine, contact your Acura dealer.

As required by the FCC:

This device complies with Part 15 of the FCC rules. Operation is subject to the following two conditions: (1) This device may not cause harmful interference, and (2) this device must accept any interference received, including interference that may cause undesired operation.

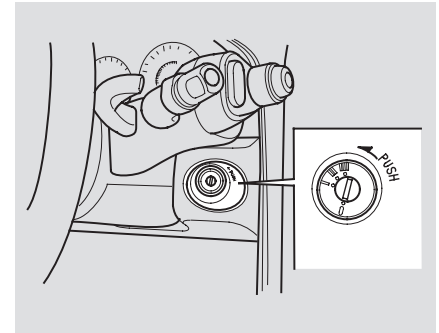
Changes or modifications not expressly approved by the party responsible for compliance could void the user's authority to operate the equipment.

This device complies with Industry Canada Standard RSS-210.

Operation is subject to the following two conditions:

- (1) this device may not cause interference, and*
- (2) this device must accept any interference that may cause undesired operation of the device.*

Ignition Switch



The ignition switch is on the right side of the steering column. It has four positions:

- LOCK (0)
- ACCESSORY (I)
- ON (II)
- START (III)

CONTINUED

Keys and Locks

LOCK (0) – You can insert or remove the key only in this position. To switch from ACCESSORY to LOCK, you must push the key in slightly as you turn it. If your car has an automatic transmission, the shift lever must also be in Park. The anti-theft lock will lock the steering column when you remove the key.

If the front wheels are turned, the anti-theft lock may sometimes make it difficult to turn the key from LOCK to ACCESSORY. Firmly turn the steering wheel to the left or to the right as you turn the key.

WARNING

Removing the key from the ignition switch while driving locks the steering. This can cause you to lose control.

Remove the key from the ignition switch only when parked.

ACCESSORY (I) – In this position, you can operate the audio system and the cigarette lighter.

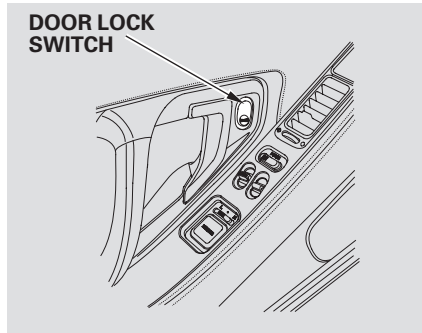
ON (II) – This is the normal key position when driving. All features and accessories on the car are usable. Several of the lights on the instrument panel come on as a test when you turn the ignition switch from ACCESSORY to ON.

START (III) – Use this position only to start the engine. The switch returns to ON (II) when you let go of the key.

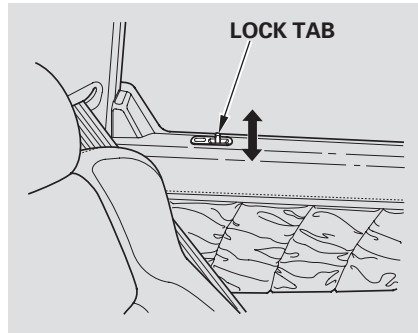
The engine will not start if the Immobilizer System does not recognize the key's coding (see page 64).

You will hear a reminder beeper if you leave the key in the ignition switch in the LOCK (0) or ACCESSORY (I) position and open the driver's door. Remove the key to turn off the beeper.

Power Door Locks



Each door has a door lock switch. Either switch locks and unlocks both doors. Push LOCK to lock both doors, and the top portion of the switch to unlock them.



Each door also has a lock tab on the top. When you push down the lock tab on the driver's door, both doors lock. Pulling up the lock tab on the driver's door only unlocks that door. The lock tab on the passenger's door only locks and unlocks that door. To get out of the car, pull each lock tab up or use the door lock switch before you open either door.

Both doors will lock when you use the key to lock either door from the outside. Unlocking the driver's door with the key unlocks only that door. Unlocking the passenger's door with the key unlocks both doors.

To lock the door without the key, push the lock tab down and close the door.

CONTINUED

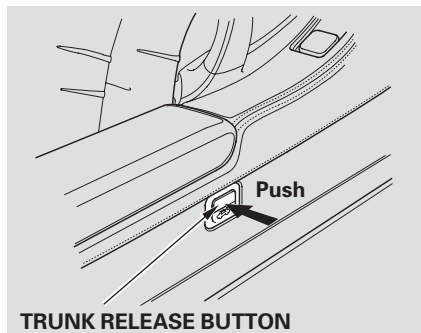
Keys and Locks

Lockout Prevention

If you forget and leave the key in the ignition switch, Lockout Prevention will not allow you to lock the driver's door. With the driver's door open and the key in the ignition, both door lock switches are disabled.

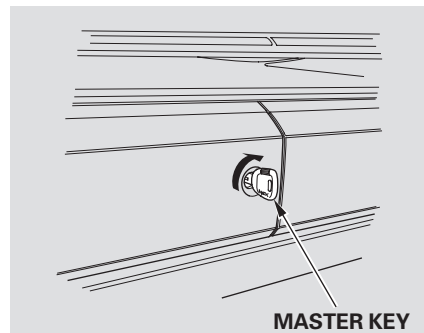
If you try to lock an open driver's door by pushing the lock tab down, the tabs on both doors pop up. Pushing the lock tab down on the passenger's door only locks that door.

Trunk



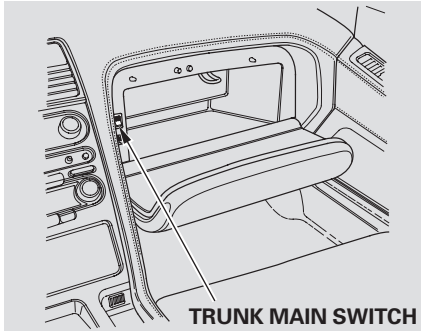
You can open the trunk in two ways:

- Press the trunk release button on the driver's door.
- Use the master key to open the trunk lock. The valet key does not work in this lock.



To close the trunk, press down on the trunk lid. Do not press down on the rear spoiler as you may damage it.

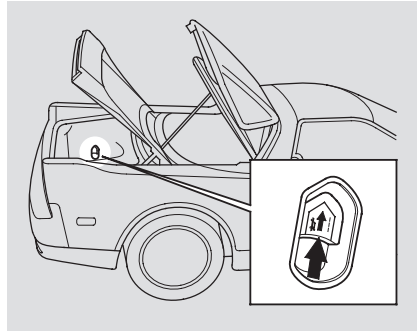
See page [141](#) for loading cargo and weight limit information. Keep the trunk lid closed at all times while driving to avoid damaging it.



To protect items in the trunk when you need to give the key to someone else:

1. Disable the trunk release button by turning off the trunk main switch in the glove box.
2. Lock the glove box with the master key.
3. Give the person the valet key.

Emergency Trunk Opener



As a safety feature, your car has a release lever on the trunk latch so the trunk can be opened from the inside.

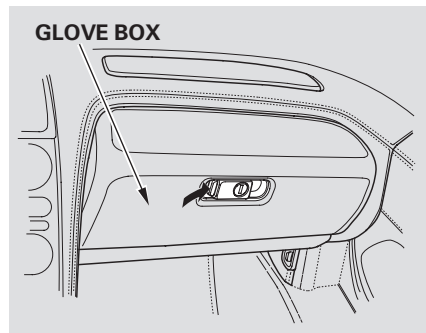
To open the trunk, push up the release lever.

Parents should decide if their children should be shown how to use this feature.

For more information about child safety, see page [22](#).

Keys and Locks

Glove Box



Open the glove box by squeezing the handle. Close it with a firm push. Lock or unlock the glove box with the master key.

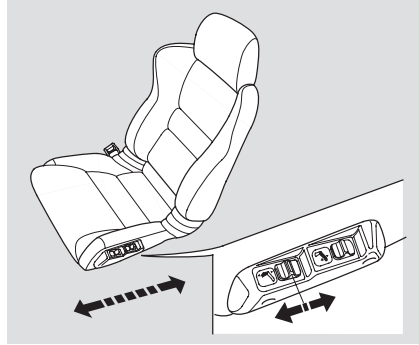
⚠ WARNING

An open glove box can cause serious injury to your passenger in a crash, even if the passenger is wearing the seat belt.

Always keep the glove box closed while driving.

The glove box light comes on only when the instrument panel lights are on.

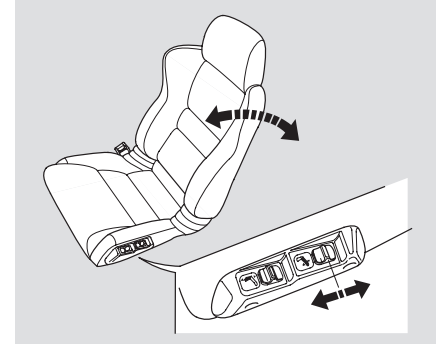
See pages 12 – 14 for important safety information and warnings about how to properly position seats and seat-backs.



Adjust the seat before you start driving.

The power seats in your car are adjusted with the two switches on the outside of the seat bottom.

Push the front switch forward or backward to adjust the distance to the steering wheel and pedals.

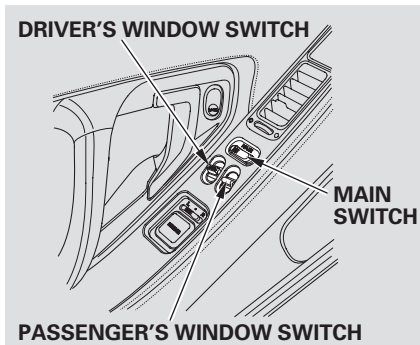


Adjust the seat-back angle by pushing the rear switch in the direction you want to move.

You can adjust the power seats with the ignition switch in any position.

Power Windows

Your car's windows are electrically-powered. Turn the ignition switch to ON (II) to raise or lower either window.



Each window has its own control switch. To open the window, push the switch down and hold it. Release the switch when you want the window to stop. Close the window by pushing the switch up and holding it.

The driver's armrest has a master power window control panel. To open the passenger's window, push down on the switch and hold it down until the window reaches the desired position. To close the window, push up on the window switch. Release the switch when the window gets to the position you want.

WARNING

Closing a power window on someone's hands or fingers can cause serious injury.

Make sure your passenger is away from the window before closing it.

The master control panel also contains these extra features:

AUTO — To open the driver's window fully, push the window switch firmly down and release it. The window automatically goes all the way down. To stop the window from going all the way down, push the window switch up briefly.

To open the driver's window only partially, push the window switch down lightly and hold it. The window will stop as soon as you release the switch.

The AUTO function only works to lower the driver's window. To raise the window, you must push the window switch up and hold it until the window reaches the desired position.

The MAIN switch controls power to the passenger's window. With this switch off, the passenger's window cannot be raised or lowered. The MAIN switch does not affect the driver's window. Keep the MAIN switch off when you have a child in the car so the child does not get injured by operating the window unintentionally.

The power window system has a key-off delay function. The windows will still operate for up to ten minutes after you turn off the ignition. Opening either door cancels the delay function. You must turn the ignition switch ON (II) again before you can raise or lower the windows.

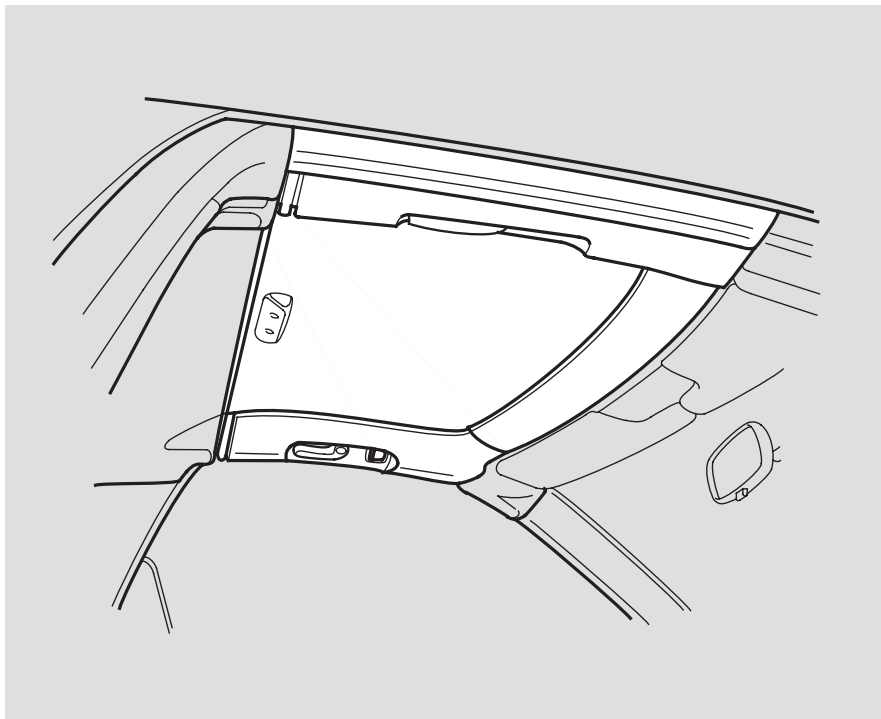
Removable Roof Panel

Your Acura's roof panel has a single release handle on each side, making it easy to remove and install. When not in use, the roof panel can be stored in a special holder under the rear window.

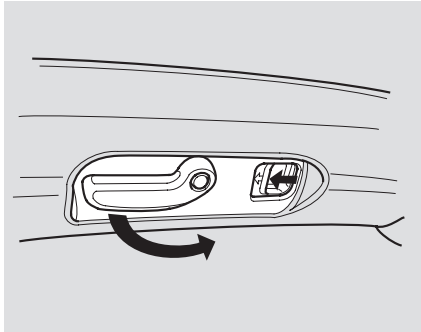
Always clean and dry the roof panel before you remove it so dirt and water do not fall in the interior and engine compartment.

Do not put any items other than the roof panel in the roof holder or you can damage the roof holder.

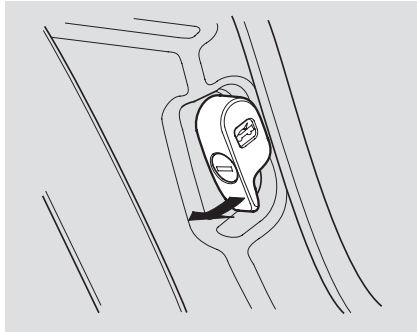
One person should be able to remove and install the roof panel. Although the panel is not heavy, you may find it awkward to handle because of its size. If so, get someone to assist you so you do not damage the panel.



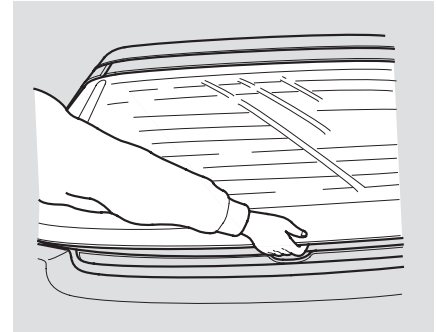
Removing and Storing



1. Open both windows.
2. Turn off the engine and set the parking brake.
3. Release each side of the roof by pushing the lock tab sideways and pulling down the release lever.



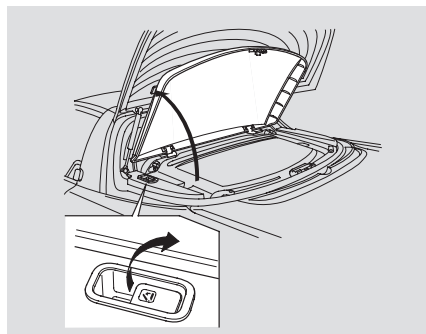
4. Open the door. Locate the rear window release handle on the rear of the driver's door opening, next to the seat. Pivot this handle towards the driver's seat. The rear window will pop up slightly.



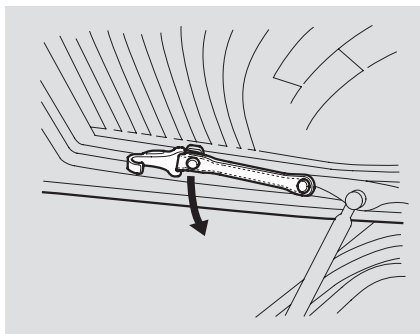
5. Stand just behind the driver's door. Reach under the rear edge of the window and raise it. It will stay up by itself.

CONTINUED

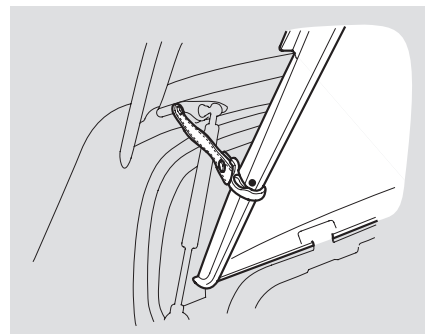
Removable Roof Panel



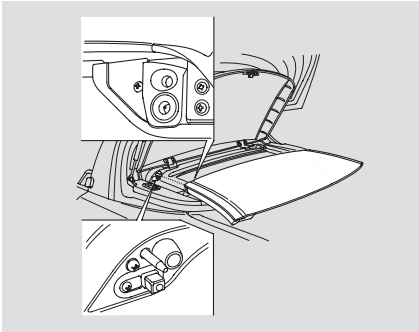
6. Pull up the roof cover release lever and raise the roof cover.



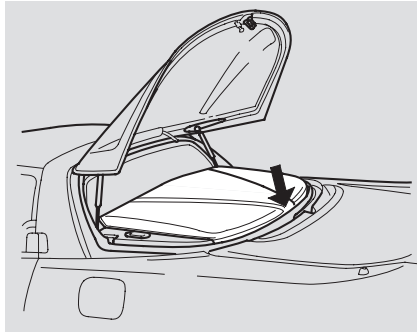
7. Unsnap the hook end of the strap from the rear window frame.



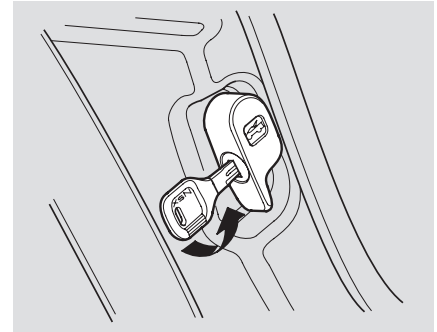
8. Put the hook around the edge of the roof cover to hold it up.



9. Lift the roof straight up off the car. Since the roof must go in the holder backwards, it is recommended that you carry it around to the opposite side of the car.
10. Place the roof in the holder with the rear facing forward. Make sure the pins at both front corners of the holder are in the holes in the roof panel.



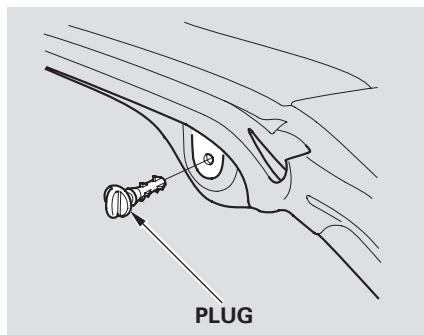
11. Lower the roof cover and push it down until it latches. Snap the hook on the window frame.
12. Pull the rear window down until it is resting on the body, then push on the center of the back edge until it latches. Make sure it is securely closed before driving away.



To prevent anyone from getting to the roof panel and the engine when you park the car with the roof removed, lock the rear window release lever with the master key.

CONTINUED

Removable Roof Panel



If the wind noise is unpleasant while you are driving with the roof panel removed, you can reduce the noise by inserting a plug in the hole located at each side of the rear roof pillar. These plugs are stored in the glove box.

Do not use any plugs other than the ones that came with your car. Other objects may damage the mechanism in the roof pillar, causing the roof

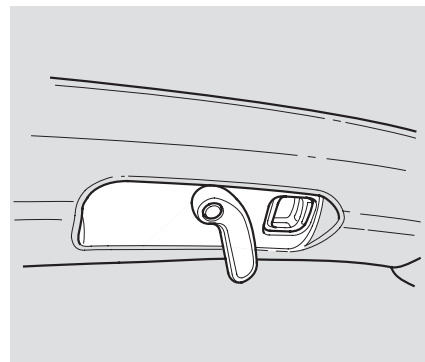
panel mechanism to jam or to not latch the roof properly.

Installing

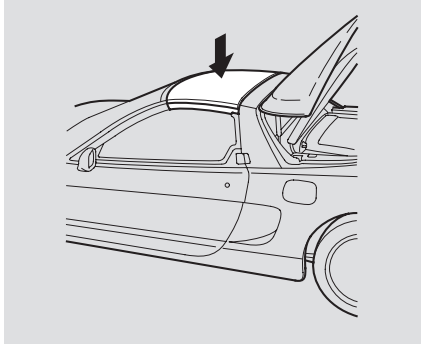
Because it is stored above the engine compartment, the roof panel can get hot while driving. Allow it to cool down for several minutes before attempting to remove it from the roof holder.

1. Open both windows.
2. Turn off the engine and set the parking brake.
3. Remove the plugs from the rear pillars.
4. Open the rear window (see page 75).
5. Open the roof cover by pulling up the release lever. Unsnap the hook from the window frame and use it to hold up the roof cover.

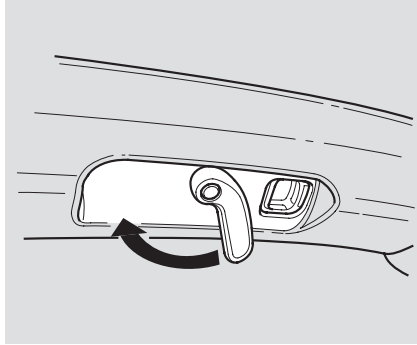
6. Remove the roof from the holder by pulling it up slightly, then back.



7. Make sure the roof panel release levers are in the unlocked (down) position.

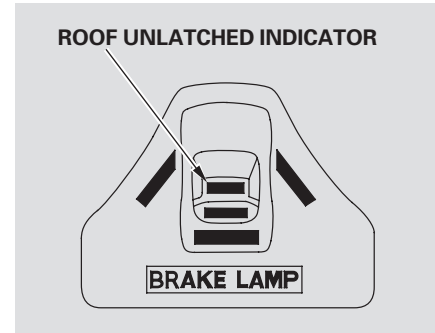


8. Set the roof in place on the car. Make sure all four corners are sitting flush with the car body.



9. Secure the roof by turning each release lever until the lock tab clicks forward. Pull on the levers to make sure they are locked. If the release levers are locked correctly, the roof unlatched indicator will not light when you turn the ignition ON (II).
10. Close the roof cover and snap the hook onto the window frame. Close the rear window.

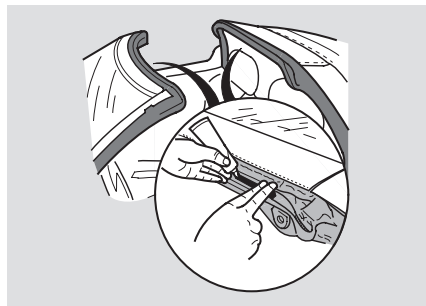
Roof Unlatched Indicator



This indicator lights when the roof is installed if either release lever is not fully locked. Check both release levers to make sure they are locked. This indicator also lights when the roof is removed but is not properly stored in the holder.

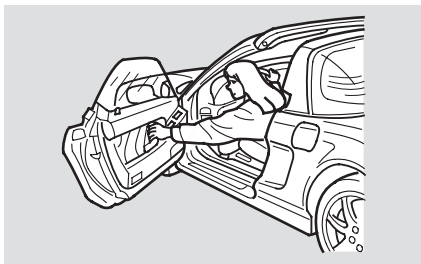
Removable Roof Panel

Maintenance



Dust is the main cause of creaks or other sounds coming from the roof. Regularly clean the roof panel and body seals with glass cleaner and a soft cloth.

Every three to six months, depending on how often the roof is removed, rub a thin film of Shin-Etsu Silicone grease (available from your Acura dealer, P/N 08798-9013) onto the seals wherever they touch the roof panel or each other.



To reduce the possibility of leaks:

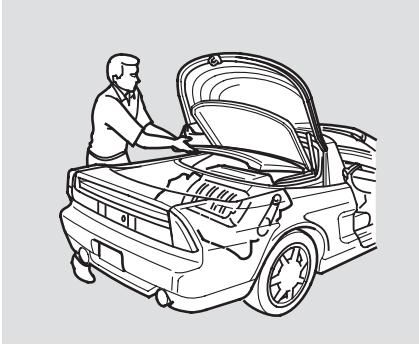
- Use the door pull to open and close the door. Do not push or pull on the door glass.



- Do not lean or sit on an open door.

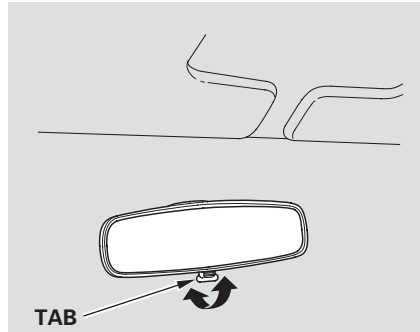


- The roof panel seals are designed to promote the flow of water off the roof. Spraying high pressure water directly on the seals can distort them, causing a leak. Use only a low pressure water stream when using a hose, and avoid car washes that use only high pressure water spray for cleaning.
- Avoid getting water in the roof holder. This can damage the switch that senses the roof is stored, causing the instrument panel light to stay on.



- When the seals are new, the glass will seal more tightly if you open the door slightly before closing the window.
- Never store any items other than the roof panel in the holder. Because it is above the engine, the holder can get very warm.

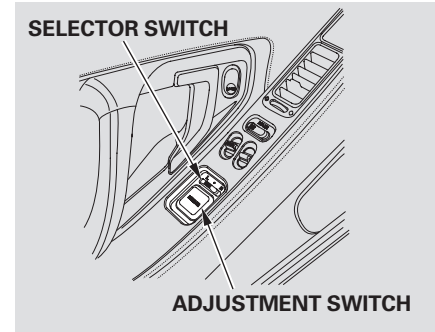
Mirrors



Keep the inside and outside mirrors clean and adjusted for best visibility. Be sure to adjust the mirrors before you start driving.

The inside mirror has day and night positions. The night position reduces glare from headlights behind you. Flip the tab on the bottom edge of the mirror to select the day or night position.

Adjusting the Power Mirrors

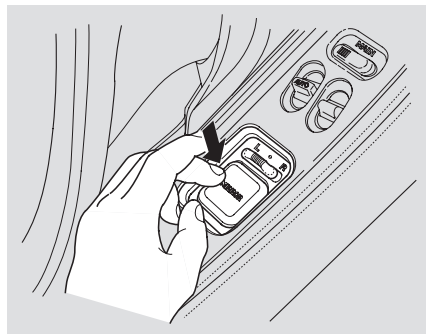


Adjust the outside mirrors with the adjustment switch on the driver's door armrest:

1. Turn the ignition switch ON (II).
2. Move the selector switch to L (driver's side) or R (passenger's side).

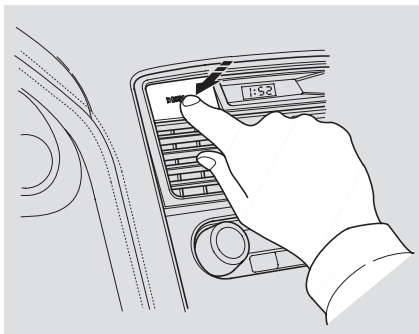
CONTINUED

Mirrors, Digital Clock

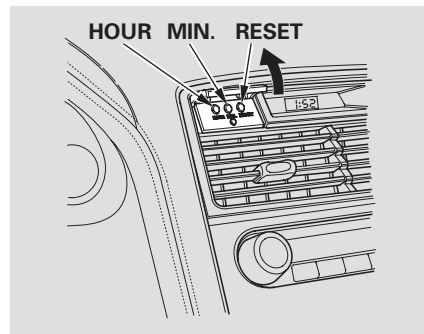


3. Push the appropriate edge of the adjustment switch to move the mirror right, left, up, or down.
4. When you finish, move the selector switch to the center (off) position. This turns off the adjustment switch so you can't move a mirror out of position by accidentally bumping the switch.

Digital Clock



The digital clock displays the time with the ignition switch ON (II). To see the time with the ignition off, press and hold the DISPLAY button.



To set the clock:

1. Turn the ignition switch ON (II) to display the time.
2. Raise the lid to the left of the clock display. You will see HOUR, MIN., and RESET buttons.
3. Press and hold the HOUR button until the hour advances to the desired hour.

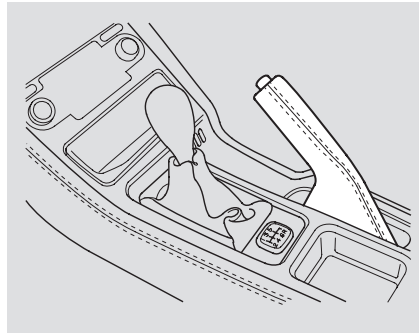
4. Press and hold the MIN. button until the numbers advance to the desired time.

You can use the RESET button to quickly set the time to the nearest hour. If the displayed time is before the half hour, pressing the RESET button sets the clock back to the previous hour. If the displayed time is after the half hour, pressing the RESET button sets the clock forward to the beginning of the next hour.

For example:

- 1:06 would RESET to 1:00.
- 1:52 would RESET to 2:00.

Parking Brake



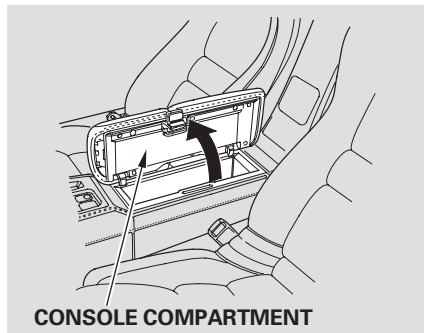
To apply the parking brake, pull the lever up fully. To release it, pull up slightly, push the button, and lower the lever. The parking brake light on the instrument panel should go out when the parking brake is fully released (see page 49). If you try to drive the vehicle without releasing the parking brake, the ABS indicator may come on, and the ABS may not work properly.

NOTICE

Driving the car with the parking brake applied can damage the rear brakes and axles.

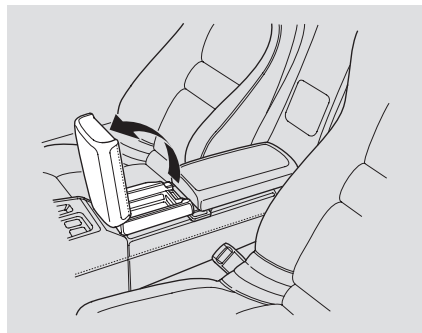
Console Compartment, Coin Holder, Beverage Holder

Console Compartment



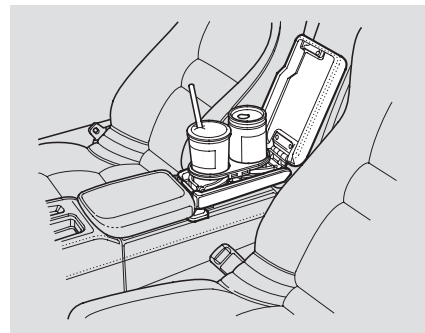
To open the console compartment, lift the tab on the left edge.

Coin Holder



The coin holder is located in the front half of the console compartment lid. Open the coin holder by lifting up on the middle of the armrest pad.

Beverage Holder



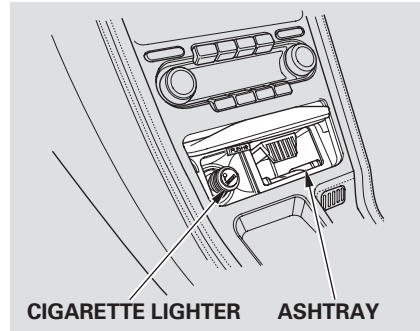
The beverage holder is located in the rear half of the console compartment lid. To use the beverage holder, lift up on the middle of the armrest pad.

To remove the beverage holder for cleaning, lift up on the front edge of the holder's front ring. To reinstall it, align the rear tab in the slot and push down on the front of the holder.

Beverage Holder, Cigarette Lighter, Ashtray

Be careful when you are using the beverage holder. A spilled liquid that is very hot can scald you or your passenger. Spilled liquids can also damage the upholstery, carpeting, and electrical components in the interior.

Cigarette Lighter



The ignition switch must be in ACCESSORY (I) or ON (II) for the cigarette lighter to work. To heat up the lighter, push it in. It will pop out when it is ready for use. Do not hold the lighter in while it is heating up, you could cause it to overheat.

Ashtray



Open the ashtray by lifting the lid up. To close the ashtray, push the lid down. To remove it for emptying, lift the lid up to the open position, and push it up further. The ashtray will pop out slightly so you can grasp it and pull it all the way out. After emptying, push it all the way back in.

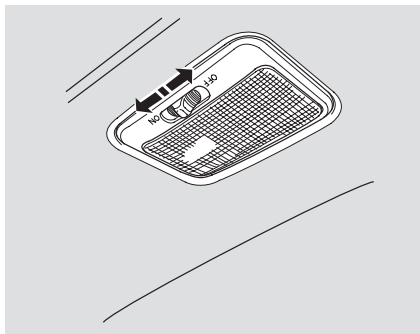
CONTINUED

Ashtray, Interior Lights, Courtesy Lights

NOTICE

Use the ashtray only for cigarettes, cigars, and other smoking materials. To prevent a possible fire and damage to your car, don't put paper or other things that can burn in the ashtray.

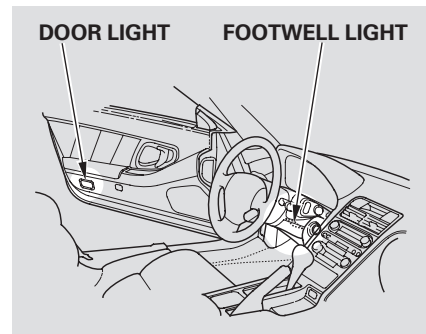
Interior Lights



The interior light is located in the center of the headliner.

The interior light has a three-position switch. In the OFF position, the light does not come on. In the center position, the interior light comes on when you open either door. In the ON position, the interior light stays on continuously.

Courtesy Lights



When you open the driver's door, the light for the driver's footwell turns on to assist you.

This light stays on for a few seconds after you close the door.

Each door has a light near the back edge. This light comes on whenever the door is open.

Comfort and Convenience Features

Climate Control System.....	88
Fully-automatic Operation.....	89
Semi-automatic Operation.....	91
Air Conditioning Switch.....	91
Mode Button.....	92
Recirculated and Fresh Air ...	96
Fan Speed.....	96
Temperature Sensors.....	97
Audio System.....	98
Operating the Radio.....	99
Finding a Radio Station.....	100
Adjusting the Sound.....	103
Audio System Lighting.....	104
Radio Frequencies.....	104
Radio Reception.....	104
Operating the Cassette Player.....	106
Cassette Search Functions.....	109
Caring for the Cassette Player.....	114
Operating the CD Changer.....	116
CD Error Indications.....	123
Security System.....	124
Cruise Control.....	125

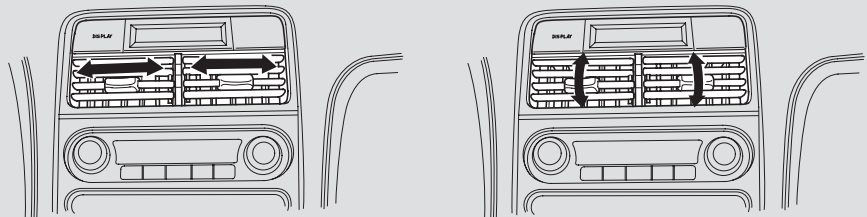
Climate Control System

The automatic climate control system in your Acura picks the proper combination of air conditioning, heating, and ventilation to maintain the interior temperature you select. The system also adjusts the fan speed and air flow levels.

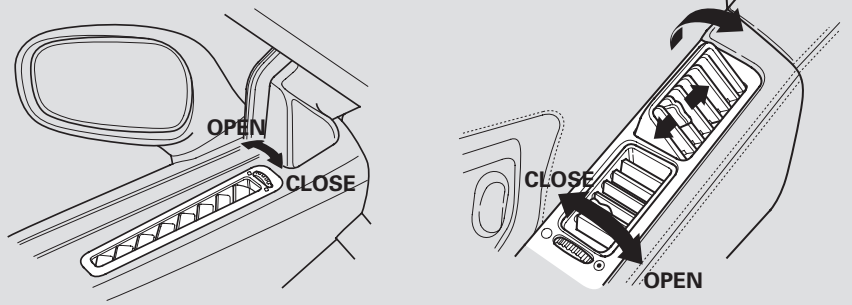
The direction of air flow from the vents in the center of the dashboard and in each armrest is adjustable. Move the tab in the center of each vent up-and-down and side-to-side.

The vents on top of each door and in each armrest can be opened and closed with the dial next to them.

CENTER VENTS





DOOR VENTS

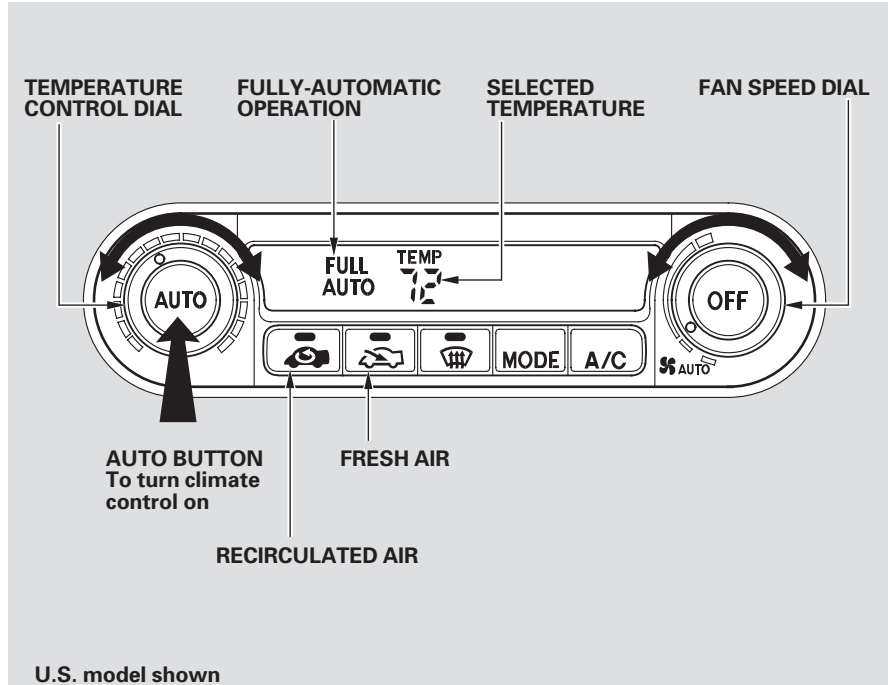


The climate control system draws air through the exterior vents at the bottom of the windshield. Keep these vents clear of leaves and other debris.

For the climate control system to provide heating and cooling, the engine must be running.

Fully-automatic Operation

To put the Automatic Climate Control in fully-automatic mode, press the AUTO button, set the desired temperature by turning the temperature control dial and turn the fan speed dial to AUTO. You will see FULL AUTO in the system's display. The light in either the  or  button also goes on to show you which is selected.



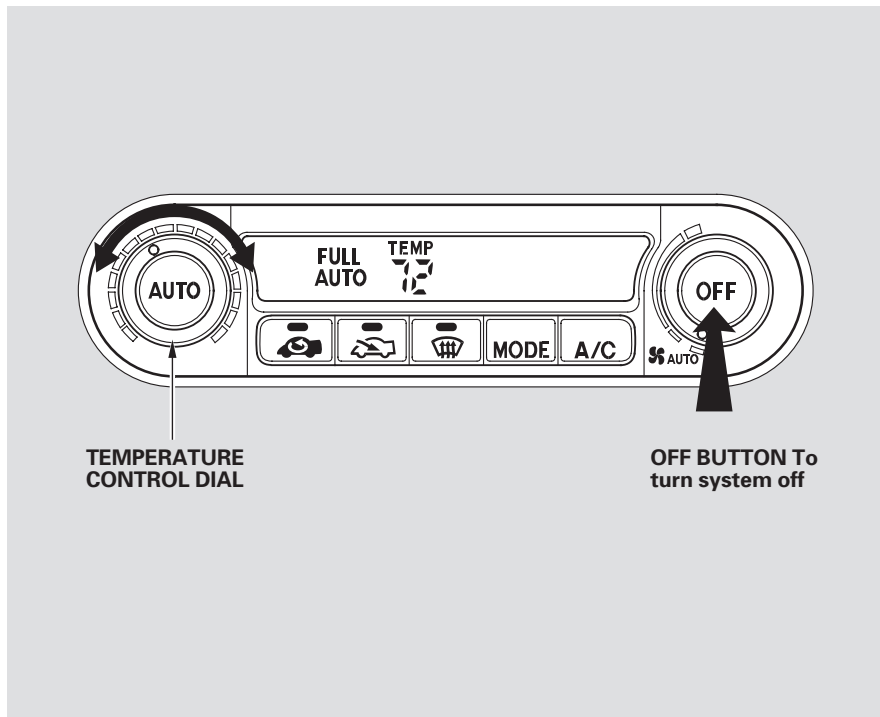
CONTINUED

Climate Control System

When you set the temperature to its lower limit (60°F/18°C) or its upper limit (90°F/32°C), the system runs at full cooling or heating only. It does not regulate the interior temperature. When the temperature is set between the lower and upper limits, the system regulates the interior temperature to the set value.

In cold weather, the fan will not come on automatically until the vehicle has been driven for a short time and the heater starts to develop warm air.

Pressing the OFF button shuts the climate control system completely off. Keep the system completely off only for short periods. To keep stale air and mustiness from collecting, you should have the fan running at all times.

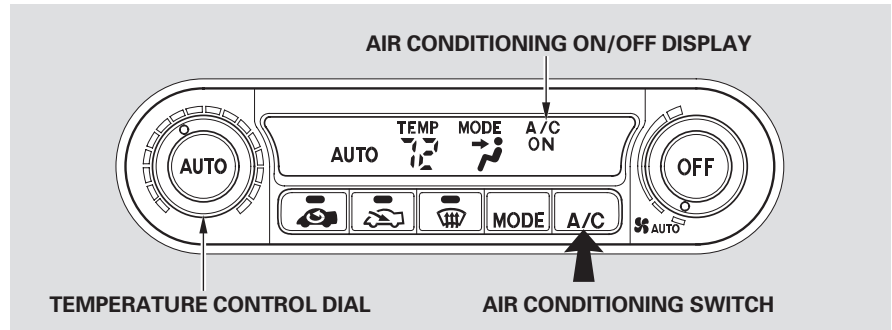
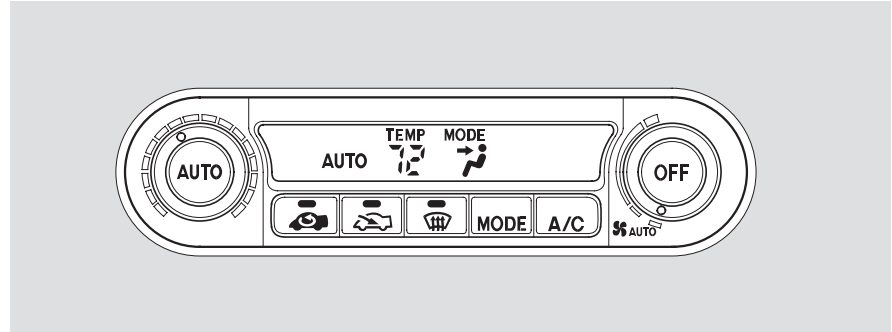


Semi-automatic Operation

You can manually select various functions of the Climate Control system when it is in FULL AUTO. All other features remain automatically controlled. Making any manual selection causes the word FULL to go out.

Air Conditioning Switch

Pressing the A/C switch turns the air conditioning on and off. You will see ON or OFF in the display. When you turn the A/C off, the system cannot regulate the inside temperature if you set the dial below the outside air temperature. With the A/C on, use the temperature control dial to adjust the temperature of the air flow to a comfortable setting.




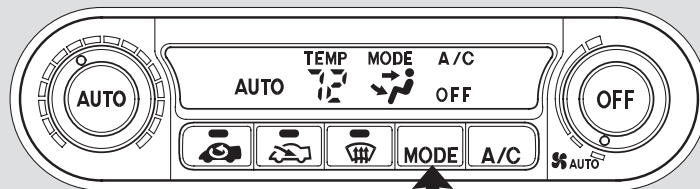
CONTINUED

Climate Control System

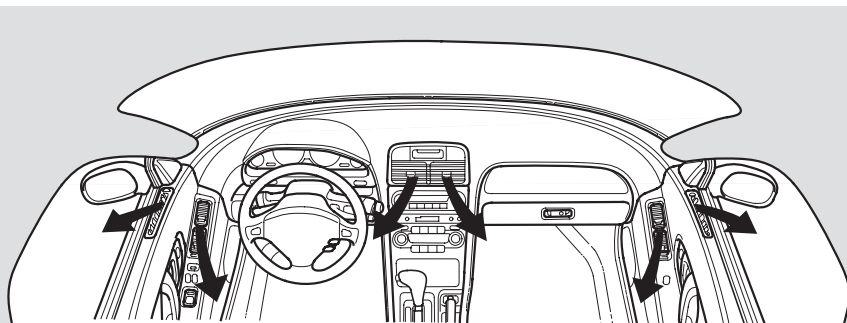
Mode Button


Use the MODE button to select the vents the air flows from. Some air will flow from the dashboard corner vents in all modes. Each time you press the MODE button, the display shows the mode selected. Press the button four times to see all the modes.

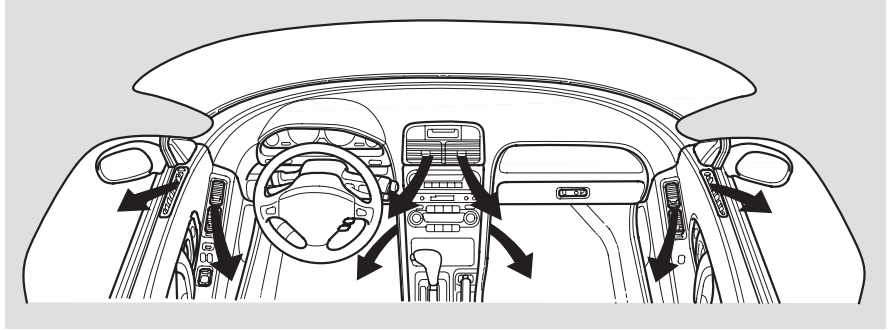
 The main air flow comes out of the dashboard and door vents. Close the door vents when using the air conditioning or the windows may fog up.



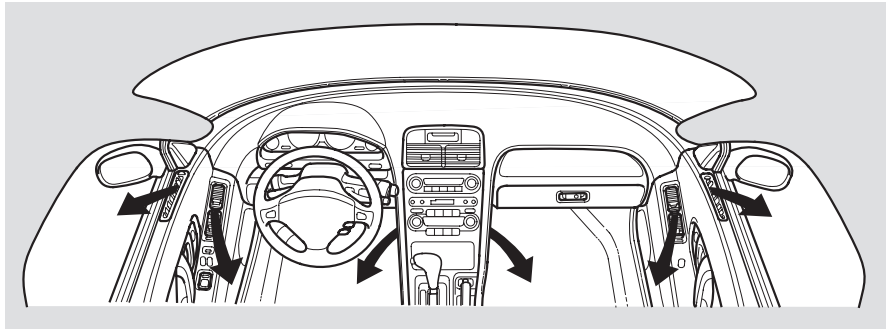
To manually select air flow direction



 The main air flow is divided between the dashboard/door vents and the floor vents.




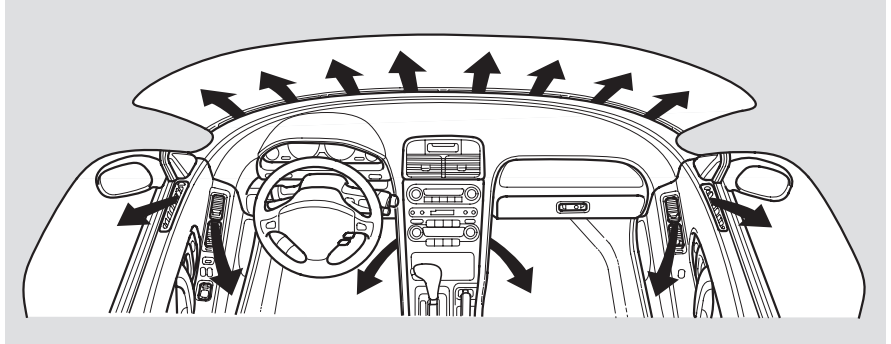
 The main air flow comes from the floor vents.




CONTINUED


Climate Control System



 The main air flow is divided between the floor vents and windshield defroster vents.

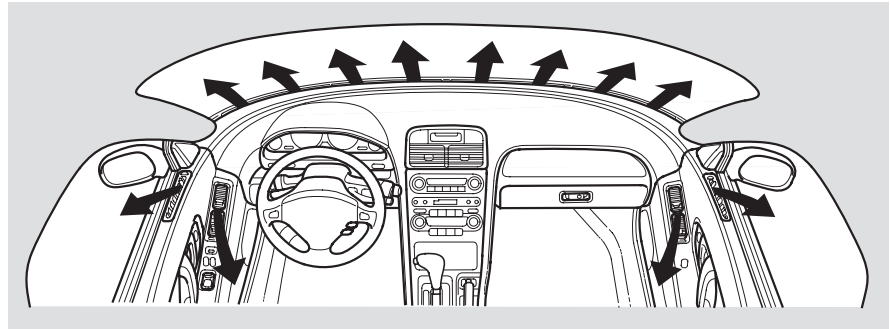
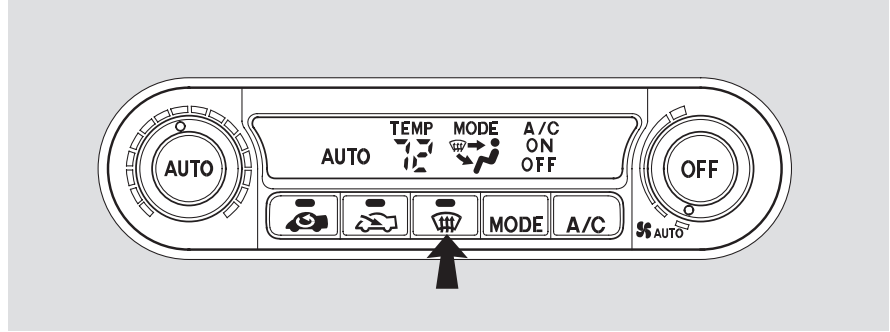


Climate Control System

The  button directs the main air flow to the windshield for faster defrosting. It also overrides any MODE selection you may have made. To defrost more quickly, turn the temperature control to 82°F~86°F (28°C~30°C).

Press  and turn the fan speed dial to high. Warmed air will then flow from the windshield and side defroster vents. To turn off defrost, press the AUTO or DEFROST button.



If there is frost on the windows, first select . If the windows are fogged, select .






CONTINUED

Climate Control System

Recirculated and Fresh Air

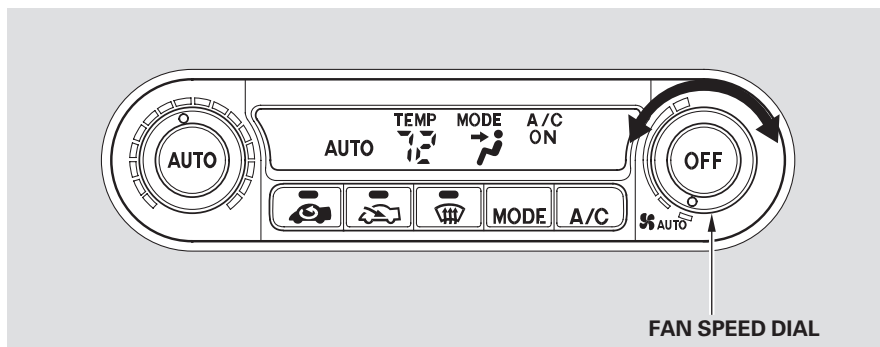
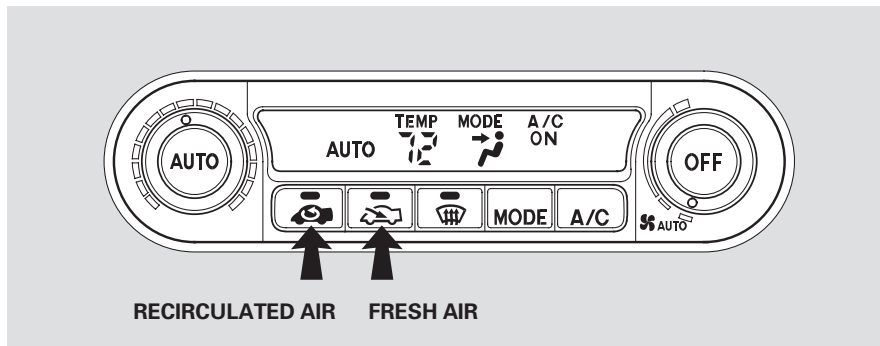
The  and  buttons select the source of air going into the climate control system.

 draws fresh air from outside.

 draws air into the system from the car's interior and recirculates it. You can, for example, manually put the system in recirculation mode when driving through an area of smoke or fumes. When you press the  or  button, the light in that button comes on.

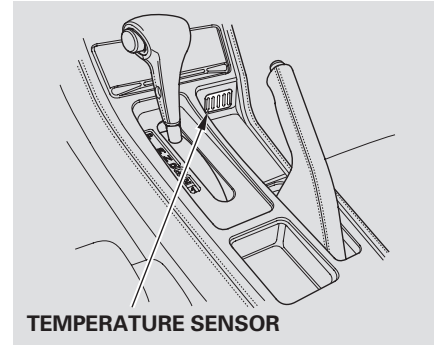
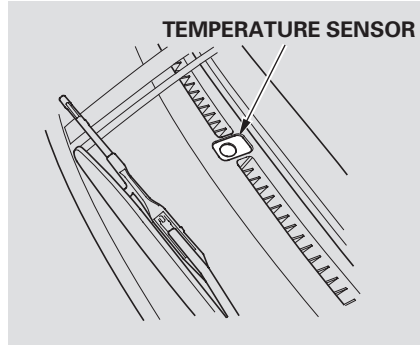
Fan Speed

You can manually select the fan speed by turning the dial. You must turn the fan speed dial back to AUTO to go to fully-automatic climate control.



Temperature Sensors


The climate control system has temperature sensors located on the dashboard and in the center console. Do not cover these sensors or spill any liquid on them.



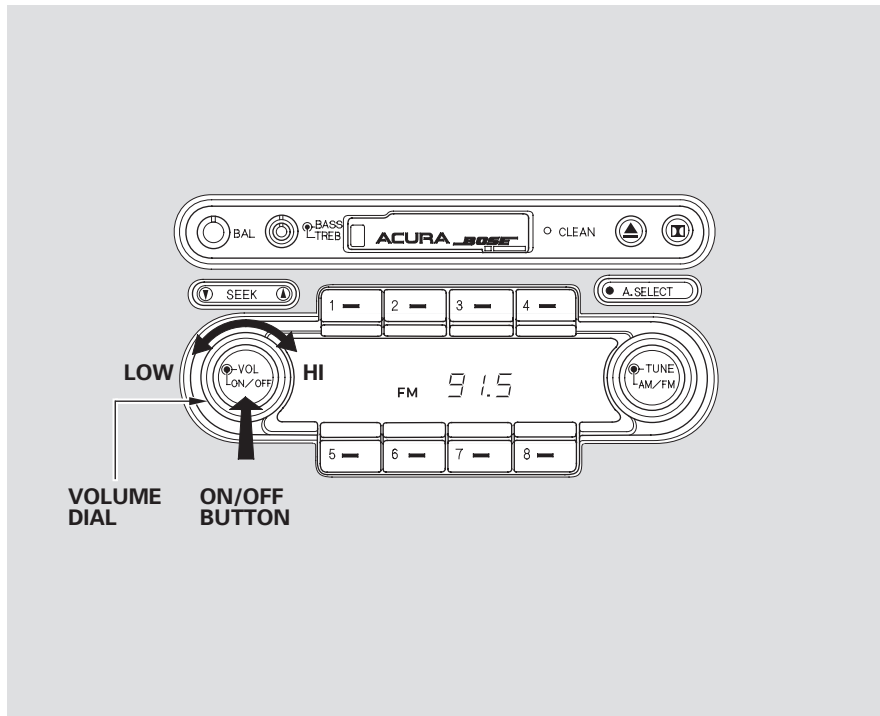
Audio System

The sound system in your NSX can deliver excellent reception on both the AM and FM bands.

The cassette system uses Dolby* noise reduction to give excellent sound reproduction on tapes that were recorded using that feature. The system can also sense when a metal or chromium-dioxide (CrO₂) tape is being played, and adjusts accordingly.

* Dolby noise reduction manufactured under license from Dolby Laboratories Licensing Corporation. "DOLBY" and the double-D symbol  are trademarks of Dolby Laboratories Licensing Corporation.

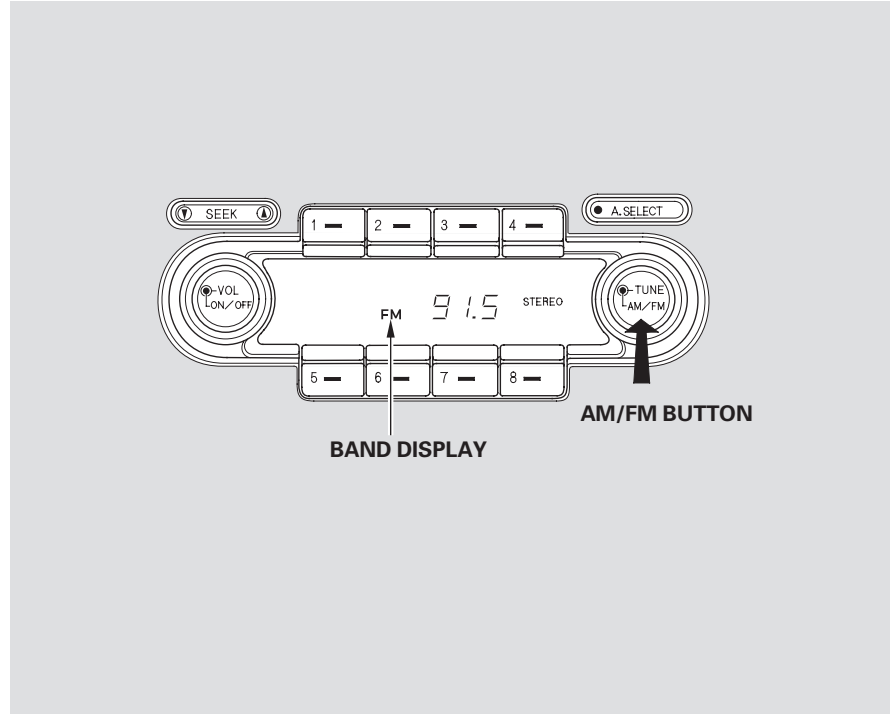
A trunk-mounted CD changer is available as an option. See page [116](#) for CD changer operation.



Operating the Radio

The ignition switch must be in ACCESSORY (I) or ON (II) to operate the audio system. Turn the system on by pressing the ON/OFF button. The radio comes on and displays the frequency of the station it was last tuned to.

The power antenna will also extend. Adjust the volume with the VOL dial (outside ring of the left knob). Select the AM or FM band by pushing the AM/FM button. The selected band is shown next to the frequency display.

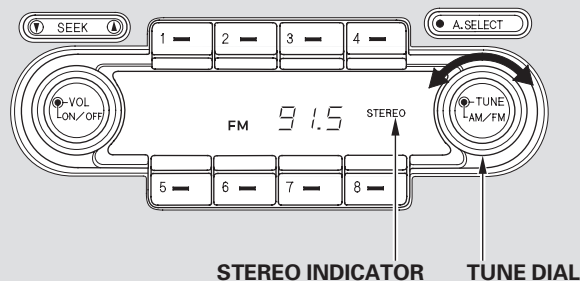


Audio System

Finding a Radio Station

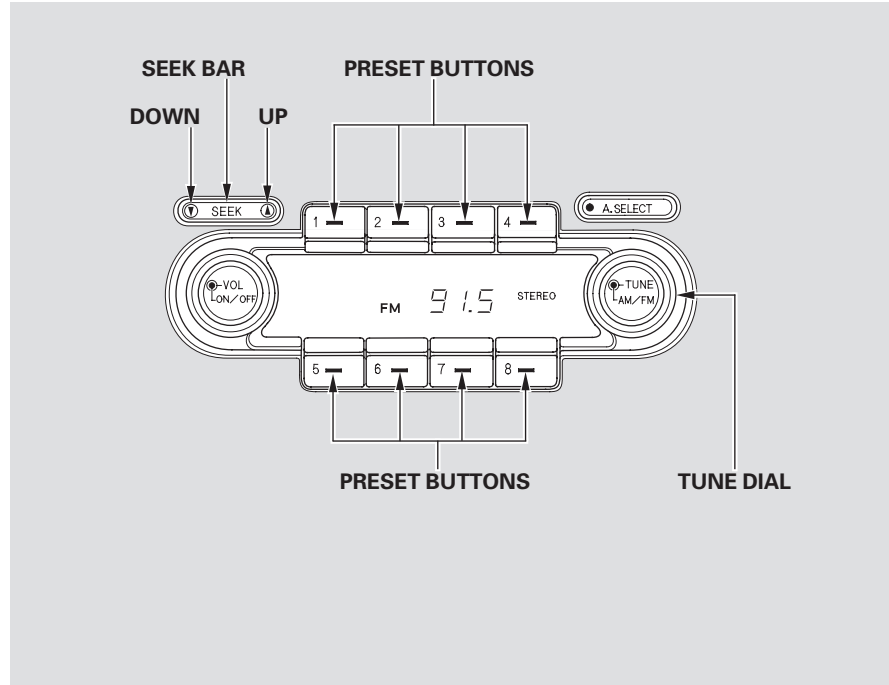
To tune to a station, turn the TUNE dial (outside ring of the right knob). Turn it clockwise to tune to a higher frequency, and counterclockwise to tune to a lower frequency.

The STEREO indicator next to the frequency display lights if the station is broadcasting in FM stereo. The STEREO indicator will flash if you are driving in an area where the radio signal is weak. This system cannot receive AM broadcasts in stereo.



The easiest way to find your favorite stations is to set their frequencies into the eight preset buttons. To do this, tune to the desired station as described previously. Press one of the preset buttons (1–8) and hold it until you hear a beep. You can preset eight stations on each band.

When you press the SEEK bar, the radio scans the selected band and stops on the next station with a strong signal. Press the left side of the SEEK bar to scan lower frequencies, and the right side of the bar to scan higher frequencies. This helps you locate stations when driving outside your normal reception area.

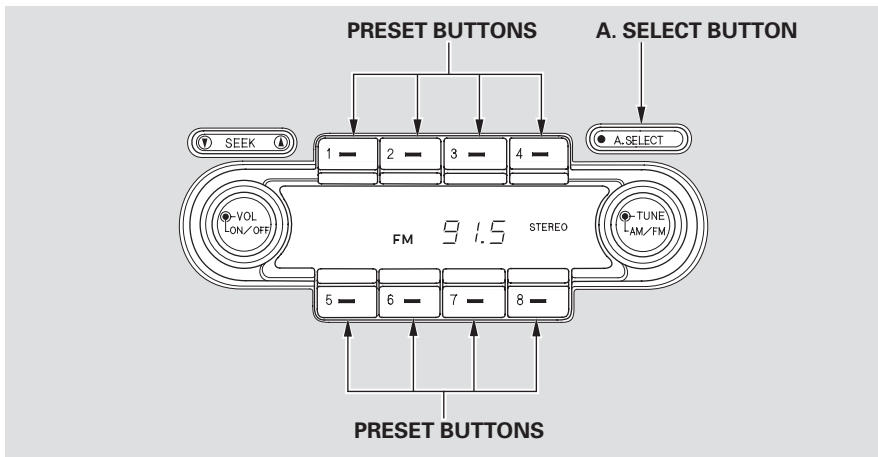


CONTINUED

Audio System

The A. SELECT function allows you to find stations easily when you are in an unfamiliar area. Press the A. SELECT button. The system automatically scans both the AM and FM bands, memorizes the eight strongest stations on each band, and stores them in the eight preset buttons. You can then use the buttons to tune to those stations. The light in the A. SELECT button stays on as a reminder.

You cannot manually change any presets with A. SELECT on. If you do not like the stations found by A. SELECT, you can still use the TUNE or SEEK function to find other stations.



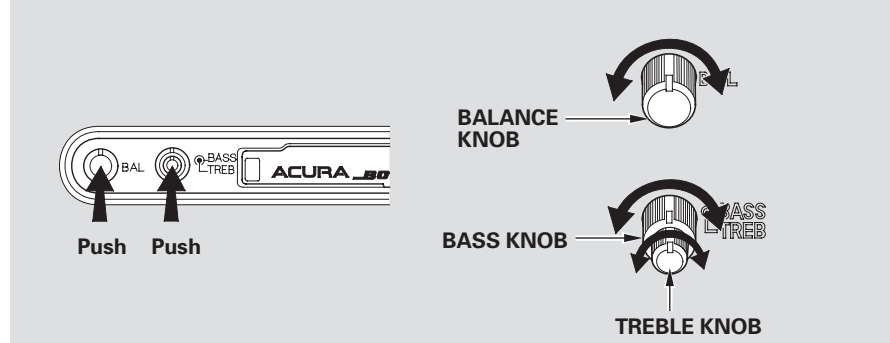
A. SELECT does not erase the stations you have manually preset. When you return to your normal reception area, turn off A. SELECT by pressing the button again. The light in the button goes out and the preset buttons can then select the stations you originally set.

Adjusting the Sound

Use the TREB and BASS knobs to adjust the tone quality to your liking. Push on the TREB knob to get both to pop out. The outside ring changes the bass level, and the inner knob changes the treble level.

When you have finished the adjustments, push the knobs back in so there is less chance of accidentally changing your settings.

The BAL control adjusts the sound balance between the speakers. Push on the knob so it pops out. Adjust the side-to-side balance as desired, then push the knob back in.



When the headlights are on, the radio panel illumination is on, even if the radio is turned off. The panel lighting can be turned off by first pushing the BAL control knob so it pops out, then pulling it out slightly farther.

Audio System

Audio System Lighting

You can use the instrument panel brightness control dial to adjust the illumination of the audio system (see page 57). The audio system illuminates when the parking lights are on, even if the radio is turned off.

Radio Frequencies

Your Acura's radio can receive the complete AM and FM bands. Those bands cover these frequencies:

AM band:

530 to 1,710 kilohertz

FM band:

87.7 to 107.9 megahertz

Radio stations on the AM band are assigned frequencies at least ten kilohertz apart (530, 540, 550).

Stations on the FM band are assigned frequencies at least 0.2 megahertz apart (87.9, 88.1, 88.3).

Stations must use these exact frequencies. It is fairly common for stations to round-off the frequency in their advertising, so your radio could display a frequency of 100.9 even though the announcer may identify the station as "FM101."

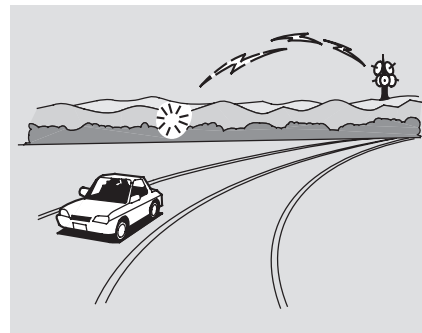
Radio Reception

How well your Acura's radio receives stations is dependent on many factors, such as the distance from the station's transmitter, nearby large objects, and atmospheric conditions.

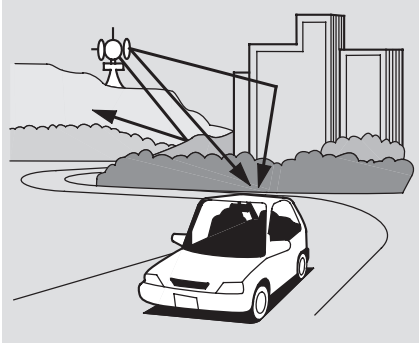
A radio station's signal gets weaker as you get farther away from its transmitter. If you are listening to an AM station, you will notice the sound volume becoming weaker, and the station drifting in and out. If you are listening to an FM station, you will see the stereo indicator flickering off and on as the signal weakens.

Eventually, the stereo indicator will

go off and the sound will fade completely as you get out of range of the station's signal.



Driving very near the transmitter of a station that is broadcasting on a frequency close to the frequency of the station you are listening to can also affect your radio's reception. You may temporarily hear both stations, or hear only the station you are close to.



Radio signals, especially on the FM band, are deflected by large objects such as buildings and hills. Your radio then receives both the direct signal from the station's transmitter, and the deflected signal. This causes the sound to distort or flutter. This is a main cause of poor radio reception in city driving.



Radio reception can be affected by atmospheric conditions such as thunderstorms, high humidity, and even sunspots. You may be able to receive a distant radio station one day and not receive it the next day because of a change in conditions.

Electrical interference from passing vehicles and stationary sources can cause temporary reception problems.

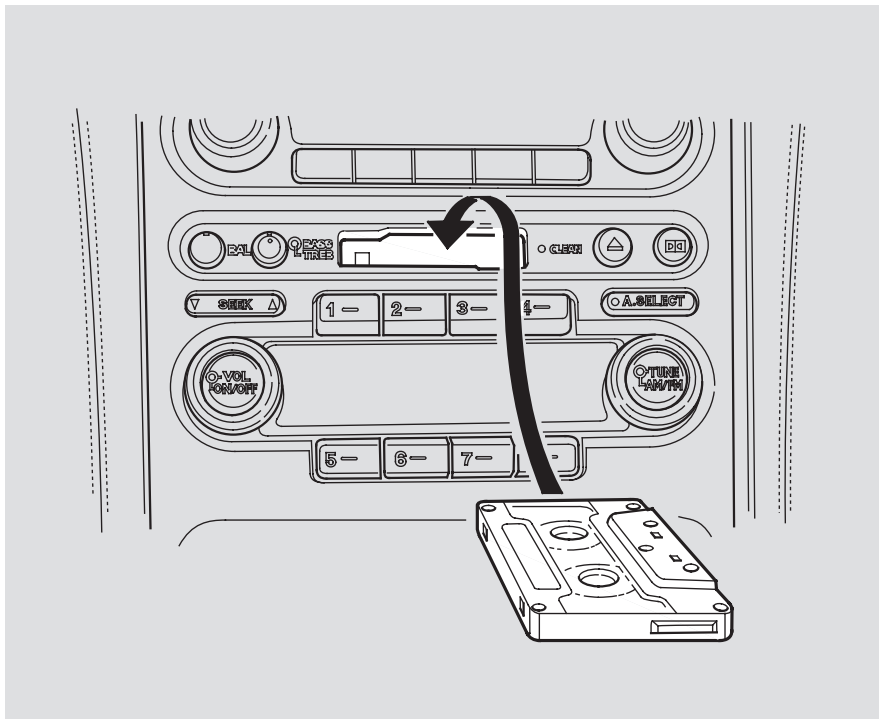
*As required by the FCC:
Changes or modifications not expressly approved by the party responsible for compliance could void the user's authority to operate the equipment.*


Audio System

Operating the Cassette Player

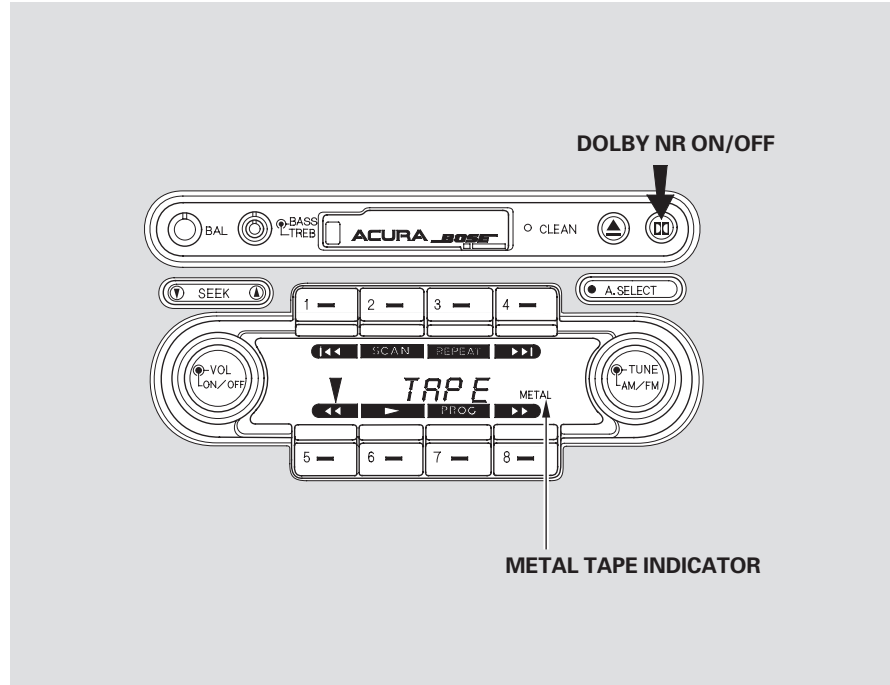
Make sure the radio is ON. Insert the cassette with the tape opening to the right. Push the cassette most of the way into the slot. It will be pulled in the rest of the way and begin to play. The display will change from the radio frequency to the word TAPE.

The ▲ or ▼ will light to show you which side of the cassette is playing. The ▲ indicates the side you inserted facing upward is now playing. To play the other side of the tape, press the PROG button. The system also has an Auto-reverse feature. It will automatically reverse direction when it reaches the end of the cassette.



Dolby B noise reduction turns on when you insert a cassette. If the tape was not recorded with Dolby B noise reduction, turn it off by pressing the  button.

If you play a metal or chromium-dioxide (CrO₂) tape, the system automatically senses it. The METAL indicator in the frequency display lights.

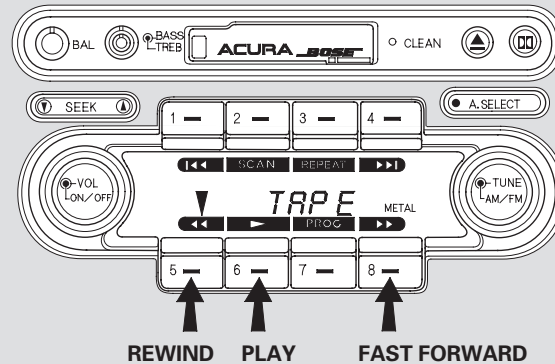


CONTINUED

Cassette Search Functions

You can use the preset buttons to control tape movement while playing a cassette. Six functions are available: Fast forward, Rewind, Repeat, Replay, Skip, and Scan.

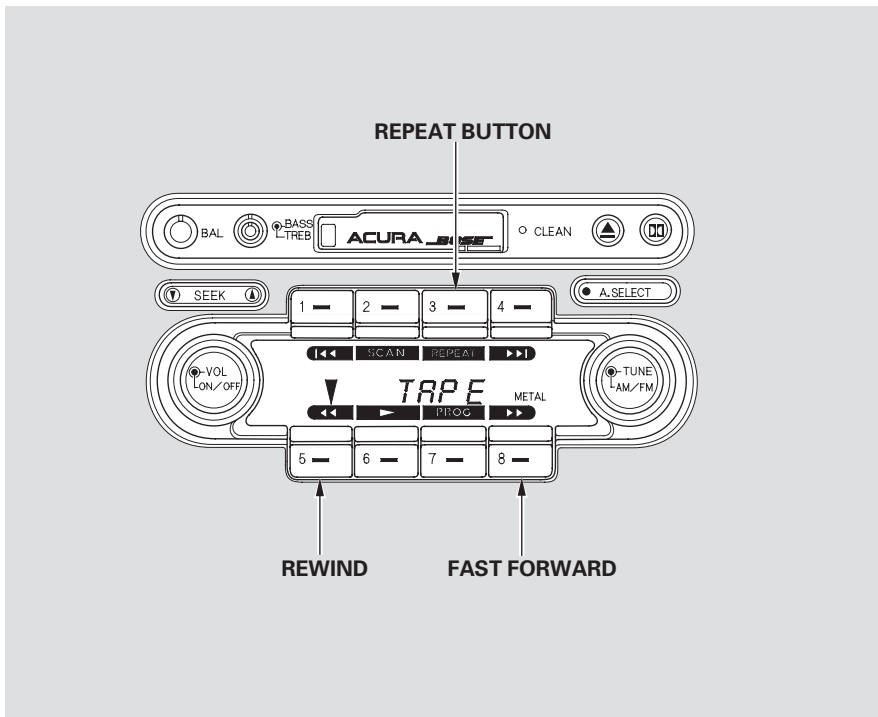
Press **▶▶** to fast forward the tape.
Press **◀◀** to rewind the tape. To stop fast forward or rewind, press **▶▶**. Fast forward or rewind stops automatically at the end of the tape. The system reverses direction, then begins to play.



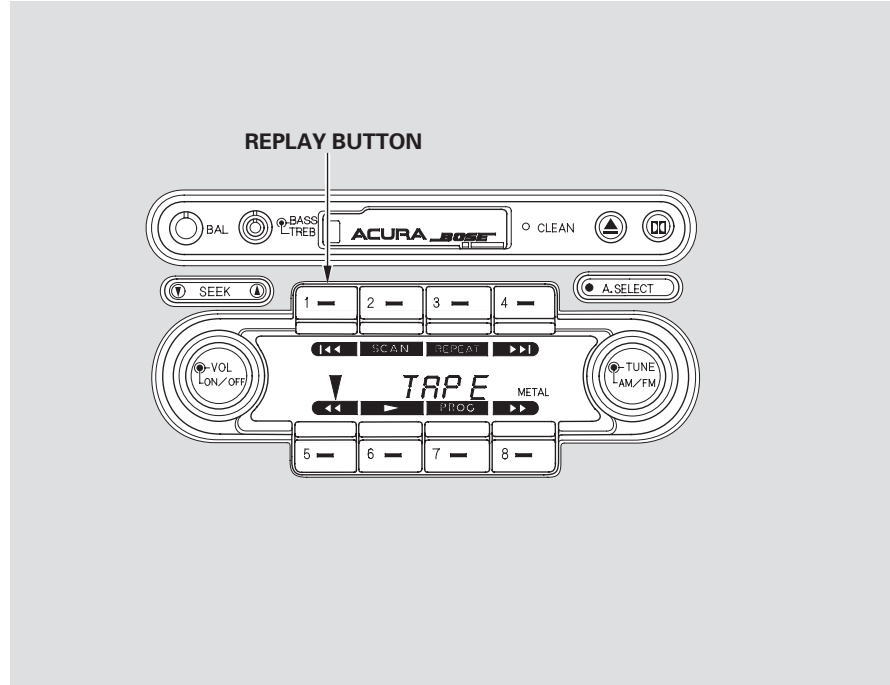
CONTINUED

Audio System

The REPEAT function plays the current song or passage over again. Press REPEAT to enable it. The light in the button stays lit to remind you. When the system senses a silent period in the program (such as the end of a song), it rewinds the tape to the previous silent period. It continues to repeat this same passage as long as REPEAT is on. To turn it off, press the button again. Pressing ◀◀ or ▶▶ also turns off REPEAT.



The REPLAY function **⏮** is similar to REPEAT. When you press this button, the system immediately goes into rewind. The light in the REPLAY button flashes during rewind. When it senses a silent period on the tape, the system stops rewinding and goes back to PLAY. Unlike REPEAT, this function replays a selection only once. If you do not press **⏮** again, the tape will play straight through.



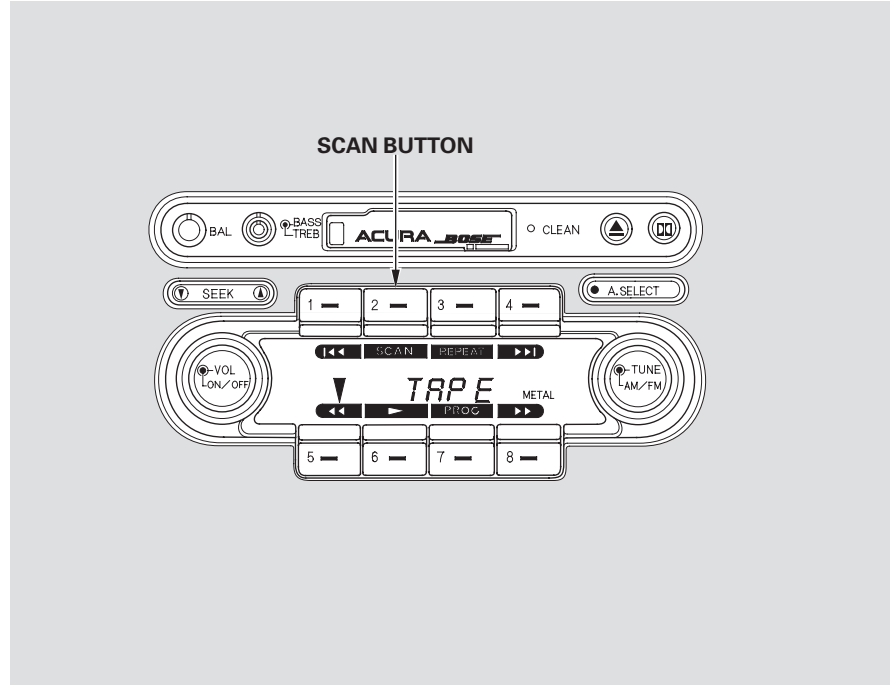
CONTINUED

Audio System

The SKIP function **▶▶** allows you to skip over a song or other passage. When you press this button, the system goes into fast forward until it senses a silent period on the tape. The light in the SKIP button flashes during fast forward. When the system finds a silent period, it goes back to PLAY.



SCAN allows you to search a tape for a desired passage. When you press this button, the system goes into fast forward. It goes back to PLAY when it senses a silent period on the tape. It stays in PLAY for eight seconds so you can listen to that passage and decide if you want to hear it all. If you are not interested in that passage, leave the system alone. After eight seconds, it will go into fast forward again until it senses another silent passage, then go back to PLAY. When it gets to a passage you want to hear, press SCAN again. The tape plays normally after that.

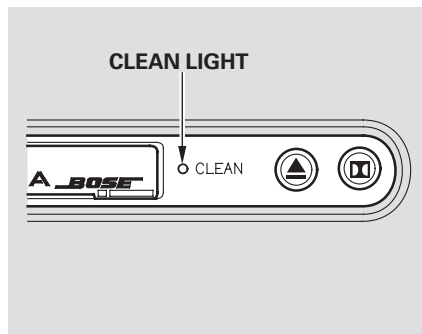


CONTINUED

Audio System

The REPLAY, SKIP and SCAN functions use silent periods on the tape to find the end of a selection. These features may not work satisfactorily on tapes that have almost no gap between songs, a high noise level between songs, or silent periods in the middle of songs.

Caring for the Cassette Player

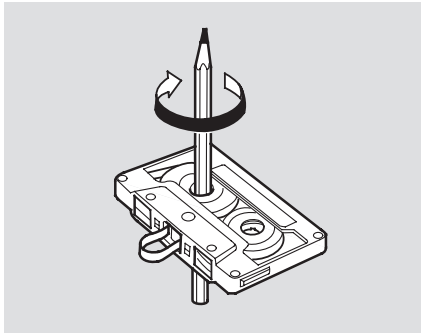


The cassette drive picks up dirt and oxides whenever you play a tape. This builds up over time and causes the sound quality to degrade. To prevent this, you should clean the cassette drive after every 30 hours of use. Your dealer has a cleaning kit available for this purpose.

After 50 hours of use, the CLEAN light comes on to remind you to clean the cassette drive. After cleaning the drive, turn off the CLEAN light by pushing it in with the tip of a ballpoint pen or similar object.

If you do not clean the cassette player regularly, it may eventually become impossible to remove the contamination with a normal cleaning kit.

Use 100-minute or shorter cassettes. Cassettes longer than that use thinner tape that may break or jam the drive.



Look at the cassette before you insert it. If the tape is loose, tighten it by turning a hub with a pencil or your finger.

If the label is peeling off, do not put it in the player. It may cause the cassette to jam in the drive mechanism when you try to eject it.

Do not leave cassettes sitting where they are exposed to high heat or humidity, such as on top of the dashboard or in the player. If a cassette is exposed to extreme heat or cold, let it reach a moderate temperature before putting it in the player.

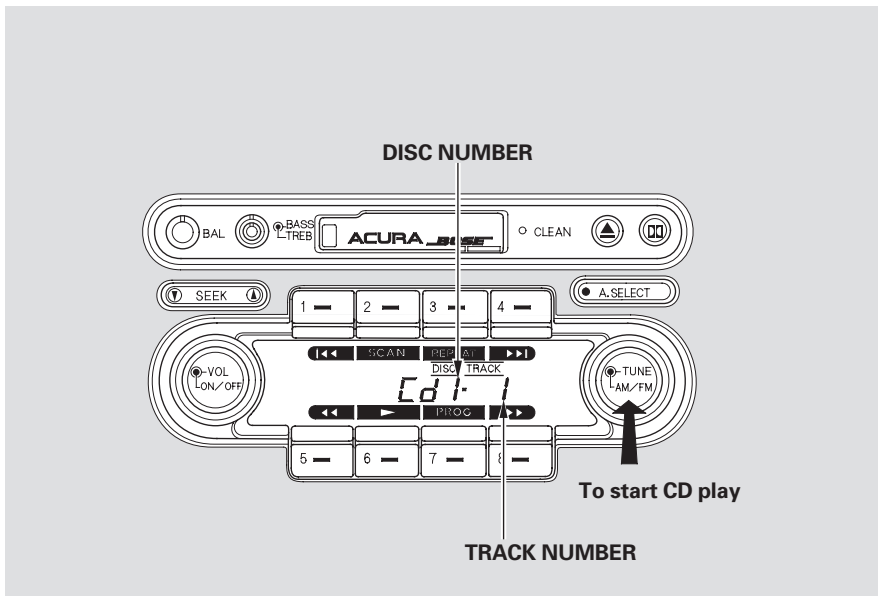
Audio System

Operating the CD Changer (Optional)

A trunk-mounted Compact Disc changer is available for your car. It holds up to six discs, providing several hours of continuous programming. You operate the CD changer with the same controls used for the radio and cassette player.

Load the desired CDs in the magazine and load the magazine in the changer according to the instructions that came with the unit. Play only standard round discs. Odd-shaped CDs may jam in the drive or cause other problems.

Turn on the audio system as described previously. Press the AM/FM button until "CD" appears in the display. The selected disc (1–6) and track, also displayed, will begin playing.

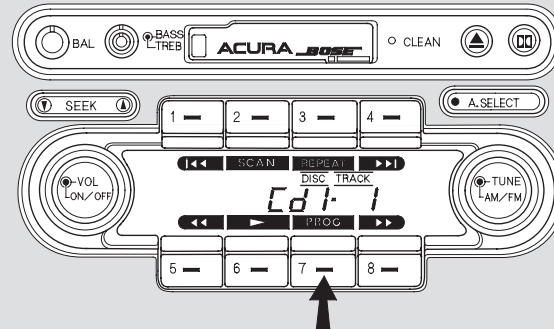


When that disc ends, the next disc in the magazine is loaded and played. When disc 6 has completed, the system will return to disc 1.

To select another disc, press PROG.
The next CD in the changer is loaded and starts to play from the first track. The new CD and track numbers are displayed.

To return to the radio function, press the AM/FM button.

To turn the system completely off, press the ON/OFF button.



Press to change discs

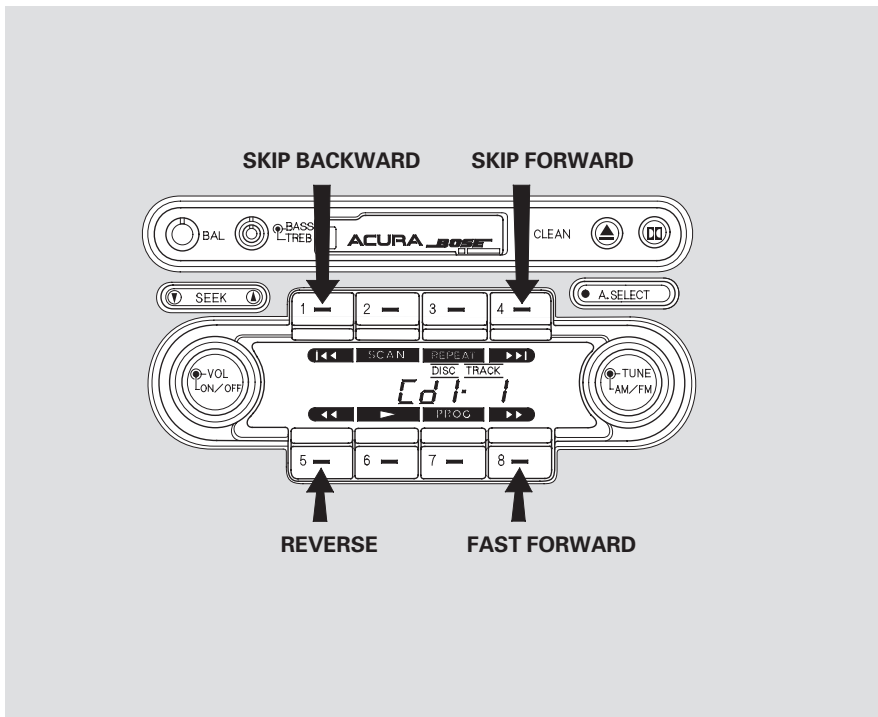
CONTINUED

Audio System

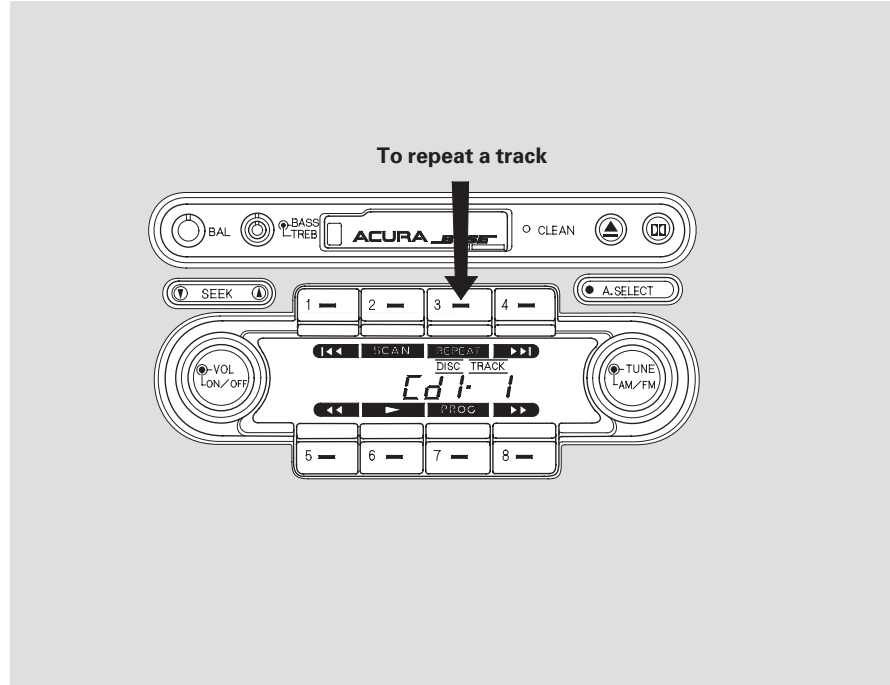
You can use the preset buttons while a CD is playing to select passages and change tracks.

To move rapidly within a track, press and hold the **▶▶** button to move forward or the **◀◀** button to move backward. The player will fast forward or reverse for as long as you hold the button. It goes to normal play mode when you release the button.

Each time you press **▶▶**, the system skips forward to the beginning of the next track on that CD. Pressing **◀◀** skips backward to the beginning of the current track.



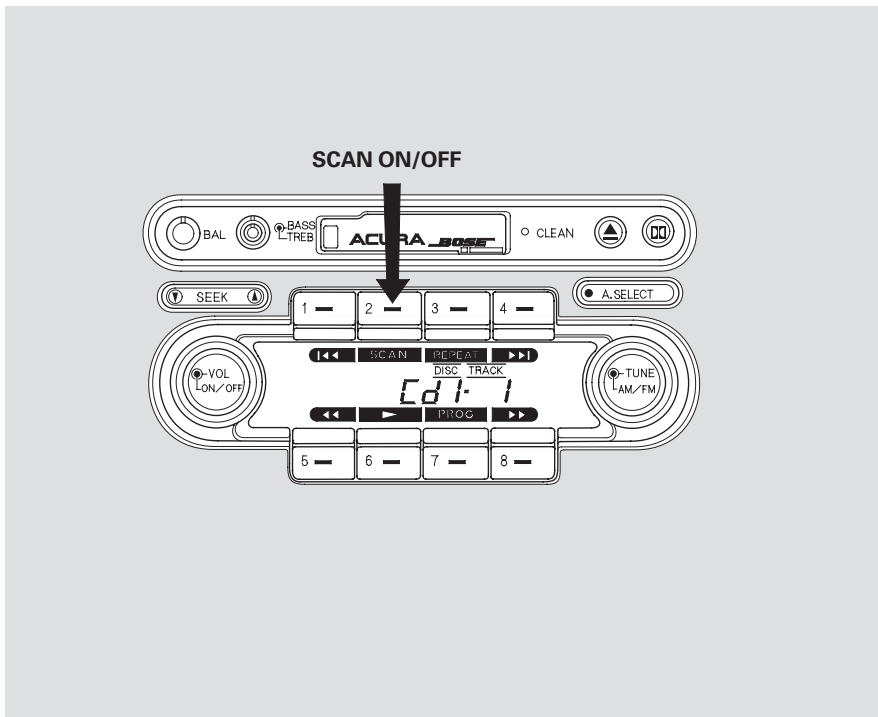
To replay the current track, press REPEAT. The indicator in the preset button will come on as a reminder. At the end of the track, the system skips back to its beginning. That track will repeat continuously until you cancel REPEAT by pressing the button again.



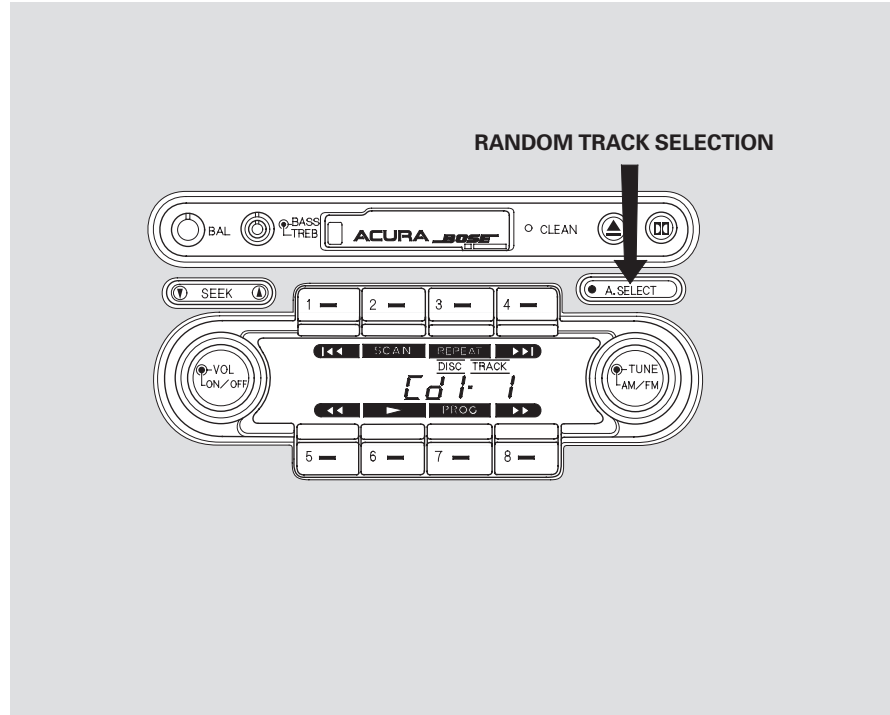
CONTINUED

Audio System

To search for a particular program on a disc, press SCAN. The system will skip forward to the next track and begin to play it. If you do not touch any of the controls, the system skips to the beginning of the next track after ten seconds and begins to play that. When the system gets to a track you want to hear all the way through, press SCAN again. You can only scan tracks on the disc currently being played.

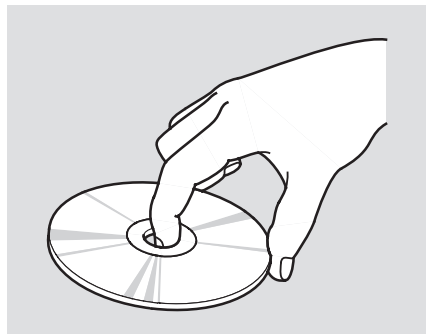


You can get the CD changer to randomly select tracks by pressing A. SELECT. The indicator in the button lights as a reminder. With this active, the system selects and plays tracks randomly rather than sequentially. Random selection only works on the disc currently playing, not across all six discs. Cancel random selection by pressing A. SELECT again. Random selection is also cancelled by selecting the SCAN function.

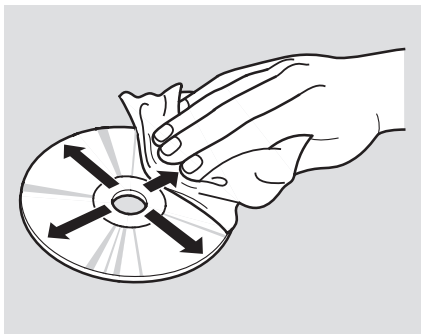


Audio System

Protecting Compact Discs

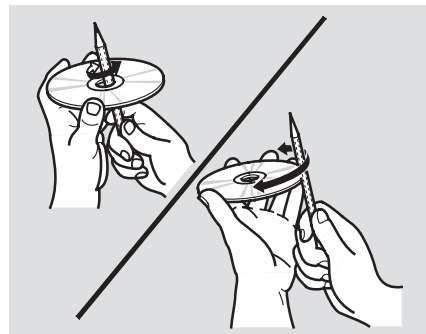


Handle a CD by its edges; never touch either surface. Do not place stabilizer rings or labels on the CD. These, along with contamination from fingerprints, liquids, and felt-tip pens, can cause the CD to not play properly, or possibly jam in the drive.



When a CD is not being played, store it in its case to protect it from dust and other contamination. To prevent warpage, keep CDs out of direct sunlight and extreme heat.

To clean a disc, use a clean soft cloth. Wipe across the disc from the center to the outside edge.



A new CD may be rough on the inner and outer edges. The small plastic pieces causing this roughness can flake off and fall on the recording surface of the disc, causing skipping or other problems. Remove these pieces by rubbing the inner and outer edges with the side of a pencil or pen.

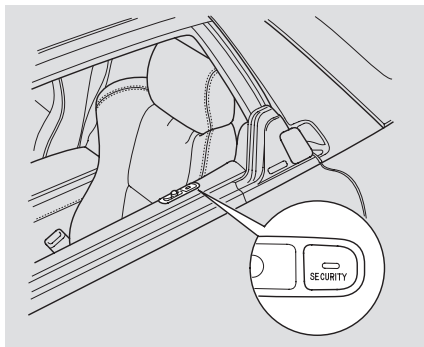
Never try to insert foreign objects in the CD player or the magazine.

CD Error Indications

If you see an error indication in the display while operating the CD changer, find the cause in the chart to the right. If you cannot clear the error indication, take the car to your Acura dealer.

Indication	Cause	Solution
<i>E-01</i>	Disc changer malfunction.	Consult your Acura dealer.
<i>E-02</i>	Disc is in changer mechanism.	Press the magazine eject button, and insert an empty magazine.
<i>E-03</i> <i>E-04</i> <i>E-05</i>	Disc changer malfunction.	If the code disappears within a few seconds, unit is OK. If it does not, consult your Acura dealer.
<i>E-06</i>	Disc changer malfunction.	Press the magazine eject button and pull out the magazine, check for error indication. Insert the magazine again. If the magazine can not be pulled out, consult your Acura dealer.
<i>E-07</i>	CD magazine ejection impossible.	Press the magazine eject button. If the magazine does not eject, consult your Acura dealer.
<i>---H</i>	High temperature.	Will disappear when the temperature returns to normal.
<i>E-EE</i>	Misconnection or disconnection of CD changer.	See your Acura dealer.
<i>----</i>	No CD magazine in the CD changer.	Insert CD magazine.

Security System



The security system helps to protect your car and valuables from theft. The horn sounds and all the exterior lights flash if someone attempts to break into your car or remove the radio. The system alarms continue for two minutes unless you turn it off manually. To turn the system off, unlock either door with the key.

The security system sets automatically fifteen seconds after you lock the doors, hood, rear window, roof panel and trunk. For the system to activate, you must lock the doors from the outside with the key, lock tab, or door lock switch (see page 67). The security system light next to the driver's door lock starts blinking immediately to show you the system is setting itself.

Once the security system is set, opening either door (without the key), the hood, roof panel or the rear window will cause it to alarm. It also alarms if the radio is removed from the dashboard or the wiring is cut.

With the system set, you can still open the trunk with the master key without triggering the alarm. The alarm will sound if the trunk lock is forced or smashed, or the trunk is opened with the release button on the driver's door.

The security system does not set if the hood, rear window, trunk, roof panel or either door is not latched completely. If the system will not set, check the Door and Lamp Monitor on the instrument panel (see page 51), to see if the doors, rear window, roof panel and trunk are fully closed. Since it is not monitored, manually check the hood.

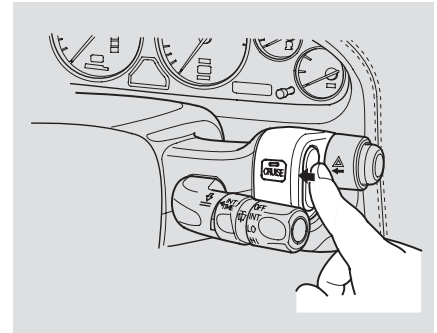
Cruise control allows you to maintain a set speed above 25 mph (40 km/h) without keeping your foot on the accelerator pedal. It should be used for cruising on straight, open highways. It is not recommended for conditions such as city driving, winding roads, slippery roads, heavy rain, or bad weather. You should have full control of the car under those conditions.

⚠ WARNING

Improper use of the cruise control can lead to a crash.

Use the cruise control only when traveling on open highways in good weather.

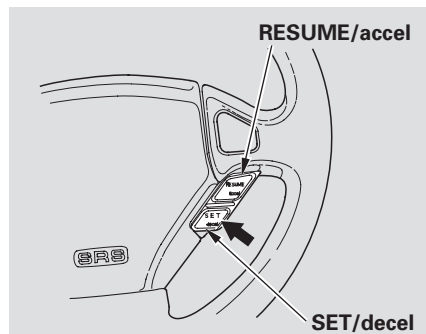
Using the Cruise Control



1. Push in the Cruise Control Master Switch on the right pod. The indicator by the switch will light.
2. Accelerate to the desired cruising speed above 25 mph (40 km/h).

CONTINUED

Cruise Control



3. Press and release the SET/decel button on the steering wheel. The CRUISE CONTROL light on the instrument panel comes on to show the system is now activated.

The cruise control may not hold the set speed when you are going up and down hills. If your speed increases going down a hill, use the brakes to slow down to the desired speed. This will cancel the

cruise control. To resume the set speed, press the RESUME/accel button. The CRUISE CONTROL light on the instrument panel comes on.

When climbing a steep hill, the automatic transmission may downshift to hold the set speed.

Changing the Set Speed

You can increase the set cruising speed in any of these ways:

- Press and hold the RESUME/accel button. The car will accelerate. When you reach the desired cruising speed, release the button.
- Push on the accelerator pedal. Accelerate to the desired cruising speed and press the SET/decel button.
- To increase your speed in very small amounts, tap the RESUME/accel button repeatedly. Each time

you do this, your car will speed up about 1 mph (1.6 km/h).

You can decrease the set cruising speed in any of these ways:

- Press and hold the SET/decel button. The car will decelerate. Release the button when you reach the desired speed.
- To slow down in very small amounts, tap the SET/decel button repeatedly. Each time you do this, your car will slow down about 1 mph (1.6 km/h).
- Tap the brake or clutch pedal lightly with your foot. The CRUISE CONTROL light on the instrument panel will go out. When the car slows to the desired speed, press the SET/decel button. The car will then maintain the desired speed.

Even with the cruise control turned on, you can still use the accelerator pedal to speed up for passing. After completing the pass, take your foot off the accelerator pedal. The car will return to the set cruising speed.

Resting your foot on the brake or clutch pedal will cause the cruise control to cancel.

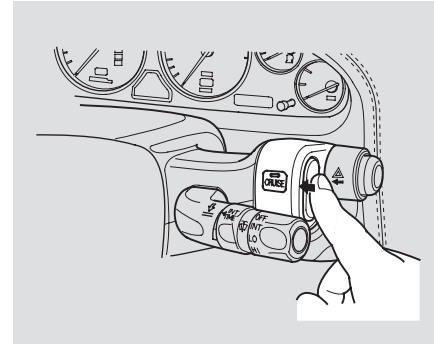
Cancelling the Cruise Control

You can cancel the cruise control in any of these ways:

- Tap the brake or clutch pedal.
- Press the SET/decel and RESUME/accel buttons at the same time.
- Press the Cruise Control Master Switch.

When you tap the brake or clutch pedal, or press the SET and RESUME buttons at the same time, the CRUISE CONTROL light on the instrument panel will go out and the car will begin to slow down. You can use the accelerator pedal in the normal way.

If you use the brake or clutch pedal to cancel cruise control, the system remembers the previously-set cruising speed. To return to that speed, accelerate to above 25 mph



(40 km/h), then press the RESUME/accel button. The CRUISE CONTROL light comes on, and the car will accelerate to the same cruising speed as before.

Pressing the Cruise Control Master Switch turns the system completely off and erases the previous cruising speed from memory. To use the system again, refer to ***Using the Cruise Control***.

Before you begin driving your Acura, you should know what gasoline to use, and how to check the levels of important fluids. You also need to know how to properly store luggage or packages. The information in this section will help you. If you plan to add any accessories to your car, please read the information in this section first.

Break-in Period	130
Gasoline	130
Service Station Procedures	131
Filling the Fuel Tank.....	131
Opening the Engine	
Compartment	132
Oil Check	133
Engine Coolant Check	135
Checking the Front	
Compartment	135
Fuel Economy	138
Car Condition	138
Driving Habits.....	138
Accessories and Modifications	139
Carrying Cargo	141
General Precautions.....	144

Break-in Period, Gasoline

Break-in Period

Help assure your car's future reliability and performance by paying extra attention to how you drive during the first 600 miles (1,000 km). During this period:

- Avoid full-throttle starts and rapid acceleration. Do not exceed 5,500 rpm for the first 600 miles (1,000 km) of operation.
- Avoid hard braking. New brakes need to be broken-in by moderate use for the first 200 miles (300 km).
- Do not change the oil until the recommended time or mileage interval shown in the maintenance schedule.

You should follow these same recommendations with an overhauled or exchanged engine, or when the brakes are relined.

Gasoline

Your NSX is designed to operate on premium unleaded gasoline with a pump octane number of 91 or higher.

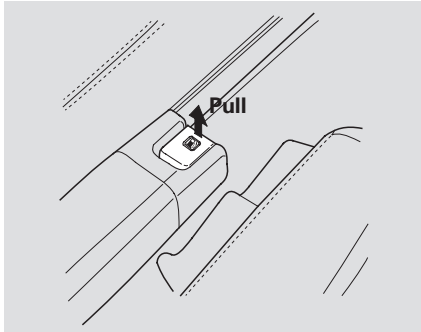
If you are unable to find premium unleaded gasoline, you may substitute an unleaded regular gasoline. The engine will compensate for the lower octane, but you may notice a slight decrease in power as a result.

We recommend gasolines containing detergent additives that help prevent fuel system and engine deposits.

Using gasoline containing lead will damage your car's emissions controls. This contributes to air pollution.

In Canada, some gasolines contain an octane-enhancing additive called MMT. If you use such gasolines, your emissions control system performance may deteriorate and the Malfunction Indicator Lamp on your instrument panel may turn on. If this happens, contact your authorized Acura dealer for service.

Filling the Fuel Tank

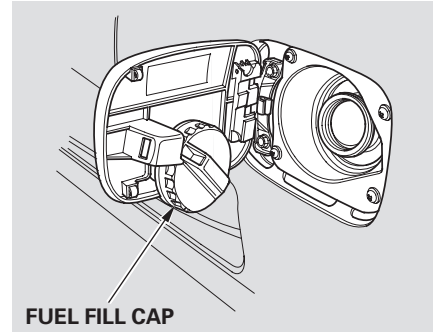


1. Because the fuel fill cap is on the driver's side of the car, park with that side closest to the service station pumps.
2. Open the fuel fill door by pulling on the handle to the left of the driver's seat.

⚠ WARNING

Gasoline is highly flammable and explosive. You can be burned or seriously injured when handling fuel.

- Stop the engine and keep heat, sparks, and flame away.
- Handle fuel only outdoors.
- Wipe up spills immediately.



3. Remove the fuel fill cap slowly. You may hear a hissing sound as pressure inside the tank escapes. Place the cap in the holder on the fuel fill door.

CONTINUED

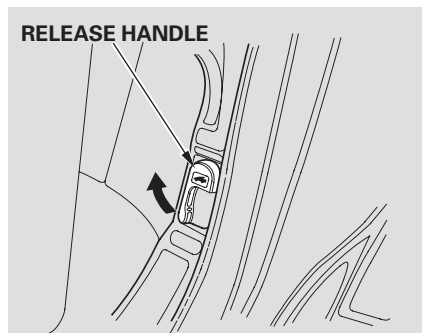
Service Station Procedures

4. Stop filling the tank after the fuel nozzle automatically clicks off. Do not try to “top off” the tank, leave some room for the fuel to expand with temperature changes.

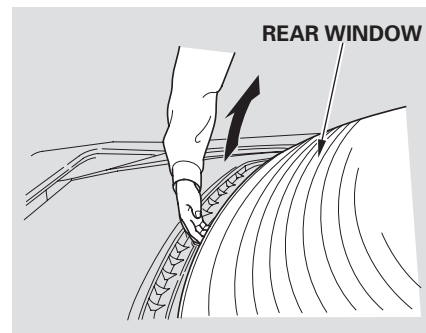
Your car has an on-board refueling vapor recovery system to help keep fuel vapors from going into the atmosphere. If the fuel nozzle keeps clicking off even though the tank is not full, there may be a problem with this system. Consult your dealer.

5. Screw the fuel fill cap back on, tighten it until it clicks several times. If you do not properly tighten the cap, the Malfunction Indicator Lamp may come on (see page 258).
6. Push the fuel fill door closed until it latches.

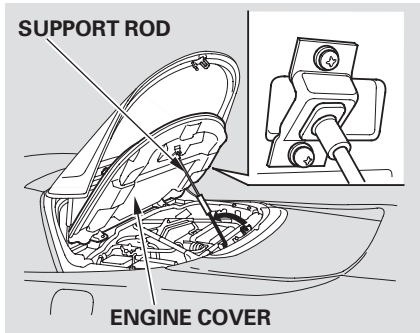
Opening the Engine Compartment



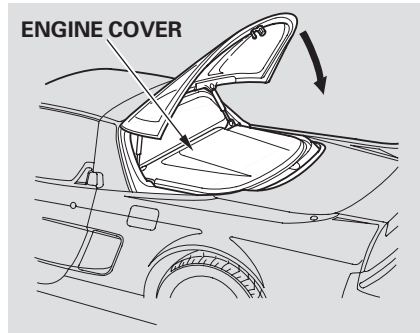
1. Shift to Park or Neutral and set the parking brake. Locate the release handle on the rear of the driver's door opening, next to the seat. Pivot this handle towards the driver's seat. The rear window will pop up slightly.



2. Stand just behind the driver's door. Reach under the rear edge of the rear window at its center and raise it. It will stay up by itself.

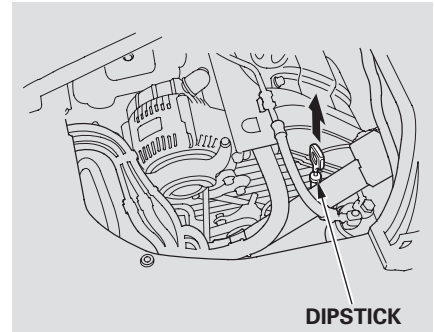


3. Lift the engine cover.
4. Pull the support rod out of its clip and insert the end into the square hole in the engine cover bracket.



To Close the Rear Window:
Snap the support rod back into the clip and lower the engine cover. Pull the rear window down until it is resting on the body, then push on the center of the back edge until it latches. Make sure it is securely closed before driving away.

Oil Check

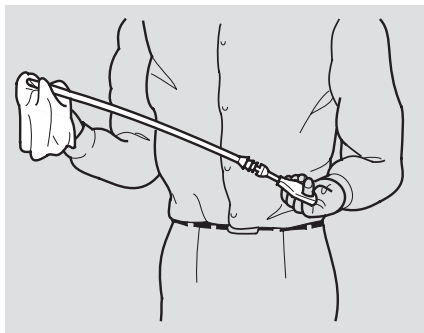


Check the engine oil level every time you fill the car with fuel. Wait a few minutes after turning the engine off before you check the oil.

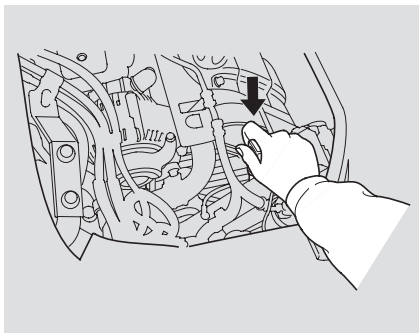
1. Remove the dipstick (orange handle).

CONTINUED

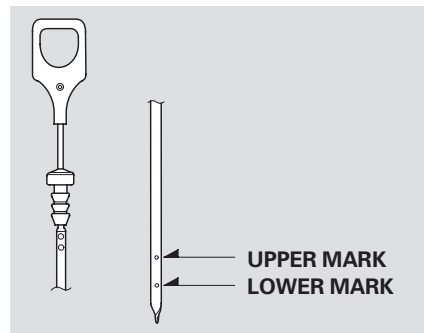
Service Station Procedures



2. Wipe the dipstick with a clean cloth or paper towel.



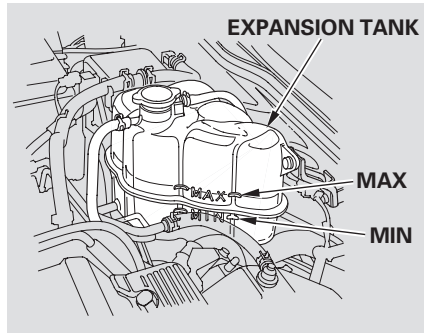
3. Insert it all the way back in its tube.



4. Remove the dipstick again and check the level. It should be between the upper and lower marks.

If it is near or below the lower mark, see **Adding Oil** on page [181](#).

Engine Coolant Check



Look at the coolant level in the expansion tank. Make sure it is between the MAX and MIN lines. If it is below the MIN line, see **Adding Engine Coolant** on page 185 for information on adding the proper coolant.

Refer to **Owner Maintenance Checks** on page 179 for information on checking other items in your Acura.

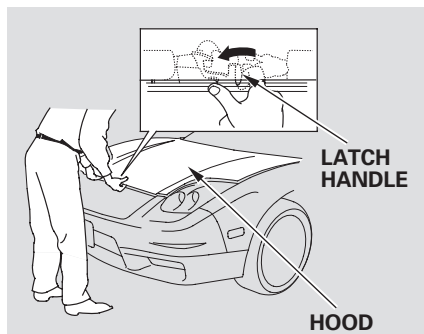
Checking the Front Compartment



1. Shift to Park or Neutral and set the parking brake. Pull the hood release handle located under the lower left corner of the dashboard. The hood will pop up slightly.

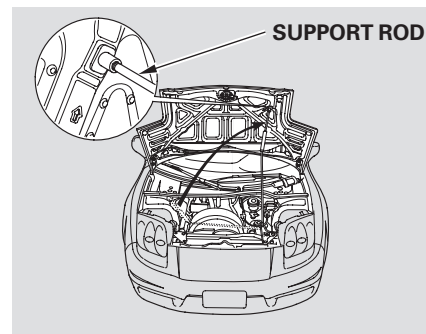
CONTINUED

Service Station Procedures

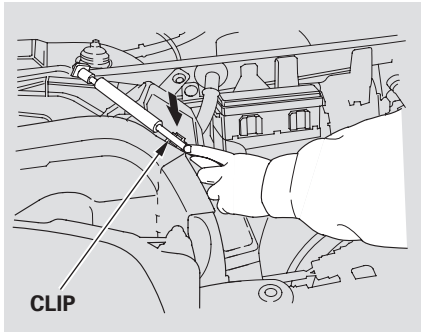


2. Standing in front of the car, put your fingers under the front edge of the hood to the right of center. Slide your hand to the left until you feel the hood latch handle. Push this handle to the left until it releases the hood. Lift the hood.

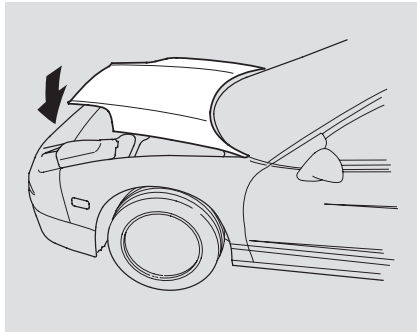
If you can open the hood without lifting the hood latch handle, or the hood latch handle moves stiffly or does not spring back as before, the mechanism should be cleaned and lubricated (see page 199).



3. Pull the support rod out of its clip and insert the end into the square hole on the right side of the hood.
4. To close the hood, lift it up slightly to remove the support rod from the hole.



5. Snap the support rod back into its holding clip.



6. Lower the hood about halfway down and let the hood drop.

After closing the hood, make sure it is securely latched.

Refer to **Owner Maintenance Checks** on page [179](#) for information on checking other items in your Acura.

Fuel Economy

The condition of your car and your driving habits are the two most important things that affect the fuel mileage you get.

Car Condition

Always maintain your car according to the maintenance schedule. This will keep it in top operating condition. An important part of that maintenance is the **Owner Maintenance Checks** (see page 179). For example, an underinflated tire causes more “rolling resistance,” which uses fuel. It also wears out faster, so check the tire pressure at least monthly.

In winter, the build-up of snow on your vehicle’s underside adds weight and rolling resistance. Frequent cleaning helps your fuel mileage and reduces the chance of corrosion.

Driving Habits

You can improve fuel economy by driving moderately. Rapid acceleration, abrupt cornering, and hard braking use more fuel.

Always drive in the highest gear that allows the engine to run and accelerate smoothly.

Depending on traffic conditions, try to maintain a constant speed. Every time you slow down and speed up, your car uses extra fuel. Use the cruise control, when appropriate, to increase fuel economy.

A cold engine uses more fuel than a warm engine. It is not necessary to “warm-up” a cold engine by letting it idle for a long time. You can drive away in about a minute, no matter how cold it is outside. The engine will warm up faster, and you get better fuel economy. To cut down on the number of “cold starts,” try to

combine several short trips into one.

The air conditioning puts an extra load on the engine which makes it use more fuel. Turn off the A/C or set the climate control to a higher temperature to cut down on air conditioning use. Use the flow-through ventilation when the outside air temperature is moderate.

Modifying your car, or installing some non-Acura accessories, can make your car unsafe. Before you make any modifications or add any accessories, be sure to read the following information.

Accessories

Your dealer has Acura accessories that allow you to personalize your car. These accessories have been designed and approved for your car, and are covered by warranty.

Non-Acura accessories are usually designed for universal applications. Although aftermarket accessories may fit on your car, they may not meet factory specifications, and could adversely affect your car's handling and stability. (See "Modifications" on page 140 for additional information.)

WARNING

Improper accessories or modifications can affect your car's handling, stability, and performance, and cause a crash in which you can be hurt or killed.

Follow all instructions in this owner's manual regarding accessories and modifications.

When properly installed, cellular phones, alarms, two-way radios, and low-powered audio systems should not interfere with your car's computer-controlled systems, such as the SRS and anti-lock brake system.

However, if electronic accessories are improperly installed, or exceed your car's electrical system capacity, they can interfere with the operation of your car, or even cause the airbags to deploy.

Before installing any accessory:

- Make sure the accessory does not obscure any lights, or interfere with proper car operation or performance.
- Be sure electronic accessories do not overload electrical circuits (see page 265).
- Have the installer contact your Acura dealer for assistance before installing any electronic accessory.

If possible, have your dealer inspect the final installation.

Accessories and Modifications

Modifications

Removing parts from your vehicle, or replacing components with non-Acura (aftermarket) components could seriously affect your vehicle's handling, stability, and reliability.

Some examples are:

- Lowering the vehicle with an aftermarket suspension kit that significantly reduces ground clearance can allow the undercarriage to impact speed bumps or other raised objects, which could cause the airbags to deploy.
- Raising the vehicle with an aftermarket suspension kit can affect the handling and stability.
- Aftermarket wheels, because they are a universal design, can cause excessive stress on suspension components.

- Larger or smaller wheels and tires can interfere with the operation of your vehicle's anti-lock brakes and other systems.

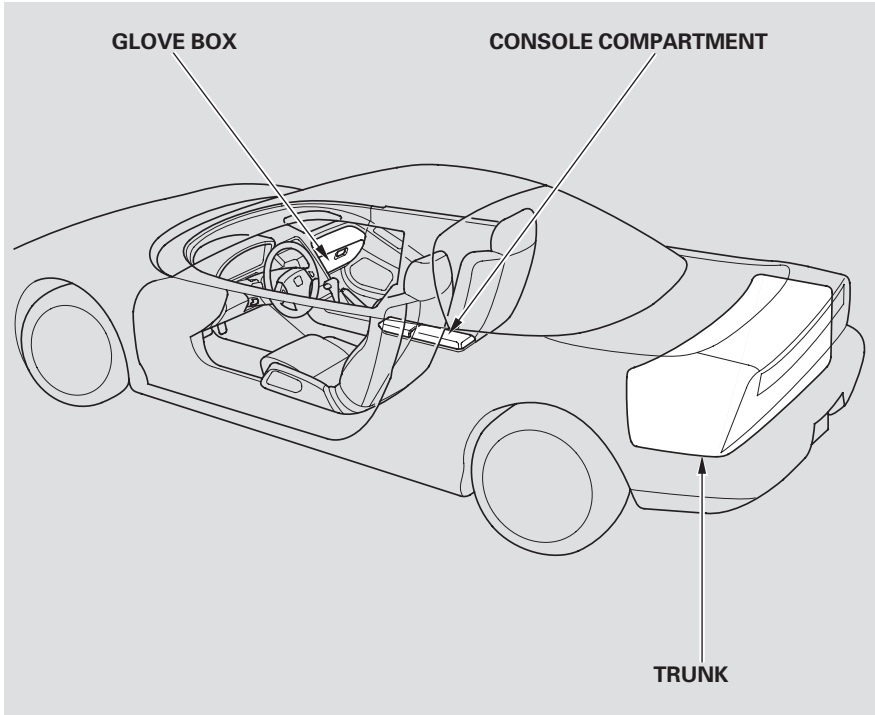
Do not modify your steering wheel or any other part of your Supplemental Restraint System. Modifications could make the system ineffective.

If you plan to modify your vehicle, consult with your Acura dealer.

Additional Safety Precaution

Do not attach or place objects on the airbag covers. Any object attached to or placed on the covers marked "SRS AIRBAG," in the center of the steering wheel and on top of the dashboard, could interfere with the proper operation of the airbags. Or, if the airbags inflate, the objects could be propelled inside the car and hurt someone.

Carrying Cargo



Your car has several convenient storage areas so you can stow cargo safely.

The glove box, and the console compartment are designed for small, lightweight items. The trunk is intended for larger, heavier items.

However, carrying too much cargo, or improperly storing it, can affect your car's handling, stability, stopping distance, and tires, and make it unsafe. Before carrying any type of cargo, be sure to read the following pages.

Carrying Cargo

Load Limit

The maximum load limit for your car is 400 lbs (185 kg). This figure includes the total weight of all occupants, cargo, and accessories weight.

Following are the steps for determining the correct cargo and luggage load limit.

1. Locate the statement, “the combined weight of occupants and cargo should never exceed 400 lbs (185 kg)” on your car’s placard (on the driver’s doorjamb).
2. Determine the combined weight of the driver and passenger that will be riding in your car. (Two is the seating capacity of your car.)

3. Subtract the combined weight of the driver and passenger from 400 lbs (185 kg).
4. The resulting figure equals the available amount of cargo and luggage load capacity.

For example, if there will be two 150 lbs (70 kg) occupants in your car, the amount of available cargo and luggage load capacity is 100 lbs (45 kg).

$$2 \times 150 \text{ lbs (70 kg)} = 300 \text{ lbs (140 kg)}$$
$$400 \text{ lbs (185 kg)} - 300 \text{ lbs (140 kg)} = 100 \text{ lbs (45 kg)}$$

5. Determine the combined weight of accessories, luggage, and cargo being loaded in the vehicle. The weight may not safely exceed the available cargo and luggage load capacity calculated in step 4 [100 lbs (45 kg) in this example].

WARNING

Overloading or improper loading can affect handling and stability and cause a crash in which you can be hurt or killed.

Follow all load limits and other loading guidelines in this manual.

Carrying Items in the Passenger Compartment

- Store or secure all items that could be thrown around and hurt someone during a crash.
- Be sure items placed on the floor behind the front seats cannot roll under the seats and interfere with the driver's ability to operate the pedals, or with the proper operation of the seats.
- Keep the glove box closed while driving. If it is open, a passenger could injure their knees during a crash or sudden stop.

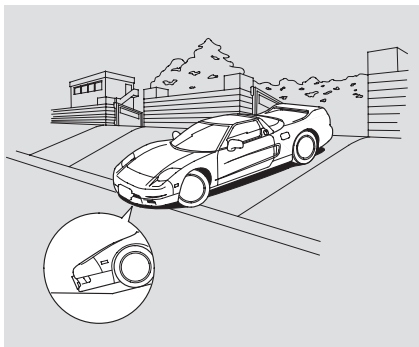
Carrying Cargo in the Trunk

- Distribute cargo evenly on the floor of the trunk, placing the heaviest items on the bottom and as far forward as possible.

General Precautions

Your Acura is designed to give you optimum handling and performance on well-maintained roads. As part of this design, your car has a minimum of ground clearance and very low-profile tires.

- Use caution if you should drive your car on very rough or rutted roads. You could damage the suspension and underbody by bottoming out. Going too fast over parking lot “speed bumps” can also cause damage.



- Curbs and steep inclines could damage the front and rear bumpers. Low curbs that do not affect the average car may be high enough to hit the bumper on your Acura. The front or rear bumper may scrape when trying to drive onto an incline, such as a steep driveway or trailer ramps.

- Because of the low-profile tires fitted to your car, the alloy wheels are closer to the ground. Driving over a pothole or road debris at too high a speed can seriously damage a wheel. Slow down under these conditions.

This section gives you tips on starting the engine under various conditions, and how to operate the manual and automatic transmissions. It also includes important information on parking your car, the braking system and the Traction Control System.

Preparing to Drive	146
Starting the Engine.....	147
Starting in Cold Weather	
at High Altitude	147
6-speed Manual Transmission	148
Recommended Shift Points.....	149
Engine Speed Limiter	149
Reverse Lockout.....	150
Automatic Transmission.....	151
Shift Lever Position Indicator..	151
Engine Speed Limiter	155
Shift Lock Release.....	156
Parking	157
The Braking System.....	158
Brake Wear Indicators.....	158
Brake System Design.....	159
Anti-lock Brakes	159
Important Safety	
Reminders	160
ABS Indicator	161
Traction Control System.....	162
TCS ON/OFF Switch.....	163
TCS Indicator	163
Driving in Bad Weather	164
Towing a Trailer	165

Preparing to Drive

You should do the following checks and adjustments every day before you drive your car.

1. Make sure all windows, mirrors, and outside lights are clean and unobstructed. Remove frost, snow, or ice.
2. Check that the hood, trunk and rear window are fully closed.
3. Visually check the tires. If a tire looks low, use a gauge to check its pressure.
4. Check that any items you may be carrying with you inside are stored properly or fastened down securely.
5. Check the adjustment of the seat (see page [71](#)).
6. Check the adjustment of the inside and outside mirrors (see page [81](#)).
7. Check the adjustment of the steering wheel (see page [61](#)).
8. Make sure the doors are securely closed and locked.
9. Fasten your seat belt. Check that your passenger has fastened his or her seat belt (see page [15](#)).
10. Turn the ignition switch ON (II). Check the indicator lights in the instrument panel.
11. Start the engine (see page [147](#)).
12. Check the gauges and indicator lights in the instrument panel (see page [48](#)).

1. Apply the parking brake.
2. In cold weather, turn off all electrical accessories to reduce the drain on the battery.
3. *Manual Transmission:*
Push the clutch pedal down all the way. START (III) does not function unless the clutch pedal is depressed.

Automatic Transmission:
Make sure the shift lever is in Park. Press on the brake pedal.
4. Without touching the accelerator pedal, turn the ignition key to the START (III) position. If the engine does not start right away, do not hold the key in START (III) for more than 15 seconds at a time. Pause for at least 10 seconds before trying again.

5. If the engine does not start within 15 seconds, or starts but stalls right away, repeat step 4 with the accelerator pedal pressed half-way down. If the engine starts, release pressure on the accelerator pedal so the engine does not race.
6. If the engine still does not start, press the accelerator pedal all the way down and hold it there while starting in order to clear flooding. As before, keep the ignition key in the START (III) position for no more than 15 seconds. Return to step 5 if the engine does not start. If it starts, lift your foot off the accelerator pedal so the engine does not race.

Starting in Cold Weather at High Altitude (Above 8,000 feet/ 2,400 meters)

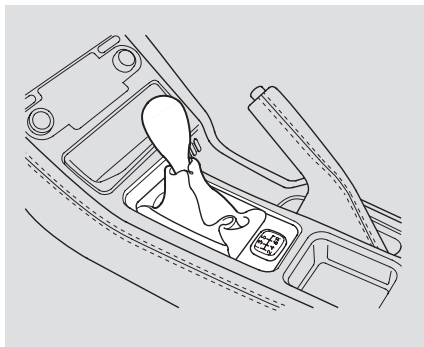
An engine is harder to start in cold weather. The thinner air found at high altitude above 8,000 feet

(2,400 meters) adds to the problem.

Use the following procedure:

1. Turn off all electrical accessories to reduce the drain on the battery.
2. Push the accelerator pedal half-way to the floor and hold it there while starting the engine. Do not hold the ignition key in START (III) for more than 15 seconds. When the engine starts, release the accelerator pedal gradually as the engine speeds up and smooths out.
3. If the engine fails to start in step 2, push the accelerator pedal to the floor and hold it there while you try to start the engine for no more than 15 seconds. If the engine does not start, return to step 2.

6-speed Manual Transmission



The manual transmission is synchronized in all forward gears for smooth operation. It has a lockout so you cannot shift directly from Fifth to Reverse instead of Sixth (see page 150). When shifting up or down, make sure you push the clutch pedal down all the way, shift to the next gear, and let the pedal up gradually. When you are not shifting, do not rest your foot on the clutch pedal. This can cause your clutch to wear out faster.

Come to a full stop before you shift into Reverse. You can damage the transmission by trying to shift into Reverse with the car moving. Push down the clutch pedal, and pause for a few seconds before shifting into Reverse, or shift into one of the forward gears for a moment. This stops the gears so they won't "grind."

When slowing down, you can get extra braking from the engine by shifting to a lower gear. This extra braking can help you maintain a safe speed and prevent your brakes from overheating while going down a steep hill. Before downshifting, make sure engine speed will not go into the tachometer's red zone in the lower gear.

⚠ WARNING

Rapid slowing or speeding-up can cause loss of control on slippery surfaces. If you crash, you can be injured.

Use extra care when driving on slippery surfaces.

Recommended Shift Points

Drive in the highest gear that lets the engine run and accelerate smoothly. This will give you the best fuel economy and effective emissions control. The following shift points are recommended:

Shift Up	Normal Acceleration
1st to 2nd	15 mph (24 km/h)
2nd to 3rd	25 mph (40 km/h)
3rd to 4th	40 mph (64 km/h)
4th to 5th	47 mph (75 km/h)
5th to 6th	52 mph (83 km/h)

Engine Speed Limiter

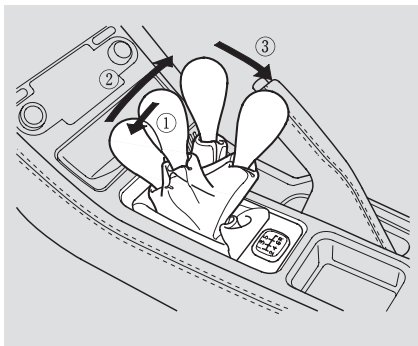
If you exceed the maximum speed for the gear you are in, the engine speed will enter into the tachometer's red zone. If this occurs, you may feel the engine cut in and out. This is caused by a limiter in the engine's computer controls. The engine will run normally when you reduce the RPM below the red zone.

Before downshifting, make sure the engine will not go into the tachometer's red zone.

6-speed Manual Transmission

Reverse Lockout

The 6-speed manual transmission has an electric lockout so you cannot accidentally shift from Fifth to Reverse instead of Sixth. If you cannot shift to Reverse when the car is stopped:



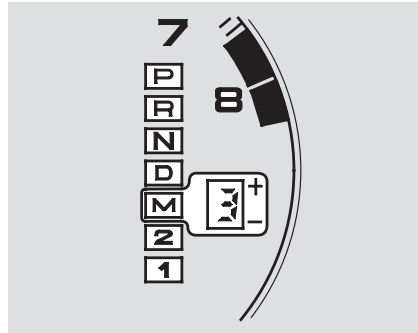
1. With the clutch pedal depressed, move the shift lever to the First/Second gear side of the Neutral gate, then shift to Reverse.

2. If you are still unable to shift to Reverse, apply the parking brake and turn the ignition key to ACCESSORY (I) or LOCK (0).
3. Depress the clutch pedal and shift to Reverse.
4. With the clutch pedal still depressed, start the engine.

If you need to use this procedure to shift to Reverse, your car may be developing a problem. Have the car checked by your Acura dealer.

Your Acura's transmission has four forward speeds, and is electronically controlled for smoother shifting. It also has a "lock-up" torque converter for better fuel economy. You may feel what seems like another shift when the converter locks.

Shift Lever Position Indicator

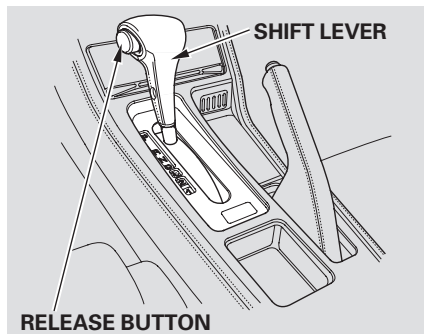


This display is in the tachometer. It shows you the position of the console shift lever. The illuminated number next to the "M" indicator shows you the gear you have selected when selecting 3/M position.

The "D" indicator comes on for a few seconds when you turn the ignition switch ON (II). If it flashes at any time (in any shift position), it indicates a possible problem in the transmission. Avoid rapid acceleration and have the transmission checked by an authorized Acura dealer as soon as possible.

Automatic Transmission

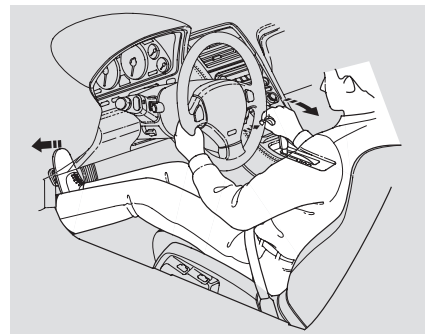
Shift Lever Positions



The console shift lever has seven positions. It must be in Park or Neutral to start the engine.

The shift lever on the steering column's right pod allows you to shift up and down manually when the console shift lever is in the "3/M" position.

To shift from:	Do this:
P to R	Press the brake pedal and push the release button.
R to P N to R 3/M to 2 2 to 1	Push the release button.
1 to 2 2 to 3/M 3/M to D D to N D to 3/M N to D R to N	Move the lever.



Park (P) – This position mechanically locks the transmission. Use Park whenever you are turning off or starting the engine. To shift out of Park, you must press on the brake pedal and have your foot off the accelerator pedal. Press the release button on the side of the shift lever to move it.

If you have done all of the above and still cannot move the lever out of Park, see Shift Lock Release on page 156 .

You must also press the release button to shift into Park. To avoid transmission damage, come to a complete stop before shifting into Park. The shift lever must be in Park before you can remove the key from the ignition switch.

Reverse (R) — To shift to Reverse from Park, see the explanation under Park. To shift to Reverse from Neutral, come to a complete stop and then shift. Press the release button before shifting into Reverse from Neutral.

Neutral (N) — Use Neutral if you need to restart a stalled engine, or if it is necessary to stop briefly with the engine idling. Shift to Park position if you need to leave the car for any reason. Press on the brake pedal when you are moving the shift lever from Neutral to another gear.

Drive (D) — Use this position for your normal driving. The transmission automatically selects a suitable gear for your speed and acceleration. You may notice the transmission shifting up at higher speeds when the engine is cold. This helps the engine warm up faster.

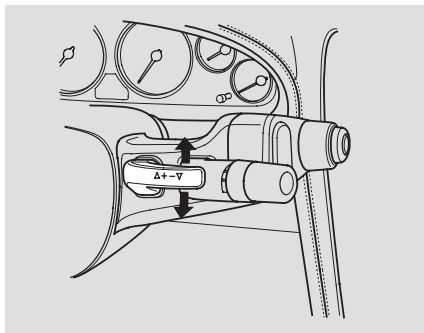
Press firmly on the brake pedal when you are stopped in Drive, 3/M, 2, 1, N or Reverse. Never press on the accelerator pedal at the same time.

For faster acceleration when passing, you can get the transmission to automatically downshift by pushing the accelerator pedal to the floor. The transmission will shift down to a lower gear.

CONTINUED

Automatic Transmission

SportShift (3/M) – With the console shift lever in this position, you can use the SportShift lever on the right pod to shift gears; much like a manual transmission without a clutch pedal. Each time you push up on the SportShift lever, the transmission will shift up to the next higher gear. Push down on the lever to downshift. The number of the selected gear is displayed next to the “M” indicator (See page 151).



If you move the console shift lever from “D” to “3/M” while the car is moving, the transmission remains in the gear it was in. If you do this while stopped, the transmission selects first gear.

When you accelerate away from a stop, the transmission will be in first gear. If you do not manually upshift to second gear, the transmission will automatically upshift when the engine reaches redline, or when you reduce pressure on the accelerator pedal. It will remain in second gear until you either upshift manually or come to a stop.

The transmission remains in the selected gear (4, 3, or 2). There is no automatic downshift when you push the accelerator pedal to the floor. The only time it will shift automatically is when the car comes to almost a complete stop. It will then downshift to first gear.

If you try to manually downshift at a speed that would cause the engine to exceed the redline in the lower gear, the transmission will not downshift. If that downshift is from second gear to first gear, the gear indicator will flash “1” several times, then return to “2”.

When manually downshifting from second gear to first gear below redline, you must depress the accelerator pedal to get the transmission to downshift. If you do not, the gear indicator will flash as described. This is not necessary when downshifting in any of the other gears.

Second (2) — To shift to Second, press the release button on the side of the shift lever. This position locks the transmission in second gear. It does not downshift to first gear when you come to a stop. Second gives you more power when climbing, and increased engine braking when going down steep hills. Use second gear when starting out on a slippery surface or in deep snow. It will help reduce wheelspin.

First (1) — To shift from Second to First, press the release button on the shift lever. With the lever in this position, the transmission locks in First gear.

Engine Speed Limiter

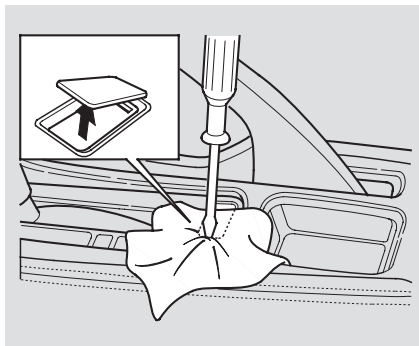
If you exceed the maximum speed for the gear you are in, the engine speed will enter into the tachometer's red zone. If this occurs, you may feel the engine cut in and out. This is caused by a limiter in the engine's computer controls. The engine will run normally when you reduce the RPM below the red zone.

Automatic Transmission

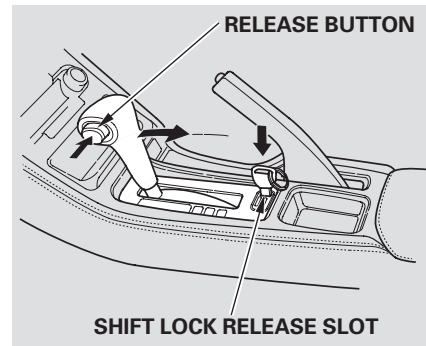
Shift Lock Release

This allows you to move the shift lever out of Park if the normal method of pushing on the brake pedal and pressing the release button does not work.

1. Set the Parking brake.
2. Remove the key from the ignition switch.
3. Put a cloth on the edge of the Shift Lock Release slot cover next to the shift lever. Use a small flat-tipped screwdriver or finger nail file to remove the cover. Carefully pry off the edge of the cover.



4. Insert the key in the Shift Lock Release slot next to the shift lever.
5. Push down on the key while you press the release button on the shift lever and move the shift lever out of Park to Neutral.



6. Remove the key from the Shift Lock Release slot. Depress the brake pedal and restart the engine.

If you need to use the Shift Lock Release, it means your car is developing a problem. Have the car checked by your Acura dealer.

Always use the parking brake when you park your car. The indicator on the instrument panel shows that the parking brake is not fully released; it does not indicate that the parking brake is firmly set. Make sure the parking brake is set firmly or your car may roll if it is parked on an incline.

If your car has an automatic transmission, set the parking brake before you put the transmission in Park. This keeps the car from moving and putting pressure on the parking mechanism in the transmission — making it easier to move the shift lever out of Park when you want to drive away.

If the car is facing uphill, turn the front wheels away from the curb. If the car is facing downhill, turn the front wheels toward the curb.

Make sure the parking brake is fully released before driving away. Driving with the parking brake partially set can overheat or damage the rear brakes, and will cause the ABS indicator to light.

Parking Tips

- Make sure the moonroof and the windows are closed.
- Turn off the lights.
- Place any packages, valuables, etc., in the trunk or take them with you.
- Lock the doors with the key. Check the indicator on the driver's door to verify that the security system is set.
- Never park over dry leaves, tall grass, or other flammable materials. The three way catalytic converter gets very hot, and could cause these materials to catch on fire.

The Braking System

Your Acura is equipped with disc brakes at all four wheels. A power assist helps reduce the effort needed on the brake pedal. The ABS helps you retain steering control when braking very hard.

Put your foot on the brake pedal only when you intend to brake. Resting your foot on the pedal keeps the brakes applied lightly, causing them to build up heat. Heat build-up can reduce how well your brakes work. It also keeps your brake lights on all the time, confusing drivers behind you.

Constant application of the brakes when going down a long hill builds up heat and reduces their effectiveness. Use the engine to assist the brakes by downshifting to a lower gear and taking your foot off the accelerator pedal.

Check your brakes after driving through deep water. Apply the brakes moderately to see if they feel normal. If not, apply them gently and frequently until they do. Since a longer distance is needed to stop with wet brakes, be extra cautious and alert in your driving.

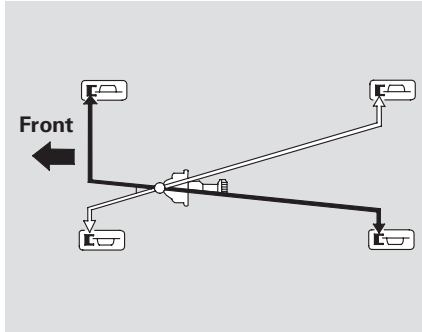
Brake Wear Indicators

All four brakes have audible brake wear indicators. When the brake pads need replacing, you will hear a distinctive metallic “screeching” sound when you apply the brakes. If you do not have the brake pads replaced, they will begin screeching all the time.

Your brakes may sometimes squeal or squeak when you apply them lightly. Do not confuse this with the brake wear indicators. They make a very audible “screeching.”

Brake System Design

The hydraulic system that operates the brakes has two separate circuits. Each circuit works diagonally across the car (the left-front brake is connected with the right-rear brake, etc.). If one circuit should develop a problem, you will still have braking at two wheels.



Anti-lock Brakes

Your car has an Anti-lock Brake System (ABS) as standard equipment. ABS helps to prevent the wheels from locking up and skidding during hard braking, allowing you to retain steering control.

When the front tires skid, you lose steering control; the car continues straight ahead even though you turn the steering wheel. The ABS helps to prevent lock-up and helps you retain steering control by pumping the brakes rapidly; much faster than a person can do it.

CONTINUED

The Braking System

You should never pump the brake pedal; this defeats the purpose of the ABS. Let the ABS work for you by always keeping firm, steady pressure on the brake pedal as you steer away from the hazard. This is sometimes referred to as “*stomp and steer.*”

You will feel a pulsation in the brake pedal when the ABS activates, and you may hear some noise. This is normal; it is the ABS rapidly pumping the brakes.

Activation varies with the amount of traction your tires have. On dry pavement, you will need to press on the brake pedal very hard before you activate the ABS. However, you may feel the ABS activate immediately if you are trying to stop on snow or ice.

Important Safety Reminders

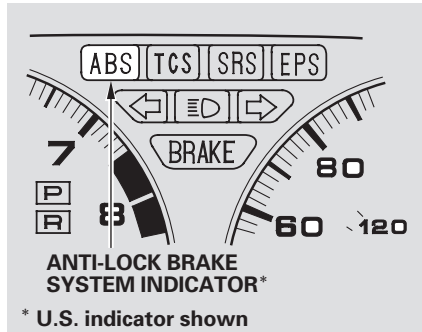
ABS does not reduce the time or distance it takes to stop the car; it only helps with steering control during braking. You should always maintain a safe following distance from other vehicles.

ABS will not prevent a skid that results from changing direction abruptly, such as trying to take a corner too fast or making a sudden lane change. Always drive at a safe, prudent speed for the road and weather conditions.

ABS cannot prevent a loss of stability. Always steer moderately when you are braking hard. Severe or sharp steering wheel movement can still cause your car to veer into oncoming traffic or off the road.

A car with ABS may require a longer distance to stop on loose or uneven surfaces, such as gravel or snow, than a car without anti-lock. Slow down and allow a greater distance between cars under those conditions.

ABS Indicator

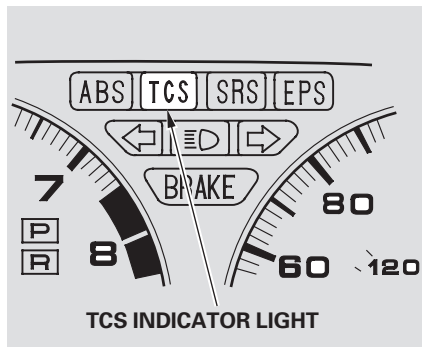


The ABS is self-checking. If anything goes wrong, the ABS indicator on the instrument panel comes on (see page 50). This means the anti-lock function of the braking system has shut down. The brakes still work like a conventional system without anti-lock, providing normal stopping ability. You should have the dealer inspect your car as soon as possible.

Traction Control System

Your Acura is equipped with a Traction Control System (TCS). TCS assists you in maintaining traction while accelerating on slippery surfaces. It does this by regulating the engine's power output when it senses either of the drive wheels starting to spin. This increases the car's traction and directional stability on loose or slippery road surfaces.

Driving with TCS requires no special skills or technique. The TCS does not affect braking, and cannot prevent skidding if you enter a corner too fast. It is still your responsibility to drive at reasonable speeds and to leave a sufficient margin of safety.

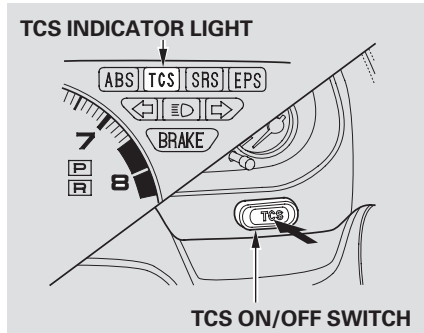


When driving on a loose or slippery road surface, you may notice that the engine does not respond to the accelerator in the same way it does at other times. This is a sign the TCS is activating. You will see the TCS indicator light flash.

You should still install winter tires on your car during the winter. Exercise the same caution in winter driving as you would if your car was not equipped with TCS.

Driving with the folding spare tire (see page 247) installed may activate the TCS. You may want to turn the system off under this condition.

TCS ON/OFF Switch



This switch is on the dashboard behind the right control pod. It lets you turn the Traction Control System on and off. You cannot turn off the TCS while the TCS indicator light is flashing.

Deactivate the system by pressing the TCS On/Off switch. The TCS indicator light comes on as a reminder. Pressing the switch again turns the system back on.

The Traction Control System turns on every time you start the engine, even if you turned it off the last time you drove the car.

TCS Indicator

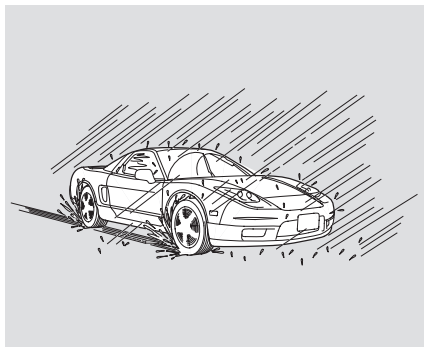
The TCS indicator comes on or flashes under the following conditions:

- When you turn the ignition switch to ON (II).
- When you manually turn off TCS.
- It flashes when the TCS is regulating the engine output to prevent wheelspin.
- If the system's diagnostics senses a problem with TCS, the indicator will come on and stay on.

If the TCS indicator comes on while driving, pull to the side of the road when it is safe and turn off the engine. Reset the system by restarting the engine, and watch the TCS indicator. If the indicator remains on, or comes back on while driving, have the TCS inspected by your Acura dealer. You can still drive the car without TCS.

The TCS indicator may occasionally come on for one or two seconds and then go out. This is normal.

Driving in Bad Weather



Rain, fog, and snow conditions require a different driving technique because of reduced traction and visibility. Keep your car well-maintained and exercise greater caution when you need to drive in bad weather. The cruise control should not be used in these conditions.

Driving Technique — Always drive slower than you would in dry weather. It takes your car longer to react, even in conditions that may seem just barely damp. Apply smooth, even pressure to all the controls. Abrupt steering wheel movements or sudden, hard application of the brakes can cause loss of control in wet weather. Be extra cautious for the first few miles (kilometers) of driving while you adjust to the change in driving conditions. This is especially true in snow. A person can forget some snow-driving techniques during the summer months. Practice is needed to relearn those skills.

Exercise extra caution when driving in rain after a long dry spell. After months of dry weather, the first rains bring oil to the surface of the roadway, making it slippery.

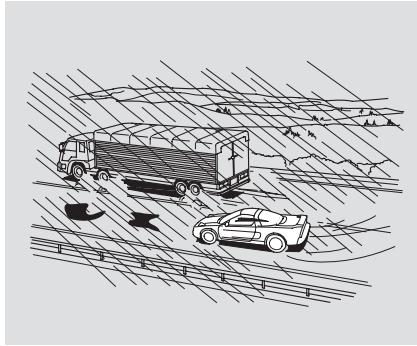
Visibility — Being able to see clearly in all directions and being visible to other drivers are important in all weather conditions. This is more difficult in bad weather. To be seen more clearly during daylight hours, turn on your headlights.

Inspect your windshield wipers and washers frequently. Keep the windshield washer reservoir full of the proper fluid. Have the windshield wiper blades replaced if they start to streak the windshield or leave parts unwiped. Use the defrosters and air conditioning to keep the windows from fogging up on the inside (see page 89).

Traction — Check your tires frequently for wear and proper pressure. Both are important in preventing “hydroplaning” (loss of traction on a wet surface). In the winter, mount snow tires on all four wheels for the best handling.

Watch road conditions carefully, they can change from moment to moment. Wet leaves can be as slippery as ice. “Clear” roads can have patches of ice. Driving conditions can be very hazardous when the outside temperature is near freezing. The road surface can become covered with areas of water puddles mixed with areas of ice, so your traction can change without warning.

Be careful when downshifting. If traction is low, you can lock up the drive wheels for a moment and cause a skid.



Be very cautious when passing, or being passed by other cars. The spray from large cars reduces your visibility, and the wind buffeting can cause you to lose control.

Towing a Trailer

Your NSX is not designed to tow a trailer. Attempting to do so can void your warranties.

This section explains why it is important to keep your car well maintained and how to follow basic maintenance safety precautions.

This section also includes Maintenance Schedules for normal driving and severe driving conditions, a Maintenance Record, and instructions for simple maintenance tasks you may want to take care of yourself.

If you have the skills and tools to perform more complex maintenance tasks on your Acura, you may want to purchase the Service Manual. See page 289 for information on how to obtain a copy, or see your Acura dealer.

Maintenance Safety.....	168	Hood Latch.....	199
Important Safety Precautions ..	169	Spark Plugs.....	199
Maintenance Schedule.....	170	Replacement.....	199
Required Maintenance Record....	177	Specifications	201
Owner Maintenance Checks.....	179	Battery	202
Fluid Locations.....	180	Wiper Blades.....	205
Engine Oil.....	181	Air Conditioning System.....	207
Adding Oil.....	181	Drive Belts.....	208
Recommended Oil.....	181	Timing Belt.....	208
Synthetic Oil.....	182	Tires	209
Additives.....	182	Inflation.....	209
Changing the Oil and Filter.....	183	Inspection	211
Cooling System	185	Maintenance.....	212
Adding Engine Coolant.....	185	Tire Rotation	212
Replacing Engine Coolant	187	Tire Wear.....	212
Windshield Washers	192	Replacing Tires and Wheels ...	213
Transmission Fluid.....	193	Wheels and Tires.....	214
Automatic Transmission.....	193	Winter Driving	214
6-speed Manual	194	Snow Tires.....	215
Transmission.....	194	Tire Chains.....	215
Brake and Clutch Fluid.....	195	Lights	216
Brake Fluid.....	195	Replacing Bulbs	218
Brake System.....	195	Storing Your Car.....	226
Clutch System	196		
Air Cleaner Element.....	197		
Fuel Filter	198		

Maintenance Safety

Regularly maintaining your car is the best way to protect your investment. Proper maintenance is essential to your safety and the safety of your passengers. It will also reward you with more economical, trouble-free driving, and help reduce air pollution.

WARNING

Improperly maintaining this car or failing to correct a problem before driving can cause a crash in which you can be seriously hurt or killed.

Always follow the inspection and maintenance recommendations and schedules in this owner's manual.

This section includes instructions for simple maintenance tasks, such as checking and adding oil. Any service items not detailed in this section should be performed by an Acura technician or other qualified mechanic.

Some of the most important safety precautions are given here. However, we cannot warn you of every conceivable hazard that can arise in performing maintenance. Only you can decide whether or not you should perform a given task.

WARNING

Failure to properly follow maintenance instructions and precautions can cause you to be seriously hurt or killed.

Always follow the procedures and precautions in this owner's manual.

Important Safety Precautions

Before you begin any maintenance, make sure your car is parked on level ground and that the parking brake is set. Also, be sure the engine is off. This will help to eliminate several potential hazards:

- **Carbon monoxide poisoning from engine exhaust.** Be sure there is adequate ventilation whenever you operate the engine.
- **Burns from hot parts.** Let the engine and exhaust system cool before touching any parts.
- **Injury from moving parts.** Do not run the engine unless instructed to do so.

Read the instructions before you begin, and make sure you have the tools and skills required.

To reduce the possibility of fire or explosion, be careful when working around gasoline or batteries. Use a commercially available degreaser or parts cleaner, not gasoline, to clean parts. Keep cigarettes, sparks, and flames away from the battery and all fuel-related parts.

You should wear eye protection and protective clothing when working near the battery or when using compressed air.

Maintenance Schedule

The Maintenance Schedule specifies how often you should have your car serviced and what things need attention. It is essential that you have your car serviced as scheduled to retain its high level of safety, dependability, and emissions control performance.

The services and time or distance intervals shown in the maintenance schedule assume you will use your car as normal transportation for your passenger and possessions. You should also follow these recommendations:

- Avoid exceeding your car's load limit. This puts excess stress on the engine, brakes, and many other parts of your car. The load limit is shown on the label on the driver's doorjamb.
- Operate your car on reasonable roads within the legal speed limit.
- Drive your car regularly over a distance of several miles (kilometers).
- Always use unleaded gasoline with the proper octane rating (see page [130](#)).

Which Schedule to Follow:

Service your car according to the time and mileage periods on one of the Maintenance Schedules on the following pages. Select the schedule for "Severe Conditions" if most of your driving is done under one or more of the conditions listed on that page. Otherwise, follow the schedule for "Normal Conditions."

Your authorized Acura dealer knows your car best and can provide competent, efficient service. However, service at a dealer is not mandatory to keep your warranties in effect. Maintenance may be done by any qualified service facility or person who is skilled in this type of automotive service. Keep all the receipts as proof of completion, and have the person who does the work fill out the Maintenance Record. Check your warranty booklet for more information.

We recommend the use of genuine Acura parts and fluids whenever you have maintenance done. These are manufactured to the same high-quality standards as the original components, so you can be confident of their performance and durability.

U.S. Cars:

Maintenance, replacement or repair of emissions control devices and systems may be done by any automotive repair establishment or individual using parts that are “certified” to EPA standards.

According to state and federal regulations, failure to perform maintenance on the items marked with # will not void your emissions warranties. However, Acura recommends that all maintenance services be performed at the recommended time or mileage period to ensure long-term reliability.

Service at the indicated distance or time – whichever comes first.	miles x 1,000	15	30	45	60	75	90	105	120
	km x 1,000	24	48	72	96	120	144	168	192
	months	12	24	36	48	60	72	84	96
Replace engine oil	Replace every 7,500 miles (12,000 km) or 1 year								
Replace engine oil filter	●	●	●	●	●	●	●	●	●
Check engine oil and coolant	Check oil and coolant at each fuel stop								
Replace air cleaner element		●		●		●		●	
Inspect valve clearance	Inspect every 105,000 miles (168,000 km), otherwise adjust only if noisy								
Replace spark plugs								●	
Replace timing belt, and inspect water pump								●	
Inspect and adjust drive belts		●		●		●		●	
Replace fuel filter [‡]				●					●
Inspect idle speed								●	
Replace engine coolant	120,000 miles (192,000 km) or 10 years, then every 60,000 miles (96,000 km) or 5 years								
Replace transmission fluid	M/T	Every 120,000 miles (192,000 km) or 6 years							
	A/T	120,000 miles (192,000 km) or 6 years, then every 90,000 miles (144,000 km) or 5 years							
Inspect front and rear brakes	●	●	●	●	●	●	●	●	●
Replace brake fluid (including ABS)	Every 3 years (independent of mileage)								
Check parking brake adjustment	●	●	●	●	●	●	●	●	●
Check tire inflation and condition at least once per month	Every 7,500 miles (12,000 km)								
Visually inspect the following items:									
Tie rod ends, steering gear box, and boots									
Suspension components									
Driveshaft boots									
Brake hoses and lines (including ABS)	●	●	●	●	●	●	●	●	●
All fluid levels and condition of fluids									
Exhaust system [‡]									
Fuel lines and connections [‡]									

U.S. Owners

Follow the Normal Conditions Maintenance Schedule if the severe driving conditions specified in the Severe Conditions Maintenance Schedule do not apply.

NOTE: If you only *OCCASIONALLY* drive under a “severe” condition, you should follow the Normal Conditions Maintenance Schedule.

Canadian Owners

Follow the Maintenance Schedule for Severe Conditions.

: See information on maintenance and emissions warranty, last column, page 171.

Service at the indicated distance or time, whichever comes first. Do the items in **A, B, C** as required for each distance/time interval.

U.S. Owners – Refer to page 172 to determine which schedule to use.

Canadian Owners – Use the Maintenance Schedule for Severe Conditions.

7,500 mi/12,000 km	Do items in A.
15,000 mi/24,000 km/1 yr	Do items in A, B.
22,500 mi/36,000 km	Do items in A.
30,000 mi/48,000 km/2 yrs	Do items in A, B, C.
37,500 mi/60,000 km	Do items in A.
45,000 mi/72,000 km/3 yrs	Do items in A, B.
3 years	<input type="checkbox"/> Replace brake fluid (independent of mileage).
52,500 mi/84,000 km	Do items in A.
60,000 mi/96,000 km/4 yrs	<input type="checkbox"/> Replace fuel filter [#] . Do items in A, B, C.
67,500 mi/108,000 km	Do items in A.
75,000 mi/120,000 km/5 yrs	Do items in A, B.
82,500 mi/132,000 km	Do items in A.
90,000 mi/144,000 km/6 yrs	Do items in A, B, C.
6 years	<input type="checkbox"/> Replace brake fluid (independent of mileage).
97,500 mi/156,000 km	Do items in A.
105,000 mi/168,000 km/7 yrs	<input type="checkbox"/> Replace timing belt, inspect water pump. <input type="checkbox"/> Check idle speed. <input type="checkbox"/> Replace spark plugs. <input type="checkbox"/> Inspect valve clearance. Do items in A, B.
112,500 mi/180,000 km	Do items in A.
120,000 mi/192,000 km/8 yrs	<input type="checkbox"/> Replace fuel filter [#] . Do items in A, B, C.
120,000 mi/192,000 km/10 yrs	<input type="checkbox"/> Replace engine coolant, then replace every 60,000 mi/96,000 km/5 yrs.
120,000 mi/192,000 km/6 yrs	<input type="checkbox"/> Replace transmission fluid. M/T: every 120,000 mi/192,000 km/6 yrs A/T: 120,000 mi/192,000 km/6 yrs, then every 90,000 mi/144,000 km/5 yrs.

A	<input type="checkbox"/> Replace engine oil. <input type="checkbox"/> Check tire inflation and condition at least once per month.
B	<input type="checkbox"/> Replace engine oil filter. <input type="checkbox"/> Inspect front and rear brakes. <input type="checkbox"/> Check parking brake adjustment. <input type="checkbox"/> Inspect tie rod ends, steering gear box and boots. <input type="checkbox"/> Inspect suspension components. <input type="checkbox"/> Inspect driveshaft boots. <input type="checkbox"/> Inspect brake hoses and lines (including ABS). <input type="checkbox"/> Check all fluid levels, condition of fluids, and check for leaks. <input type="checkbox"/> Inspect cooling system hoses and connections. <input type="checkbox"/> [#] Inspect exhaust system. <input type="checkbox"/> [#] Inspect fuel lines and connections.
C	<input type="checkbox"/> Replace air cleaner element. <input type="checkbox"/> Inspect and adjust drive belts.

: See information on maintenance and emissions warranty, last column, page 171.

Note :

- Check engine oil and coolant at each fuel stop.
- Check and adjust valve clearance, cold engine, only if noisy.

Service at the indicated distance or time – whichever comes first.	miles x 1,000	15	30	45	60	75	90	105	120
	km x 1,000	24	48	72	96	120	144	168	192
	months	12	24	36	48	60	72	84	96
Replace engine oil and oil filter	Replace every 3,750 miles (6,000 km) or 6 months								
Check engine oil and coolant	Check oil and coolant at each fuel stop								
Clean or replace air cleaner element	Clean: every 7,500 miles (12,000 km) or 6 months								
Use normal schedule except in dusty conditions	Replace: every 30,000 miles (48,000 km) or 2 years								
Inspect valve clearance	Inspect every 105,000 miles (168,000 km), otherwise adjust only if noisy								
Replace spark plugs								●	
Replace timing belt ^{*1, #} and inspect water pump								●	
Inspect and adjust drive belts		●		●			●		●
Replace fuel filter [#]				●					●
Inspect idle speed								●	
Replace engine coolant	120,000 miles (192,000 km) or 10 years, then every 60,000 miles (96,000 km) or 5 years								
Replace transmission fluid	M/T	Every 60,000 miles (96,000 km) or 3 years							
	A/T	60,000 miles (96,000 km) or 3 years, then every 30,000 miles (48,000 km) or 2 years							
Inspect front and rear brakes	Inspect every 7,500 miles (12,000 km) or 6 months								
Replace brake fluid (including ABS)	Every 3 years (independent of mileage)								
Check parking brake adjustment	●	●	●	●	●	●	●	●	●
Lubricate all hinges, locks and latches	●	●	●	●	●	●	●	●	●
Check tire inflation and condition at least once per month	Every 7,500 miles (12,000 km)								
Visually inspect the following items:									
Tie rod ends, steering gear box, and boots	Every 7,500 miles (12,000 km) or 6 months								
Suspension components, Driveshaft boots									
Brake hoses and lines (including ABS)									
All fluid levels and condition of fluids	●	●	●	●	●	●	●	●	●
Exhaust system [#] , Fuel lines and connections [#]									
Lights and controls, Vehicle underbody									

* 1 : Refer to page 208 for replacement information under special driving conditions.

U.S. Owners

Follow the Severe Conditions Maintenance Schedule if you drive your vehicle *MAINLY* under one or more of the following conditions:

- Driving less than 5 miles (8 km) per trip or, in freezing temperatures, driving less than 10 miles (16 km) per trip.
- Driving in extremely hot [over 90°F (32°C)] conditions.
- Extensive idling or long periods of stop-and-go driving.
- Driving with a car-top carrier, or driving in mountainous conditions.
- Driving on muddy, dusty, or de-iced roads.

Canadian Owners

Follow the Maintenance Schedule for Severe Conditions.

: See information on maintenance and emissions warranty, last column, page 171.

Service at the indicated distance or time, whichever comes first. Do the items in **A, B, C, D** as required for each distance/time.

U.S. Owners — Refer to page 174 to determine which schedule to use.

Canadian Owners — Use the Maintenance Schedule for Severe Conditions.

3,750 mi/6,000 km	Do items in A.
7,500 mi/12,000 km	Do items in A, B.
11,250 mi/18,000 km	Do items in A.
15,000 mi/24,000 km/1 yr	Do items in A, B, C.
18,750 mi/30,000 km	Do items in A.
22,500 mi/36,000 km	Do items in A, B.
26,250 mi/42,000 km	Do items in A.
30,000 mi/48,000 km/2 yrs	Do items in A, B, C, D.
33,750 mi/54,000 km	Do items in A.
37,500 mi/60,000 km	Do items in A, B.
41,250 mi/66,000 km	Do items in A.
45,000 mi/72,000 km/3 yrs	Do items in A, B, C.
3 years	<input type="checkbox"/> Replace brake fluid (independent of mileage).
48,750 mi/78,000 km	Do items in A.
52,500 mi/84,000 km	Do items in A, B.
56,250 mi/90,000 km	Do items in A.
60,000 mi/96,000 km/3 yrs	<input type="checkbox"/> Replace transmission fluid (M/T, A/T).
60,000 mi/96,000 km/4 yrs	<input type="checkbox"/> Replace fuel filter. <input type="checkbox"/> Replace timing belt* ¹ , and inspect water pump. Do items in A, B, C, D.

* 1: See timing belt on page 208 to determine need for replacement.

: See information on maintenance and emissions warranty, last column, page 171.

Note:

- Check engine oil and coolant at each fuel stop.
- Check and adjust valve clearance, cold engine, only if noisy.

A	<input type="checkbox"/> Replace engine oil and filter.
B	<input type="checkbox"/> Clean air cleaner element.
	<input type="checkbox"/> Inspect front and rear brakes.
	<input type="checkbox"/> Check tire inflation and condition at least once per month.
	<input type="checkbox"/> Inspect tie rod ends, steering gear box and boots.
C	<input type="checkbox"/> Inspect suspension components.
	<input type="checkbox"/> Inspect driveshaft boots.
	<input type="checkbox"/> Check parking brake adjustment.
	<input type="checkbox"/> Lubricate all hinges, locks and latches with multipurpose grease.
	<input type="checkbox"/> Clean antenna mast.
	<input type="checkbox"/> Inspect brake hoses and lines (including ABS).
	<input type="checkbox"/> Check all fluid levels, condition of fluids, and check for leaks.
	<input type="checkbox"/> Inspect cooling system hoses and connections.
	<input type="checkbox"/> # Inspect exhaust system.
	<input type="checkbox"/> # Inspect fuel lines and connections.
D	<input type="checkbox"/> Check all lights and controls.
	<input type="checkbox"/> Inspect the underbody.
	<input type="checkbox"/> Replace air cleaner element.
	<input type="checkbox"/> Inspect and adjust drive belts.

63,750 mi/102,000 km	Do items in A.
67,500 mi/108,000 km	Do items in A, B.
71,250 mi/114,000 km	Do items in A.
75,000 mi/120,000 km/5 yrs	Do items in A, B, C.
78,750 mi/126,000 km	Do items in A.
82,500 mi/132,000 km	Do items in A, B.
86,250 mi/138,000 km	Do items in A.
90,000 mi/144,000 km/6 yrs	Do items in A, B, C, D.
6 years	<input type="checkbox"/> Replace brake fluid (independent of mileage).
90,000 mi/144,000 km/5 yrs	<input type="checkbox"/> Replace transmission fluid (A/T).
93,750 mi/150,000 km	Do items in A.
97,500 mi/156,000 km	Do items in A, B.
101,250 mi/162,000 km	Do items in A.
105,000 mi/168,000 km/7 yrs	<input type="checkbox"/> Replace timing belt* ¹ , and inspect water pump. <input type="checkbox"/> Check idle speed. <input type="checkbox"/> Replace spark plugs. <input type="checkbox"/> Inspect valve clearance. Do items in A, B, C.
108,750 mi/174,000 km	Do items in A.
112,500 mi/180,000 km	Do items in A, B.
116,250 mi/186,000 km	Do items in A.
120,000 mi/192,000 km/8 yrs	<input type="checkbox"/> ² Replace fuel filter. <input type="checkbox"/> Replace timing belt* ¹ , and inspect water pump. Do items in A, B, C, D.
120,000 mi/192,000 km/10 yrs	<input type="checkbox"/> Replace engine coolant, then replace every 60,000 mi/96,000 km/5 yrs.
120,000 mi/192,000 km/6 yrs	<input type="checkbox"/> Replace transmission fluid (M/T).
120,000 mi/192,000 km/7 yrs	<input type="checkbox"/> Replace transmission fluid (A/T).

* 1 : See timing belt on page 208 to determine need for replacement.

: See information on maintenance and emissions warranty, last column, page 171 .

NOTE:

- Check engine oil and coolant at each fuel stop.
- Check and adjust valve clearance, cold engine, only if noisy.

Required Maintenance Record (for Normal and Severe Schedules)

You or the servicing dealer can record all completed maintenance here, whether you follow the schedule for normal conditions (page 172) or severe conditions (page 174). Keep the receipts for all work done on your vehicle.

3,750 mi 6,000 km	Signature or dealer stamp	mi/km
		Date
7,500 mi 12,000 km		mi/km
		Date
11,250 mi 18,000 km		mi/km
		Date
15,000 mi 24,000 km (or 1 year)		mi/km
		Date
18,750 mi 30,000 km		mi/km
		Date
22,500 mi 36,000 km		mi/km
		Date
26,250 mi 42,000 km		mi/km
		Date
30,000 mi 48,000 km (or 2 years)		mi/km
		Date

33,750 mi 54,000 km	Signature or dealer stamp	mi/km
		Date
37,500 mi 60,000 km		mi/km
		Date
41,250 mi 66,000 km		mi/km
		Date
45,000 mi 72,000 km (or 3 years)		mi/km
		Date
48,750 mi 78,000 km		mi/km
		Date
52,500 mi 84,000 km		mi/km
		Date
56,250 mi 90,000 km		mi/km
		Date
60,000 mi 96,000 km (or 4 years)		mi/km
		Date

Required Maintenance Record (for Normal and Severe Schedules)

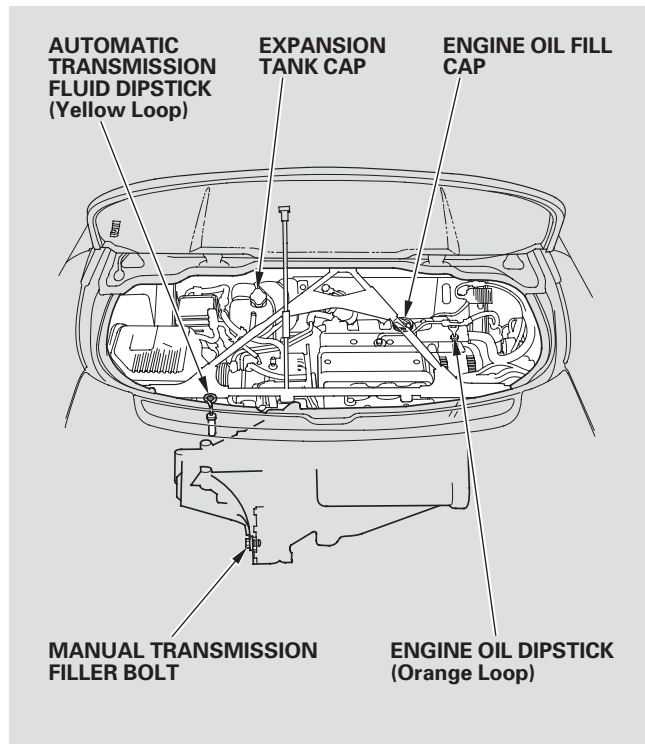
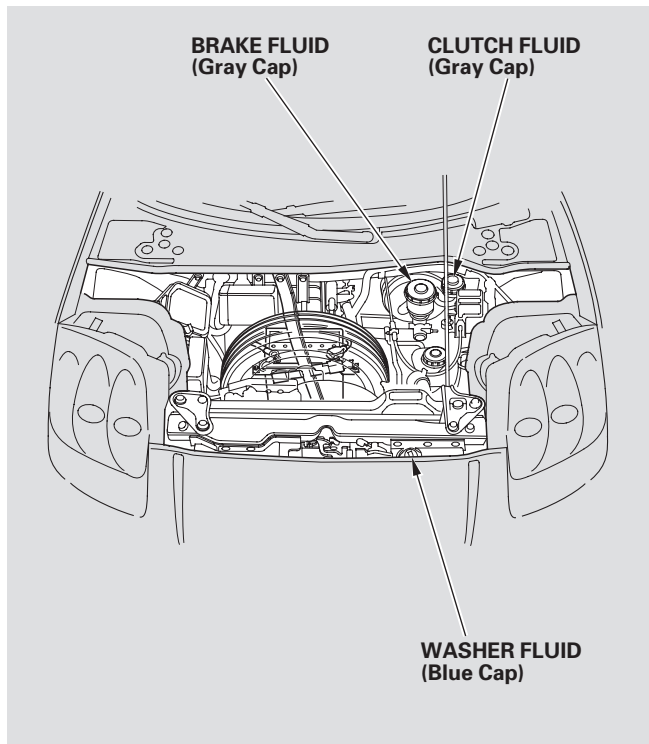
63,750 mi 102,000 km	Signature or dealer stamp	mi/km
		Date
67,500 mi 108,000 km		mi/km
		Date
71,250 mi 114,000 km		mi/km
		Date
75,000 mi 120,000 km (or 5 years)		mi/km
		Date
78,750 mi 126,000 km		mi/km
		Date
82,500 mi 132,000 km		mi/km
		Date
86,250 mi 138,000 km		mi/km
		Date
90,000 mi 144,000 km (or 6 years)		mi/km
		Date

93,750 mi 150,000 km	Signature or dealer stamp	mi/km
		Date
97,500 mi 156,000 km		mi/km
		Date
101,250 mi 162,000 km		mi/km
		Date
105,000 mi 168,000 km (or 7 years)		mi/km
		Date
108,750 mi 174,000 km		mi/km
		Date
112,500 mi 180,000 km		mi/km
		Date
116,250 mi 186,000 km		mi/km
		Date
120,000 mi 192,000 km (or 8 years)		mi/km
		Date

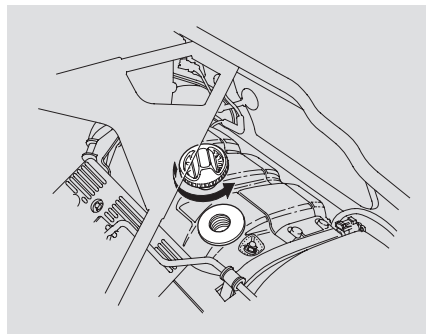
You should check the following items at the specified intervals. If you are unsure of how to perform any check, turn to the page given.

- Engine oil level — Check every time you fill the fuel tank. See page [133](#).
 - Engine coolant level — Check the expansion tank every time you fill the fuel tank. See page [135](#).
 - Windshield washer fluid — Check the level in the reservoir monthly. If weather conditions cause you to use the washers frequently, check the reservoir each time you stop for fuel. See page [192](#).
 - Automatic transmission — Check the fluid level monthly. See page [193](#).
 - Brakes and clutch — Check the fluid level monthly. See page [195](#).
- Tires — Check the tire pressure monthly. Examine the tread for wear and foreign objects. See page [209](#).
 - Lights — Check the operation of the headlights, parking lights, taillights, turn signals, brake lights, and license plate lights monthly. See page [216](#).

Fluid Locations



Adding Oil



To add oil, unscrew and remove the engine oil fill cap on top of the left valve cover. Pour in the oil, and replace the engine oil fill cap. Tighten it securely. Wait a few minutes and recheck the oil level. Do not fill above the upper mark; you could damage the engine.

Pour the oil slowly and carefully so you do not spill. Clean up any spills immediately. Spilled oil could damage components in the engine compartment.

Recommended Oil

Oil is major contributor to your engine's performance and longevity. Always use a premium-grade detergent oil displaying the API Certification Seal. This seal indicates the oil is energy conserving, and that it meets the American Petroleum Institute's latest requirements. It is highly recommended that you use Honda Motor Oil in your vehicle for as long as you own it.

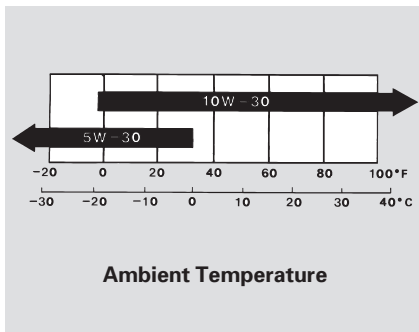
CONTINUED

Engine Oil

Make sure the API Certification Seal says “For Gasoline Engines.”



The numbers on the container's label tell you the oil's viscosity or weight. Select the oil for your car according to this chart.



An oil with a viscosity of 10W-30 is preferred for optimum fuel economy and year-round protection in your Acura. You may use a 5W-30 oil if the temperature in your area goes below 32°F (0°C).

Synthetic Oil

You may use a synthetic motor oil if it meets the same requirements given for conventional motor oil: it displays the API Certification Seal, and it is the proper weight as shown on the chart. When using synthetic oil, you must follow the oil and filter change intervals given in the maintenance schedule.

Additives

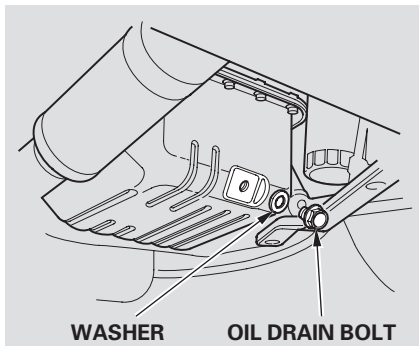
Your Acura does not need any oil additives. Purchasing additives for the engine or transmission will not increase your car's performance or longevity. It only increases the cost of operating your car.

Changing the Oil and Filter

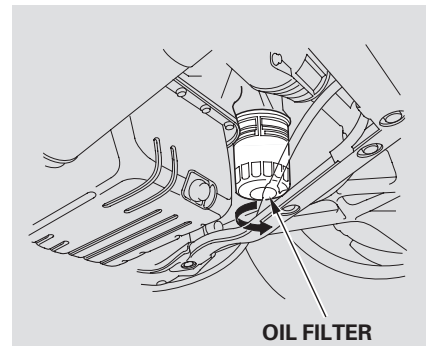
Always change the oil and filter according to the time and distance (miles/kilometers) recommendations in the maintenance schedule. The oil and filter collect contaminants that can damage your engine if they are not removed regularly.

Changing the oil and filter requires special tools and access from underneath the car. The car should be raised on a service station-type hydraulic lift for this service. Unless you have the knowledge and proper equipment, you should have this maintenance done by a skilled mechanic.

1. Run the engine until it reaches normal operating temperature, then shut it off.



2. Remove the engine oil fill cap. Remove the oil drain bolt from the bottom of the engine. Drain the oil into an appropriate container.



3. Remove the oil filter and let the remaining oil drain. A special wrench (available from your Acura dealer) is required to remove the filter.

4. Install a new oil filter according to instructions that come with it.

CONTINUED

Engine Oil

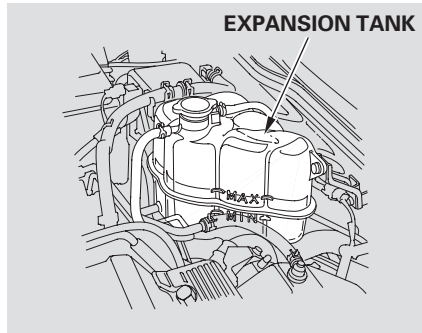
5. Put a new washer on the drain bolt, then reinstall the drain bolt.
Tighten it to:
33 lbf-ft (45 N·m , 4.6 kgf-m)
6. Refill the engine with the recommended oil.

Engine oil change capacity
(including filter):
5.3 US qt (5.0 ℓ)
7. Replace the engine oil fill cap.
Start the engine. The oil pressure indicator light should go out within 5 seconds. If it does not, turn off the engine and reinspect your work.
8. Let the engine run for several minutes, then check the drain bolt and oil filter for leaks.
9. Turn off the engine, let it sit for several minutes, then check the oil level. If necessary, add oil to bring the level to the upper mark on the dipstick.

NOTICE

Improper disposal of engine oil can be harmful to the environment. If you change your own oil, please dispose of the used oil properly. Put it in a sealed container and take it to a recycling center. Do not discard it in a trash bin or dump it on the ground.

Adding Engine Coolant



If the expansion tank is completely empty, add coolant to bring it up to the MAX line. Inspect the cooling system for leaks. This coolant should always be a mixture of 50 percent antifreeze and 50 percent water. Never add straight antifreeze or plain water.

Always use Honda All Season Antifreeze/Coolant Type 2. This coolant is pre-mixed with 50 percent antifreeze and 50 percent water. It does not require any additional mixing. If it is not available, you may use another major-brand non-silicate coolant as a temporary replacement. Make sure it is a high-quality coolant recommended for aluminum engines. However, continued use of any non-Honda coolant can result in corrosion, causing the cooling system to malfunction or fail. Have the cooling system flushed and refilled with Honda antifreeze/coolant as soon as possible.

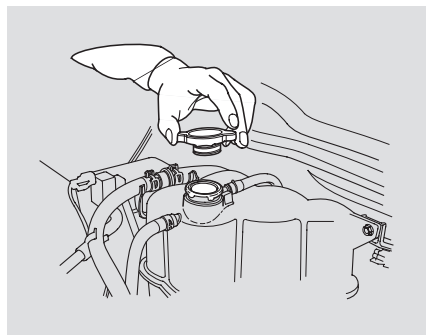
⚠ WARNING

Removing the expansion tank cap while the engine is hot can cause the coolant to spray out, seriously scalding you.

Always let the engine and radiator cool down before removing the expansion tank cap.

CONTINUED

Cooling System



1. Make sure the engine and radiator are cool.
2. Turn the expansion tank cap counterclockwise, without pressing down on it, until it stops. This relieves any pressure remaining in the cooling system.
3. Remove the expansion tank cap by pushing down and turning counterclockwise.
4. Pour coolant into the expansion tank. Fill it to the MAX line. Put the cap back on the expansion tank.

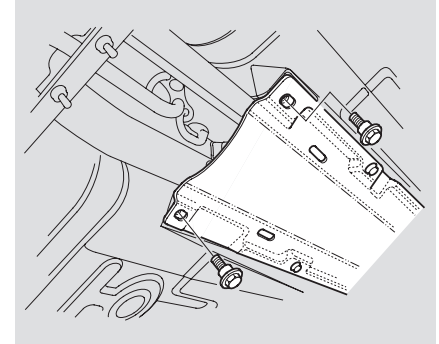
Pour the coolant slowly and carefully so you do not spill. Clean up any spills immediately. Spilled coolant could damage components in the engine compartment.

Do not add any rust inhibitors or other additives to your car's cooling system. They may not be compatible with the coolant or engine components.

Replacing Engine Coolant

The cooling system should be completely drained and refilled with new coolant according to the time and distance recommendations in the maintenance schedule. Only use Honda All Season Antifreeze/Coolant Type 2. Use of any non-Honda coolant or plain water can result in corrosion and deposits in the cooling system.

Draining the coolant requires access to the underside of the car. Unless you have the tools and knowledge, you should have this maintenance done by a skilled mechanic.

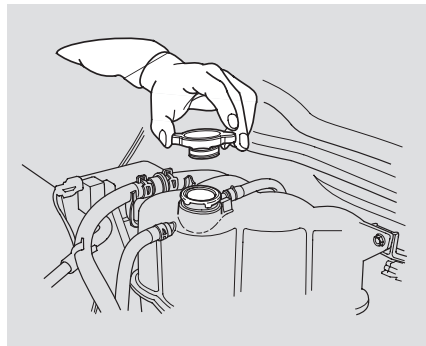


To replace the coolant:

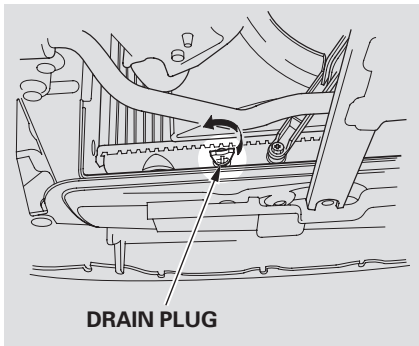
1. Open the hood, the rear window, and engine cover.
2. Remove the cover protecting the coolant pipes and shift linkage on the underside of the car.

CONTINUED

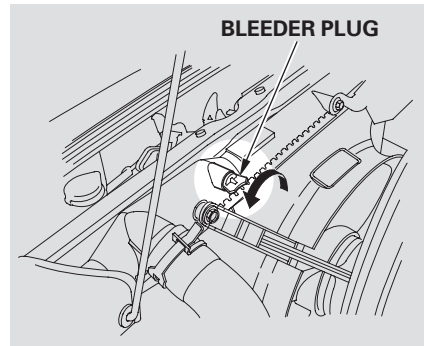
Cooling System



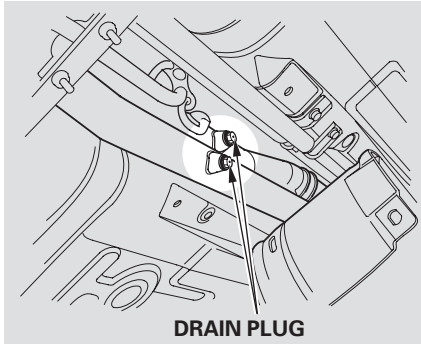
3. Start the engine. Turn the heater temperature control dial to maximum heat and turn off the engine. Make sure the engine and radiator are cool to the touch.



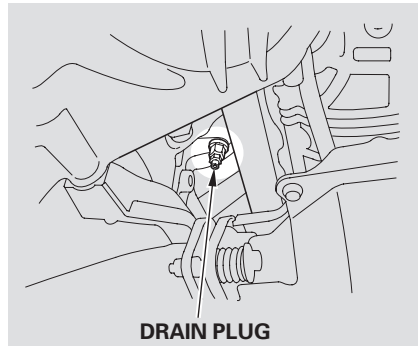
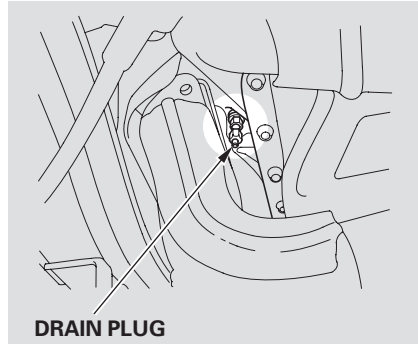
4. Remove the drain plug from the bottom of the radiator.



5. Loosen the bleeder plug on top of the radiator.



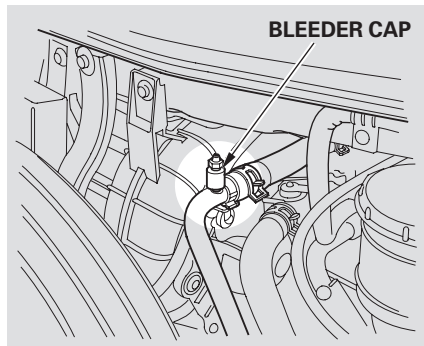
6. Remove the drain plugs from the coolant pipes under the car.



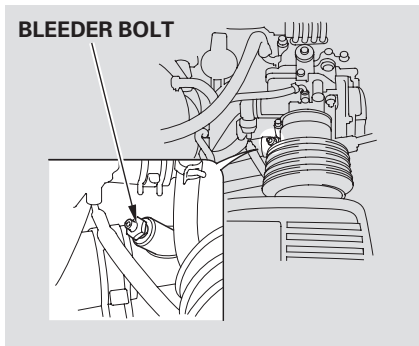
7. Loosen the drain plugs on the engine.
8. When the coolant stops draining, tighten the engine drain plugs, reinstall the plugs in the coolant pipes, and reinstall the radiator drain plug.

CONTINUED

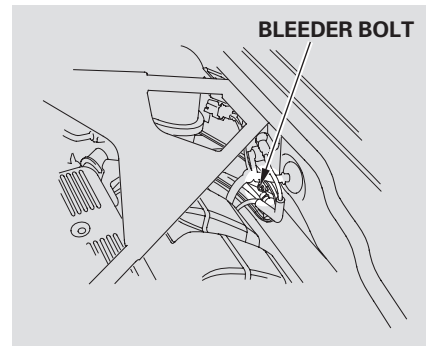
Cooling System



9. Remove the bleeder cap from the top of the heater inlet.



10. Loosen the bleeder bolt on top of the engine.

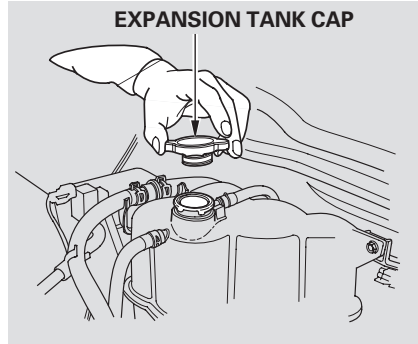


11. Loosen the bleeder bolt near the expansion tank.

12. Pour Honda All Season Antifreeze/Coolant Type 2 into the expansion tank. This coolant is a mixture of 50 percent antifreeze and 50 percent water. Premixing is not required.

The cooling system capacity is:
3.17 US gal (12.0 l)

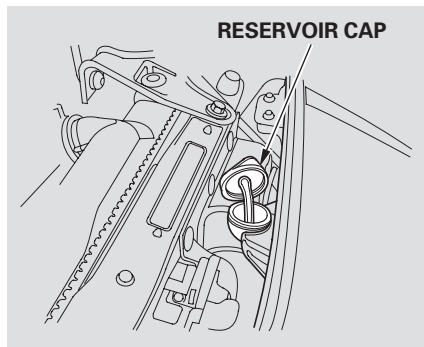
Coolant will go through the tank into the system. When the tank is full, go to each of the four bleeders. Close each bleeder when coolant comes out of it in a steady stream with no bubbles. You may need to refill the expansion tank.



13. Fill the expansion tank to about 1 in. (2.5 cm) above the MAX line. Put the cap back on the tank, only tighten it to the first stop. Start the engine and let it run until it warms up (the radiator cooling fan comes on at least twice).

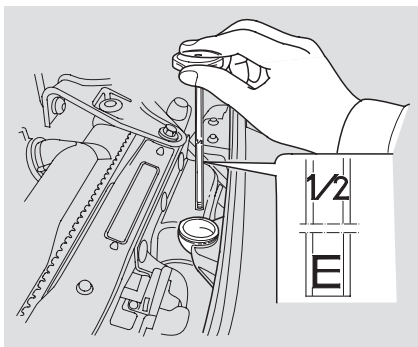
14. Turn off the engine. Check the expansion tank and, if needed, add coolant to bring it up to the MAX line. Tighten the expansion tank cap. Reinstall the cover on the car's underside.

Windshield Washers



Check the level in the windshield washer reservoir at least monthly during normal usage. In bad weather, when you use the washers often, check the level every time you stop for fuel.

The windshield washer reservoir is located in the front compartment in front of the radiator.



Check the windshield washer fluid level as follows:

1. Unfasten the reservoir cap.
2. Cover the small hole in the center of the cap with your finger and pull up until the tube is fully exposed.

3. Read the fluid level on the tube. If the fluid level is near the "E" mark, fill the reservoir with windshield washer fluid up to the brim.

Fill the reservoir with a good-quality windshield washer fluid. This increases the cleaning capability and prevents freezing in cold weather.

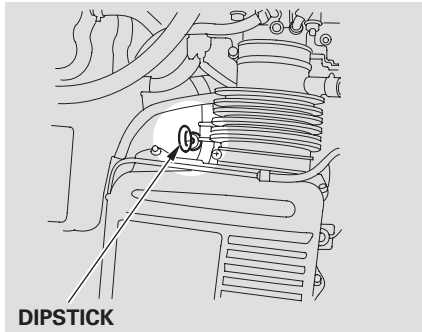
NOTICE

Do not use engine antifreeze or a vinegar/water solution in the windshield washer reservoir.

Antifreeze can damage your car's paint, while a vinegar/water solution can damage the windshield washer pump.

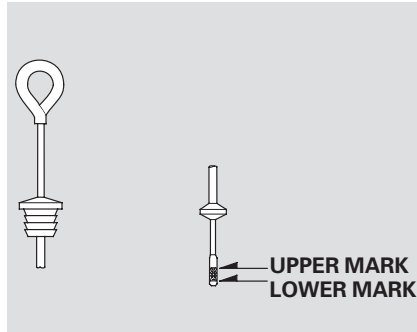
Use only commercially-available windshield washer fluid.

Automatic Transmission



Check the fluid level with the engine at normal operating temperature.

1. Park the car on level ground. Shut off the engine.
2. Remove the dipstick (yellow loop) from the transmission and wipe it with a clean cloth.



3. Insert the dipstick into the transmission. Make sure the notch in the rubber cap fits in the dipstick guide and that you push the dipstick in all the way.
4. Remove the dipstick and check the fluid level. It should be between the upper and lower marks.

5. If the level is below the lower mark, add fluid into the filler hole to bring it to the upper mark. Always use Honda ATF-Z1 (Automatic Transmission Fluid). If it is not available, you may use a DEXRON® III automatic transmission fluid as a temporary replacement. However, continued use can affect shift quality. Have the transmission flushed and refilled with Honda ATF-Z1 as soon as it is convenient.

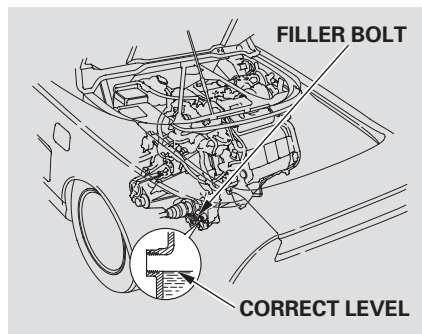
To thoroughly flush the transmission, the technician should drain and refill it with Honda ATF-Z1 (Automatic Transmission Fluid), then drive the vehicle a short distance. Do this three times. Then drain and refill the transmission a final time.

Transmission Fluid

6. Insert the dipstick all the way back in the transmission.

The transmission should be drained and refilled with new fluid according to the time and distance recommendations in the maintenance schedule.

6-speed Manual Transmission



Check the fluid level with the transmission at normal operating temperature and the car sitting on level ground. Remove the transmission filler bolt and carefully feel inside the bolt hole with your finger. The fluid level should be up to the edge of the bolt hole. If it is not, add Honda Manual Transmission Fluid (MTF) until it starts to run out of the hole. Reinstall the filler bolt and tighten it securely.

If Honda MTF is not available, you may use an SAE 10W-30 or 10W-40 viscosity motor oil with the API Certification seal that says “For Gasoline Engines” as a temporary replacement. However, motor oil does not contain the proper additives and continued use can cause stiffer shifting. Replace as soon as it is convenient.

The transmission should be drained and refilled with new fluid according to the time and distance recommendations in the maintenance schedule.

Check the fluid level in the reservoirs monthly. There are two reservoirs. They are:

- Brake fluid reservoir (all models)
- Clutch fluid reservoir (manual transmission only)

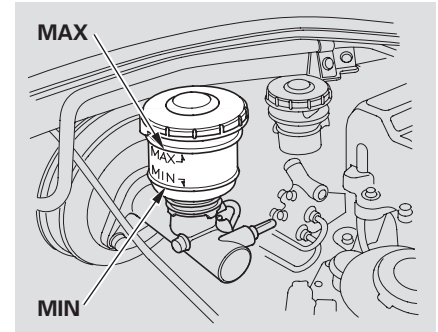
The brake fluid should be replaced according to the time recommendation in the maintenance schedule.

Brake Fluid

Always use Honda Heavy Duty Brake Fluid DOT 3. If it is not available, you should use only DOT 3 or DOT 4 fluid, from a sealed container, as a temporary replacement. However, the use of any non-Honda brake fluid can cause corrosion and decrease the life of the system. Have the brake system flushed and refilled with Honda Heavy Duty Brake Fluid DOT 3 as soon as possible.

Brake fluid marked DOT 5 is not compatible with your car's braking system and can cause extensive damage.

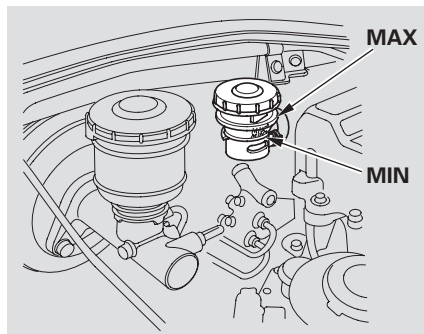
Brake System



The fluid level should be between the MIN and MAX marks on the side of the reservoir. If the level is at or below the MIN mark, your brake system needs attention. Have the brake system inspected for leaks or worn brake pads.

Brake and Clutch Fluid

Clutch System



The fluid level should be between the MIN and MAX marks on the side of the reservoir. If it is not, add brake fluid to bring it up to that level. Use the same fluid specified for the brake system.

Low fluid level can indicate a leak in the clutch system. Have this system inspected as soon as possible.

The air cleaner element should be cleaned or replaced according to the time and distance recommendations in the maintenance schedule.

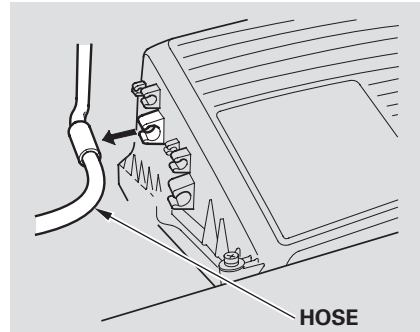
Cleaning (Severe Conditions)

Clean the air cleaner element by blowing compressed air through it in the opposite direction to normal air flow. If you do not have access to compressed air (such as a service station), ask your Acura dealer to do this service.

Follow the replacement procedure for removal and reinstallation.

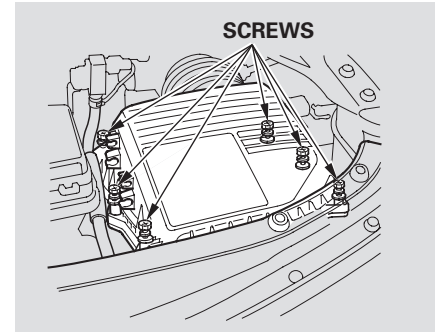
The air cleaner element is inside the air cleaner housing on the driver's side of the engine compartment.

Replacement



To replace it:

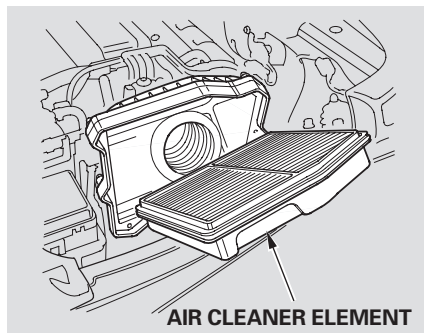
1. Loosen the hose clamp around the engine air intake tube. Slide the tube off the air cleaner housing cover.
2. Carefully unsnap a hose from the clips on the air cleaner housing cover.



3. Loosen the six Phillips-head screws around the edge of the air cleaner housing cover. Remove the air cleaner housing cover and set it aside.

CONTINUED

Air Cleaner Element, Fuel Filter



4. Remove the old air cleaner element.
Carefully clean the inside of the air cleaner housing with a damp rag.

5. Install the new air cleaner element, making sure the rubber seal fits on all four sides.
6. Reinstall the air cleaner housing cover. Tighten the six screws.
7. Slide the air intake tube onto the air cleaner housing cover. Tighten the hose clamp.
8. Snap a hose back into the clips on the air cleaner housing cover.

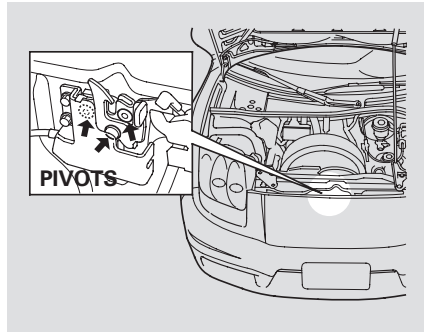
Fuel Filter

The fuel filter should be replaced every 4 years or 60,000 miles (96,000 km), whichever comes first.

Have a qualified mechanic change the fuel filter. Since the fuel system is under pressure, fuel can spray out and create a hazard if all fuel line connections are not handled correctly.

The filter may require replacement sooner if you happen to buy one or more tankfuls of contaminated fuel. Have the filter tested or replaced if you suspect it has been clogged by contaminants.

Hood Latch

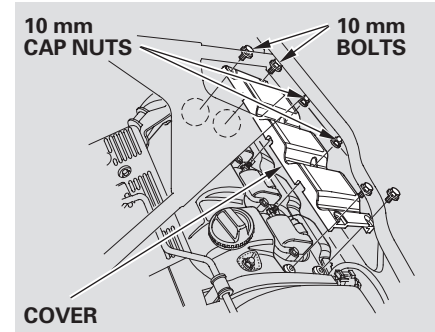


Clean the hood latch assembly with a mild cleaner, then lubricate it with a multipurpose grease. Lubricate all the moving parts, including the pivot. Follow the time and distance recommendations in the Maintenance Schedule. If you are not sure how to clean and grease the latch, contact your Acura dealer.

Spark Plugs

The spark plugs in your car are a special platinum-tipped design for longer life. They only need to be replaced every 7 years or 105,000 miles (168,000 km), whichever comes first.

Replacement



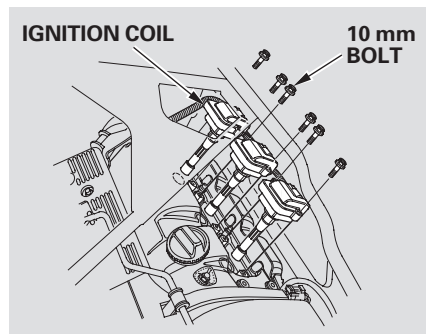
Replace the spark plugs one side at a time. Make sure the front cylinder ignition coils and the back side of the cover are marked "FR" and the rear cylinder ignition coils and the back side of the cover are marked "RR".

To replace them:

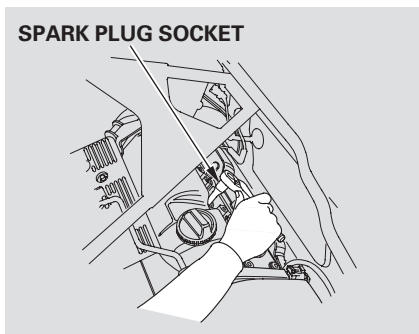
1. Remove the cover over the spark plugs by removing the four 10 mm bolts and the two 10 mm cap nuts.

CONTINUED

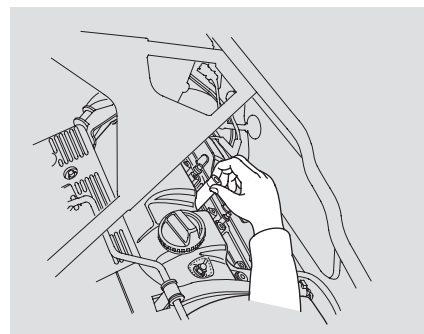
Spark Plugs



2. Disconnect the three ignition coils from the wire harness by squeezing the harness end of each connector and pulling.
3. Remove the two 10 mm bolts holding the ignition coil. Remove the ignition coil by pulling it straight out as you twist it slightly.

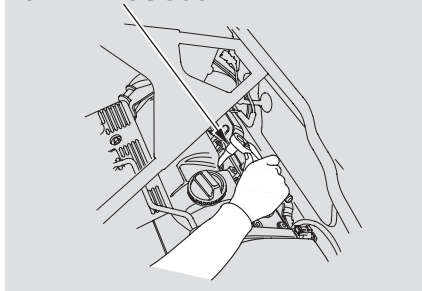


4. Remove the spark plug with a five-eighths inch (16 mm) spark plug socket.



5. Put the new spark plug into the socket, then screw it into the hole. Screw it in by hand so you do not crossthead it.

SPARK PLUG SOCKET



6. Torque the spark plug. (If you do not have a torque wrench, tighten the spark plug two-thirds of a turn after it contacts the cylinder head.)

Tightening torque:
13 lbf-ft (18 N·m , 1.8 kgf·m)

NOTICE

Tighten the spark plugs carefully. A spark plug that is too loose can overheat and damage the engine. Overtightening can cause damage to the threads in the cylinder head.

7. Install the ignition coil. Install and tighten the two hold-down bolts to:

Tightening torque:
9 lbf-ft (12 N·m , 1.2 kgf·m)

8. Reconnect the ignition coil to the wire harness.

9. After changing the three spark plugs on each side, reinstall the spark plug covers, bolts and nuts. Tighten the bolts and nuts.

Tightening torque:
9 lbf-ft (12 N·m , 1.2 kgf·m)

Specifications:

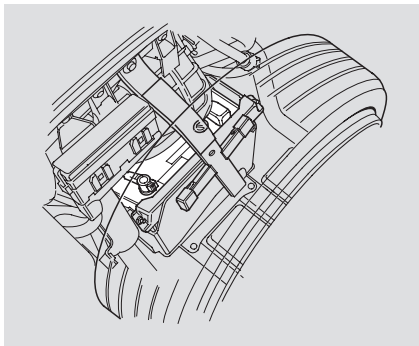
NGK: PFR6L-11
DENSO: PK20PR-L11

Spark Plug Gap:

0.04 in (1.1 mm) $^{+0}_{-0.1\text{mm}}$

Battery

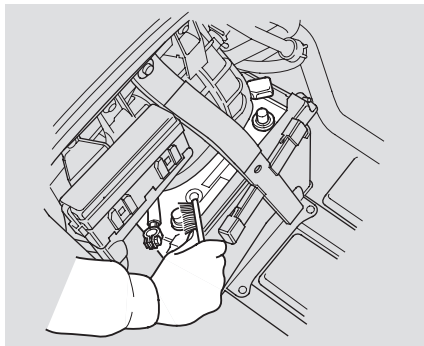
Check the condition of your car's battery monthly. You should check the color of the test indicator window, and for corrosion on the terminals.



Check the battery condition by looking at the test indicator window on the battery. The label on the battery explains the test indicator's colors.

Check the battery terminals for corrosion (a white or yellowish powder). To remove it, cover the terminals with a solution of baking soda and water. It will bubble up and turn brown. When this stops, wash it off with plain water. Dry off the battery with a cloth or paper towel. Coat the terminals with grease to help prevent future corrosion.

WARNING: Battery posts, terminals, and related accessories contain lead and lead compounds. **Wash hands after handling.**



If the terminals are severely corroded, clean them with baking soda and water. Then use a wrench to loosen and remove the cables from the terminals. Always disconnect the negative (–) cable first and reconnect it last. Clean the battery terminals with a terminal cleaning tool or wire brush. Reconnect and tighten the cables, then coat the terminals with grease.

If you need to connect the battery to a charger, disconnect both cables to prevent damage to the car's electrical system.

⚠ WARNING

The battery gives off explosive hydrogen gas during normal operation.

A spark or flame can cause the battery to explode with enough force to kill or seriously hurt you.

Wear protective clothing and a face shield, or have a skilled mechanic do the battery maintenance.

CONTINUED

Battery

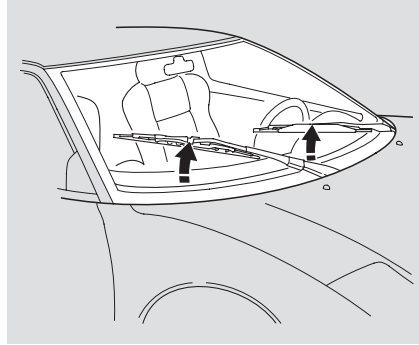
If you need to charge the battery after storing the car, make sure you do it outside the car. Do not connect a battery charger to the jump start terminal in the engine compartment fuse box.

Disconnect the terminals to prevent damage to the car's electrical system, and remove the battery from the front compartment so hydrogen gas does not build up during charging. You need to remove the spare tire holder before removing the battery.

NOTICE

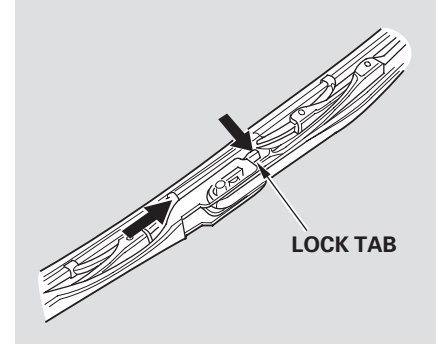
Charging the battery with the cables connected can seriously damage your car's electronic controls. Detach the battery cables before connecting the battery to a charger.

Check the condition of the wiper blades at least every six months. Look for signs of cracking in the rubber, or areas that are getting hard. Replace the blades if you find these signs, or if they leave streaks and unwiped areas when used.



To replace the blade:

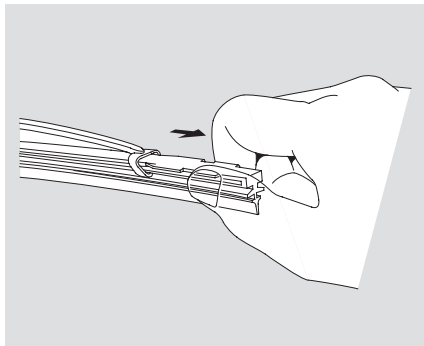
1. Turn the ignition ON (II), switch the wipers to INT or — (low position), then turn the ignition OFF when the wiper arm is approximately midway in its travel.



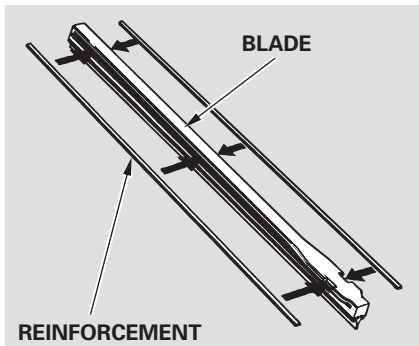
2. Disconnect the blade assembly from the wiper arm by pushing in the lock tab. Hold the lock tab in while you push the blade assembly toward the base of the arm.

CONTINUED

Wiper Blades



3. Remove the blade from its holder by grasping the tabbed end of the blade. Pull firmly until the tabs come out of the holder.



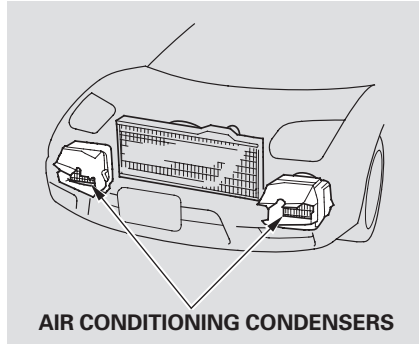
4. Examine the new wiper blades. If they have no plastic or metal reinforcement along the back edge, remove the metal reinforcement strips from the old wiper blade and install them in the slots along the edge of the new blade.

5. Slide the new wiper blade into the holder until the tabs lock.
6. Slide the wiper blade assembly onto the wiper arm. Make sure it locks in place.
7. Turn the ignition switch ON (II) and return the windshield wipers to their park position.

Your car's air conditioning is a sealed system. Any major maintenance, such as recharging, should be done by a qualified mechanic. You can do a couple of things to make sure the air conditioning works efficiently. Periodically check the engine's radiator and air conditioning condenser for leaves, insects, and dirt stuck to the front surface. These block the air flow and reduce cooling efficiency. Use a light spray from a hose or a soft brush to remove them.

NOTICE

The condenser and radiator fins bend easily. Only use a low-pressure spray or soft-bristle brush to clean them.



Run the air conditioning at least once a week during the cold weather months. Run it for at least ten minutes while you are driving at a steady speed with the engine at normal operating temperature. This circulates the lubricating oil contained in the refrigerant.

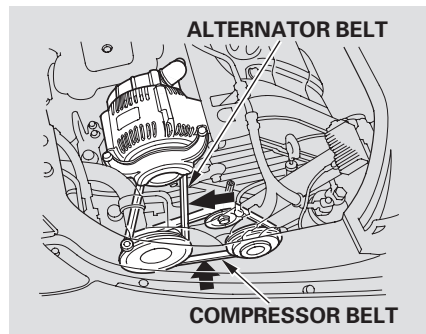
If the air conditioning does not get as cold as before, have your dealer check the system. Recharge the system with Refrigerant HFC-134a (R-134a). (See Specifications on page 273.)

NOTICE

Whenever you have the air conditioning system serviced, make sure the service facility uses a refrigerant recycling system. This system captures the refrigerant for reuse. Releasing refrigerant into the atmosphere can damage the environment.

Drive Belts, Timing Belt

Drive Belts



You should check the condition of the two engine belts every 2 years. Examine the edges of each belt for cracks or fraying. Check the tension of each belt by pushing on it at the point shown in the diagram.

The belts should have the following “play” or deflection.

Alternator belt:
0.4–0.53 in (11–13.5 mm)
Compressor belt:
0.4–0.5 in (10–12 mm)

If you see signs of wear or looseness, have your dealer adjust or replace the belts.

Timing Belt

The timing belt should normally be replaced at the intervals shown in the maintenance schedule.

Replace this belt at 60,000 miles (U.S.) or 100,000 km (Canada) if you regularly drive your car in one or more of these conditions:

- In very high temperatures (over 110°F, 43°C).
- In very low temperatures (under –20°F, –29°C).

To safely operate your car, your tires must be the proper type and size, in good condition with adequate tread, and correctly inflated. The following pages give more detailed information on how and when to check air pressure, how to inspect your tires for damage and wear, and what to do when your tires need to be replaced.

⚠ WARNING

Using tires that are excessively worn or improperly inflated can cause a crash in which you can be seriously hurt or killed.

Follow all instructions in this owner's manual regarding tire inflation and maintenance.

Inflation

Keeping the tires properly inflated provides the best combination of handling, tread life, and riding comfort. Underinflated tires wear unevenly, adversely affect handling and fuel economy, and are more likely to fail from being overheated. Overinflated tires can make your car ride more harshly, are more prone to damage from road hazards, and wear unevenly.

We recommend that you visually check your tires every day and use the pressure gauge that came with your car to measure the air pressure at least once a month. If you think a tire might be low, check it immediately.

CONTINUED

Tires

Use a gauge to measure the air pressure at least once a month. Even tires that are in good condition may lose one to two psi (10 to 20 kPa, 0.1 to 0.2 kgf/cm²) per month. Remember to check the spare tire at the same time you check all the other tires.

Check the pressure in the tires when they are cold. This means the car has been parked for at least three hours. If you have to drive the car before checking the tire pressure, the tires can still be considered “cold” if you drive less than 1 mile (1.6 km).

Add or release air, if needed, to match the recommended cold tire pressures on this page.

If you check the pressure when the tires are hot [the car has been driven several miles (kilometers)], you will see readings 4 to 6 psi (30 to 40 kPa, 0.3 to 0.4 kgf/cm²) higher than the cold reading. This is normal. Do not let air out to match the specified cold pressure. The tire will be underinflated.

Use the pressure gauge that came with your car every time you check the tires. This will make it easier for you to tell if a pressure loss is due to a tire problem and not due to a variation between gauges.

Recommended Tire Pressures for Normal Driving

The following chart shows the recommended cold tire pressures for most normal driving conditions and speeds. Tire pressures for high speed driving are the same as for normal driving.

Front:

Tire Size	Cold Tire Pressure for Normal Driving
215/40R17 83Y	33 psi (230 kPa , 2.3 kgf/cm ²)

Rear:

Tire Size	Cold Tire Pressure for Normal Driving
255/40R17 94Y	40 psi (275 kPa , 2.8 kgf/cm ²)

The folding spare tire pressure is:

Front:

26 psi (180 kPa , 1.8 kgf/cm²)

Rear:

32 psi (220 kPa , 2.2 kgf/cm²)

For convenience, the recommended tire sizes and cold air pressures are on a label on the driver’s doorjamb.

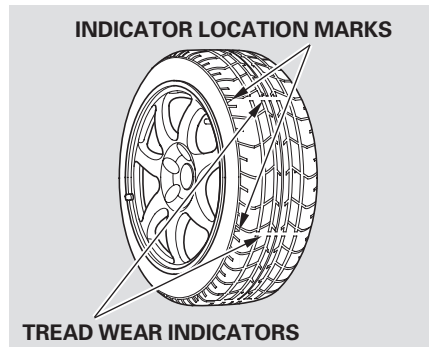
For additional technical information about your tires, see page [274](#).

Tubeless tires have some ability to self-seal if they are punctured. However, because leakage is often very slow, you should look closely for punctures if a tire starts losing pressure.

Inspection

Every time you check inflation, you should also examine the tires for damage, foreign objects, and wear. You should look for:

- Bumps or bulges in the tread or side of the tire. Replace the tire if you find either of these conditions.
- Cuts, splits, or cracks in the side of the tire. Replace the tire if you can see fabric or cord.
- Excessive tread wear.



Your car's tires have wear indicators molded into the tread. When the tread wears down to that point, you will see a 1/2 inch (12.7 mm) wide band running across the tread. This shows there is less than 1/16 inch (1.6 mm) of tread left on the tire. A tire that is this worn gives very little traction on wet roads. You should replace the tire if you can see the tread wear indicator in three or more places around the tire.

Tires

Maintenance

In addition to proper inflation, correct wheel alignment helps to decrease tire wear. If you find a tire is worn unevenly, have your dealer check the wheel alignment.

The tires were properly balanced by the factory. They may need to be rebalanced at some time before they are worn out. Have your dealer check the tires if you feel a consistent vibration while driving. A tire should always be rebalanced if it is removed from the wheel for repair.

Make sure the installer balances the wheels when you have new tires installed. This increases riding comfort and tire life. Your car's original tires were dynamic or "spin" balanced at the factory. For best results, have the installer perform a dynamic balance.

NOTICE

Improper wheel weights can damage your car's aluminum wheels. Use only genuine Acura wheel weights for balancing.

Tire Rotation

You should not rotate your NSX's tires. The front and rear tires are different sizes, so they cannot be rotated front-to-rear. The original-equipment tires on your NSX have a unidirectional tread pattern, so they cannot be rotated side-to-side.

Tire Wear

The tires that came on your NSX were designed and constructed to provide superior grip during acceleration, braking, and cornering. As a trade-off, they will wear more rapidly than tires used on ordinary passenger cars. Because of the car's weight distribution, and the fact that they are the driving wheels, you can expect the rear tires to wear more rapidly than the front tires.

The tire mileage you can expect from your NSX is the same as comparable mid- and rear-engined sports cars, and it will vary greatly with your driving habits. If you drive moderately, the rear tires could last more than 10,000 miles (16,000 km). However, the mileage will be substantially less if you tend to drive your NSX at the upper limits of its capabilities. You should carefully inspect your car's tires for wear, damage, and proper inflation every 7,500 miles (12,000 km) (see page 211).

Replacing Tires and Wheels

The tires that came with your car were selected to match the performance capabilities of the car while providing the best combination of handling, ride comfort, and long life. You should replace them with radial tires of the same size, load range, speed rating, and maximum cold tire pressure rating (as shown on the tire's sidewall). Mixing radial and bias-ply tires on your car can reduce its braking ability, traction, and steering accuracy.

⚠ WARNING

Installing improper tires on your car can affect handling and stability. This can cause a crash in which you can be seriously hurt or killed.

Always use the size and type of tires recommended in this owner's manual.

It is best to replace all four tires at the same time. If that is not possible or necessary, then replace the two front tires or the two rear tires as a pair. Replacing just one tire can seriously affect your car's handling.

CONTINUED

Tires

The ABS works by comparing the speed of the wheels. When replacing tires, use the same size originally supplied with the car. Tire size and construction can affect wheel speed and may cause the system to work inconsistently.

If you ever need to replace a wheel, make sure the wheel's specifications match those of the original wheel that came on your car. Replacement wheels are available at your Acura dealer.

Wheels and Tires

Wheels:

Front:

17 x 7 JJ

Rear:

17 x 9 JJ

Tires:

Front:

215/40R17 83Y

Rear:

255/40R17 94Y

See page [274](#) for information about DOT Tire Quality Grading.

Winter Driving

Tires that are marked “M+S” or “All Season” on the sidewall have an all-weather tread design. They should be suitable for most winter driving conditions. Tires without these markings are designed for optimum traction in dry conditions. They may not provide adequate performance in winter driving. For the best performance in snowy or icy conditions, you should install snow tires or tire chains. They may be required by local laws under certain conditions.

Snow Tires

If you mount snow tires on your Acura, make sure they are radial tires of the same size and load range as the original tires. Mount snow tires on all four wheels to balance your car's handling in all weather conditions. Keep in mind the traction provided by snow tires on dry roads may not be as high as your car's original equipment tires. You should drive cautiously even when the roads are clear. Check with the tire dealer for maximum speed recommendations.

Tire Chains

Because your Acura has limited tire clearance, mount only SAE Class "S" cable-type traction devices on the rear tires. Use traction devices only when required by driving conditions or local laws. Make sure they are the correct size for your tires.

Metal link-type "chains" should not be used. No matter how tight they seem to be installed, they can come into contact with the body and suspension, causing serious damage.

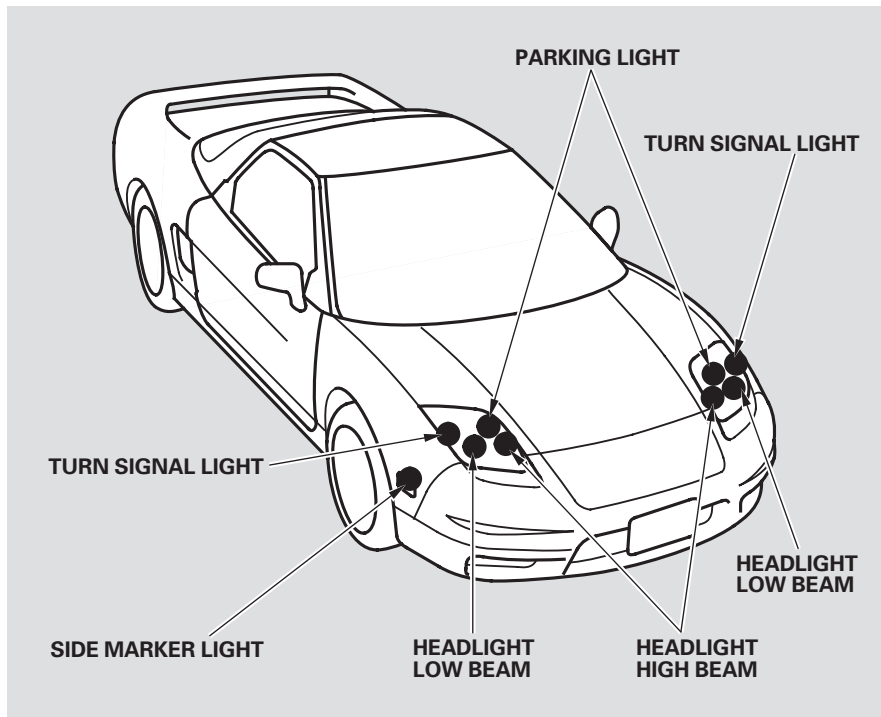
When installing cables, follow the manufacturer's instructions and mount them as tightly as you can. Drive slowly with them installed. If you hear them coming in contact with the body or chassis, stop and investigate. Make sure the cables are installed tightly, and that they are not contacting the brake lines or suspension. Remove them as soon as you begin driving on cleared roads.

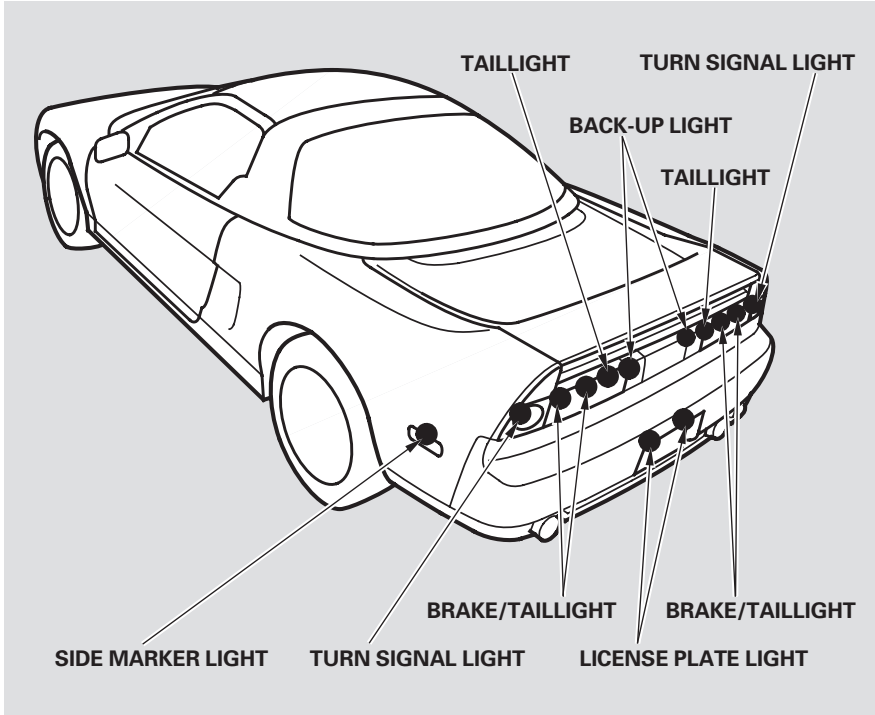
NOTICE

Cables that are the wrong size or improperly installed can damage your car's brake lines, suspension, body, and wheels. Stop driving if they are hitting any part of the car.

Lights

Check the operation of your car's exterior lights at least once a month. A burned out bulb can create an unsafe condition by reducing your car's visibility and the ability to signal your intentions to other drivers.





Check the following:

- Headlights (low and high beam)
- Parking lights
- Taillights
- Brake lights
- Turn signals
- Back-up lights
- Hazard light function
- License plate light
- Side marker lights
- Daytime running lights (Canadian cars)

If you find any bulbs are burned out, replace them as soon as possible. Refer to the chart on page 273 to determine what type of replacement bulb is needed.

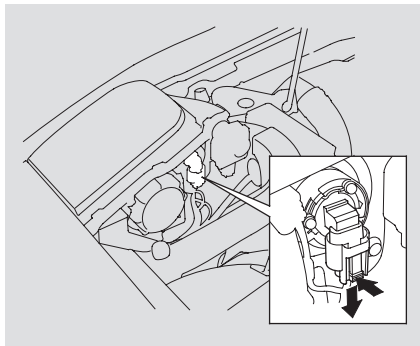
Lights

Replacing a Headlight Bulb

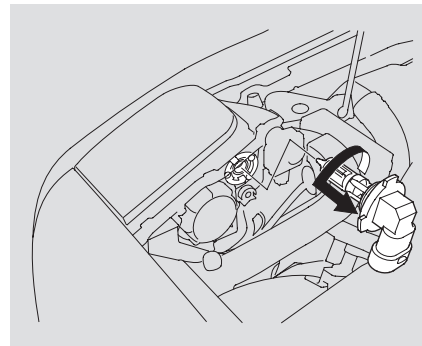
The low beam headlight bulbs are a type of high voltage discharge tube. High voltage can remain in the circuit even with the light switch off and the key removed. Because of this, you should not attempt to examine or change a low beam headlight bulb yourself. If a low beam headlight bulb fails, take the car to your dealer to have it replaced. Halogen bulbs are used for the high beam headlight bulbs. When replacing a high beam headlight bulb, handle it by its base and protect the glass from contact with your skin or hard objects. If you touch the glass, clean it with denatured alcohol and a clean cloth.

NOTICE

Halogen headlight bulbs get very hot when lit. Oil, perspiration, or a scratch on the glass can cause the bulb to overheat and shatter.



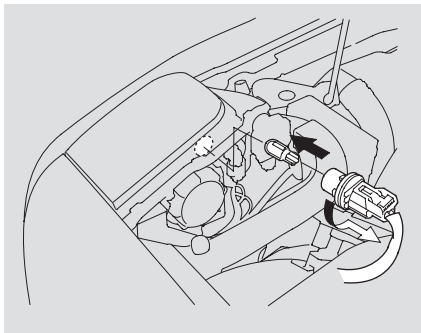
1. Open the hood.
2. Remove the electrical connector from the bulb by squeezing the connector to unlock the tab, then slide the connector off the bulb.



3. Remove the bulb by turning it approximately one-quarter turn counterclockwise.
4. Insert the new bulb into the hole and turn it one-quarter turn clockwise to lock it in place.

5. Push the electrical connector back onto the bulb. Make sure it is on all the way.
6. Turn on the headlights to test the new bulb.

Replacing the Front Parking Lights

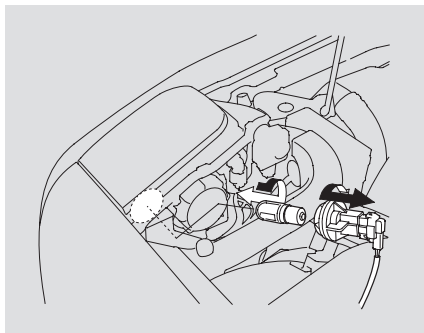


1. Remove the socket from the headlight assembly by turning it one-quarter turn counterclockwise.
2. Pull the bulb straight out of its socket.
3. Install the new bulb into the socket.

4. Insert the socket back into the headlight assembly. Turn it clockwise to lock it in place.
5. Test the lights to make sure the new bulb is working.

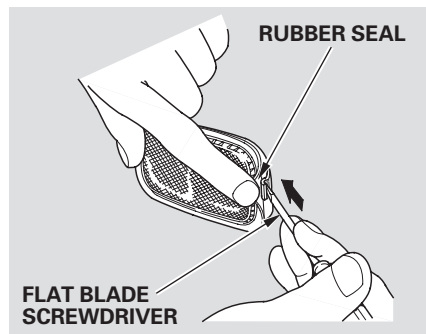
Lights

Replacing a Front Turn Signal Bulb

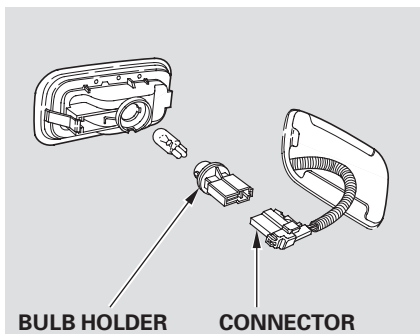


1. Remove the socket from the headlight assembly by turning it one-quarter turn counterclockwise.
2. Remove the bulb by pushing it in slightly and turning it counterclockwise.
3. Install the new bulb into the socket.
4. Insert the socket back into the headlight assembly. Turn it clockwise to lock it in place.
5. Test the lights to make sure the new bulb is working.

Replacing Side Marker Bulbs



1. Use your fingernail to lift the rubber seal along the back edge of the side marker lens.
2. Use a small flat blade screwdriver under the rubber seal to pry carefully on the back edge of the side marker assembly until it pops out of the body.

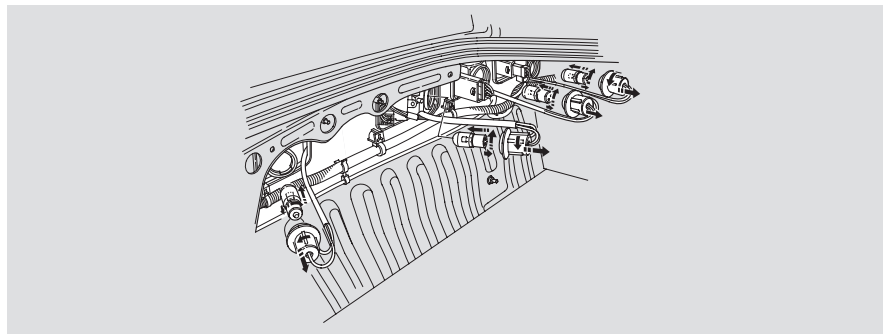


3. Remove the electrical connector from the bulb holder by squeezing the connector and pulling them apart.
4. Turn the socket one-quarter turn counterclockwise to remove it from the lens.

5. Pull the bulb straight out of its socket. Push a new bulb straight into the socket until it bottoms.
6. Put the socket back into its hole in the lens and turn it clockwise until it locks.
7. Plug the wire harness back into the bulb holder.
8. Turn on the parking lights and check that the new bulb is working.
9. Put the side marker assembly back into the body, front first. Push on the back edge until it snaps into place.

Lights

Replacing Rear Bulbs



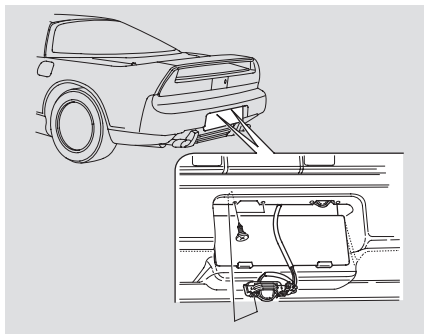
The bulbs for the taillights, tail/stoplights, rear turn signals, and back-up lights are behind the trunk liner.

1. Pull the top edge of the trunk liner out from under the rubber seal. Remove the plastic clips holding the trunk liner by putting your thumbs under the head of the clip between the liner and body and pushing the clip outward as you wiggle it back and forth.

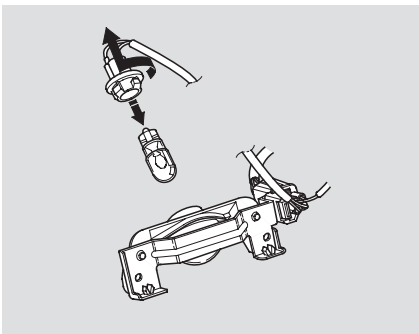
2. Determine which bulb in the taillight assembly is burned out.
3. Remove the socket from the taillight assembly by turning it one-quarter turn counterclockwise and pulling it outward.

4. If the turn signal light bulb, back-up bulb, or tail/stoplight bulb is burned out, remove it by pushing it in and turning counterclockwise. If the taillight bulb is burned out, remove it by pulling it straight out of its socket.
5. Install the new bulb in the socket in the reverse order of removal.
6. To reinstall the socket, line up the tabs on the socket with the slots in the taillight, push the socket into the hole, and turn it clockwise until it locks.
7. Test the lights to make sure the new bulb is working.
8. Install the trunk liner clips by pushing them straight in. Insert the top edge of the liner back under the rubber seal.

Replacing a Rear License Plate Bulb



1. Use a Phillips-head screwdriver to remove the two screws holding the license plate light assembly to the bracket. Pull the assembly away from the bracket.



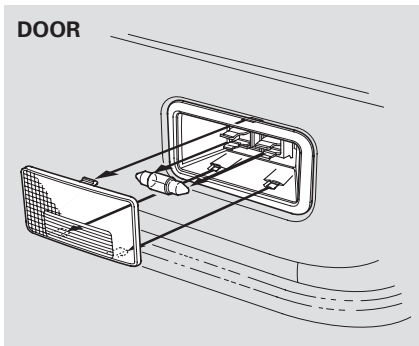
2. Remove the socket from the light assembly by turning it one-quarter turn counterclockwise.
3. Pull the bulb straight out of the socket.

4. Install the new bulb in the socket.
5. Turn on the parking lights and make sure the new bulb is working. Reinstall the license plate assembly on the bumper bracket with the same two screws.

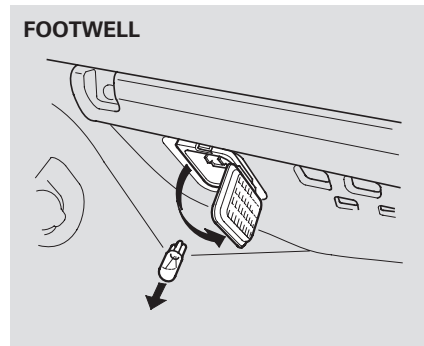
Lights

Replacing Bulbs in the Interior Courtesy Lights

The courtesy lights in the doors, roof and under the dashboard come apart the same way. They do not all use the same bulb.

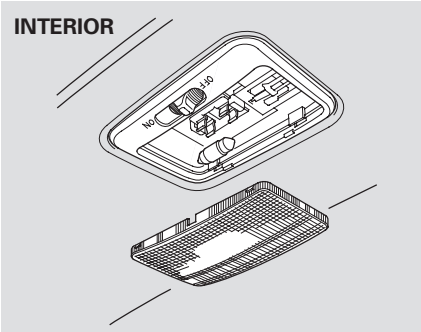


1. Remove the lens by carefully prying on the edge with your fingernail or a small flat-tip screwdriver. The two lenses on the roof-mounted interior light come out as a unit.

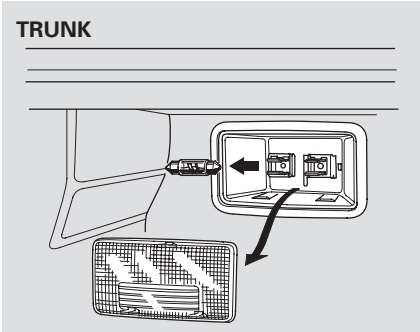


2. Remove the bulb by pulling it straight out of its metal tabs.
3. Push the new bulb into the metal tabs. Snap the cover back in place.

INTERIOR



TRUNK



Storing Your Car

If you need to park your car for an extended period (more than one month), there are several things you should do to prepare it for storage. Proper preparation helps prevent deterioration and makes it easier to get your car back on the road. If possible, store your car indoors.

- Fill the fuel tank.
- Change the engine oil and filter (see page [183](#)).
- Wash and dry the exterior completely.
- Clean the interior. Make sure the carpeting, floor mats, etc. are completely dry.
- Leave the parking brake off. Put the transmission in Reverse (6-speed manual) or Park (automatic).

- Block the rear wheels.
- If the car is to be stored for a longer period, it should be supported on jackstands so the tires are off the ground.
- Leave one window open slightly (if the car is being stored indoors).
- Disconnect the battery.
- Support the front wiper blade arms with a folded towel or rag so they do not touch the windshield.
- To minimize sticking, apply a silicone spray lubricant to all door and trunk seals. Also, apply a vehicle body wax to the painted surfaces that mate with the door and trunk seals.

- Cover the car with a “breathable” cover, one made from a porous material such as cotton. Nonporous materials, such as plastic sheeting, trap moisture, which can damage the paint.
- If possible, run the engine for a while periodically (preferably once a month).

If you store your car for 12 months or longer, have your Acura dealer perform the inspections called for in the 24 months/30,000 miles (48,000 km) maintenance schedule (Normal Conditions) as soon as you take it out of storage (see page [172](#)). The replacements called for in the maintenance schedule are not needed unless the car has actually reached that time or mileage.

Regular cleaning and polishing of your Acura helps to keep it “new” looking. This section gives you hints on how to clean your car and preserve its appearance: the paint, brightwork, wheels and interior. Also included are several things you can do to help prevent corrosion.

Exterior Care.....	228
Washing	228
Power Antenna Cleaning	229
Waxing	229
Aluminum Wheels	230
Paint Touch-up.....	230
Interior Care	230
Carpeting	230
Floor Mats	231
Fabric	231
Vinyl	232
Leather	232
Seat Belts.....	232
Windows	232
Air Fresheners	232
Corrosion Protection	233
Body Repairs	234

Exterior Care

NOTICE

Although the exterior panels on your NSX are made of hardened aluminum, they may dent more easily than steel under some conditions. Exercise care when leaning on or over any part of the body.

Washing

Frequent washing helps preserve your car's beauty. Dirt and grit can scratch the paint, while tree sap and bird droppings can permanently ruin the finish.

Wash your car in a shady area, not in direct sunlight. If the car is parked in the sun, move it into the shade and let the exterior cool down before you start.

Only use the solvents and cleaners recommended in this Owner's Manual.

NOTICE

Chemical solvents and strong cleaners can damage the paint, metal, and plastic on your car.

- Rinse the car thoroughly with cool water to remove loose dirt.
- Fill a bucket with cool water. Mix in a mild detergent, such as dishwashing liquid or a product made especially for car washing.
- Wash the car using the water and detergent solution and a soft-bristle brush, sponge, or soft cloth. Start at the top and work your way down. Rinse frequently.

- Check the body for road tar, tree sap, etc. Remove these stains with tar remover or turpentine. Rinse it off immediately so it does not harm the finish. Remember to re-wax these areas, even if the rest of the car does not need waxing.
- When you have washed and rinsed the whole exterior, dry it with a chamois or soft towel. Letting it air-dry will cause dulling and water spots.

As you dry the car, inspect it for chips and scratches that could allow corrosion to start. Repair them with touch-up paint (see page [230](#)).

Power Antenna Cleaning

Twice a year, clean the antenna mast with a dry cloth and mild detergent. Scrub the antenna in upward strokes to avoid bending it. Rinse with water.

Make sure the antenna works smoothly by turning the stereo off and on several times with the ignition switch ON (II). The antenna does not need lubricating.

If you use a “drive-through” car wash, make sure you turn the stereo off first. This retracts the antenna to prevent damage from the car wash brushes.

Waxing

Always wash and dry the whole car before waxing it. You should wax your car, including the metal trim, whenever water sits on the surface in large patches. It should form into beads or droplets after waxing.

You should use a quality liquid or paste wax. Apply it according to the instructions on the container. In general, there are two types of products:

Waxes — A wax coats the finish and protects it from damage by exposure to sunlight, air pollution, etc. You should use a wax on your Acura when it is new.

Polishes — Polishes and cleaner/waxes can restore the shine to paint that has oxidized and lost some of its shine. They normally contain mild abrasives and solvents that remove the top layer of the finish. You should use a polish on your Acura if the finish does not have its original shine after using a wax.

Cleaning tar, insects, etc. with removers also takes off the wax. Remember to re-wax those areas, even if the rest of the car does not need waxing.

Exterior Care, Interior Care

Aluminum Wheels

Clean your Acura's aluminum alloy wheels as you do the rest of the exterior. Wash them with the same solution, and rinse them thoroughly.

The wheels have a protective clear-coat that keeps the aluminum from corroding and tarnishing. Using harsh chemicals, including some commercial wheel cleaners, or stiff brushes can damage this clear-coat. Only use a mild detergent and soft brush or sponge to clean the wheels.

Paint Touch-up

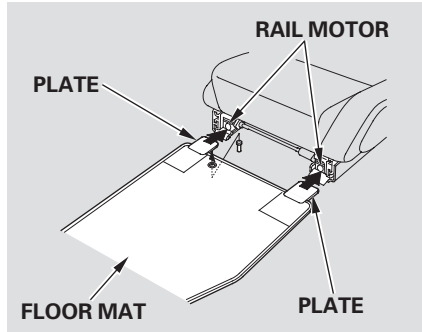
Your dealer has touch-up paint to match your car's color. The color code is printed on a sticker on the driver's doorjamb. Take this code to your dealer so you are sure to get the correct color. Although bare aluminum does not "rust" like bare metal, it will corrode and turn to dull gray if left unprotected.

Inspect your car frequently for chips or scratches in the paint. Repair them right away to prevent corrosion of the metal underneath. Use the touch-up paint only on small chips and scratches. More extensive paint damage should be repaired by a professional.

Carpeting

Vacuum the carpeting frequently to remove dirt. Ground-in dirt will make the carpet wear out faster. Periodically shampoo the carpet to keep it looking new. Use one of the foam-type carpet cleaners on the market. Follow the instructions that come with the cleaner, applying it with a sponge or soft brush. Keep the carpeting as dry as possible by not adding water to the foam.

Floor Mats



The Acura driver's floor mat that came with your car was designed to be hooked over the floor mat anchor. This keeps the floor mat from sliding forward and possibly interfering with the pedals.

The plates on both the driver's and passenger's floor mats should be inserted between the rail motor and seat rails underneath the seats.

If you remove the floor mat, make sure to re-anchor it when you put it back in your car.

If you replace it, use a genuine Acura floor mat that is designed to be used with the floor mat anchor in your car.

If you use a non-Acura floor mat in the driver's footwell, make sure it fits properly and that it can be used with the floor mat anchor.

Do not put additional floor mats on top of the anchored mat, otherwise the additional mats may slide forward and interfere with the pedals.

Fabric

Vacuum dirt and dust out of the material frequently. For general cleaning, use a solution of mild soap and lukewarm water, letting it air dry. To clean off stubborn spots, use a commercially-available fabric cleaner. Test it on a hidden area of the fabric first, to make sure it does not bleach or stain the fabric. Follow the instructions that come with the cleaner.

Interior Care

Vinyl

Remove dirt and dust with a vacuum cleaner. Wipe the vinyl with a soft cloth dampened in a solution of mild soap and water. Use the same solution with a soft-bristle brush on more difficult spots. You can also use commercially-available spray or foam-type vinyl cleaners.

Leather

Vacuum dirt and dust from the leather frequently. Pay particular attention to the pleats and seams. Clean the leather with a soft cloth dampened with clear water, then buff it with a clean, dry cloth. If further cleaning is needed, use a soap specifically for leather, such as saddle soap. Apply this soap with a damp, soft cloth. Wipe down and buff as described above.

Seat Belts

If your seat belts get dirty, you can use a soft brush with a mixture of mild soap and warm water to clean them. Do not use bleach, dye, or cleaning solvents. They can weaken the belt material. Let the belts air-dry before you use the car.

Windows

Clean the windows, inside and out, with a commercially-available glass cleaner. You can also use a mixture of one part white vinegar to ten parts water. This will remove the haze that builds up on the inside of the windows. Use a soft cloth or paper towels to clean all glass and clear plastic surfaces.

NOTICE

The rear window defogger and antenna wires are bonded to the inside of the glass. Wiping vigorously up-and-down can dislodge and break these

wires. When cleaning the rear window, use gentle pressure and wipe side-to-side.

Air Fresheners

If you want to use an air freshener/deodorizer in the interior of your car, it is best to use a solid type. Some liquid air fresheners contain chemicals that may cause parts of the interior trim and fabric to crack or discolor.

If you use a liquid air freshener, make sure you fasten it securely so it does not spill as you drive.

Two factors normally contribute to causing corrosion in your car:

1. Moisture trapped in body cavities. Dirt and road salt that collects in hollows on the underside of the car stays damp, promoting corrosion in that area.
2. Removal of paint and protective coatings from the exterior and underside of the car.

Many corrosion-preventive measures are built into your Acura. You can help keep your car from corroding by performing some simple periodic maintenance:

- Repair chips and scratches in the paint as soon as you discover them.
 - Inspect and clean out the drain holes in the bottom of the doors and body.
 - Check the floor coverings for dampness. Carpeting and floor mats may remain damp for a long time, especially in winter. This dampness can eventually cause the floor panels to corrode.
- Use a high-pressure spray to clean the underside of your car. This is especially important in areas that use road salt in winter. It is also a good idea in humid climates and areas subject to salt air. Be careful of the ABS wheel sensors and wiring at each wheel.
 - Have the corrosion-preventive coatings on the underside of your car inspected and repaired periodically.

Body Repairs

The entire body and undercarriage of your NSX is made of aluminum. Aluminum has different properties than steel, so special techniques are required to do successful body repair.

It is recommended that you choose a body shop experienced in repairing an aluminum body. Contact your Acura dealer for recommendations.

Make sure the repair facility uses Acura replacement body parts. Some companies make sheet metal pieces that seem to duplicate the original Acura body parts, but are actually inferior in fit, finish, and corrosion resistance. Once installed, they do not give the same high-quality appearance.

Inspect areas of the body that have been repaired rather than replaced. Try to look at the inside surfaces. Make sure the repair included reapplication of corrosion-preventive coatings. Bare metal corrodes very fast.

If you have any doubts about replaced or repaired body parts and whether corrosion-prevention measures were used during the repair, take the car to your Acura dealer for inspection.

This section covers the more-common problems that motorists experience with their vehicles. It gives you information about how to safely evaluate the problem and what to do to correct it. If the problem has stranded you on the side of the road, you may be able to get going again. If not, you will also find instructions on getting your car towed.

Changing a Flat Tire	236
If Your Engine Won't Start.....	249
Nothing Happens or the Starter Motor Operates Very Slowly.....	249
The Starter Operates Normally	250
Jump Starting	251
If Your Engine Overheats.....	254
Low Oil Pressure Indicator	256
Charging System Indicator.....	257
Malfunction Indicator Lamp	258
Brake System Indicator	260
Fuses	261
Checking and Replacing	263
If Your Car Gets Stuck.....	267
Emergency Towing	268

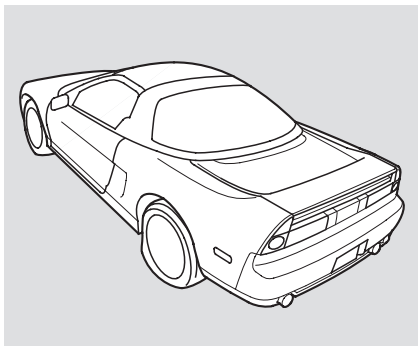
Changing a Flat Tire

If you have a flat tire while driving, stop in a safe place to change it. Stopping in traffic or on the shoulder of a busy road is dangerous. Drive slowly along the shoulder until you get to an exit or an area to stop that is far away from the traffic lanes.

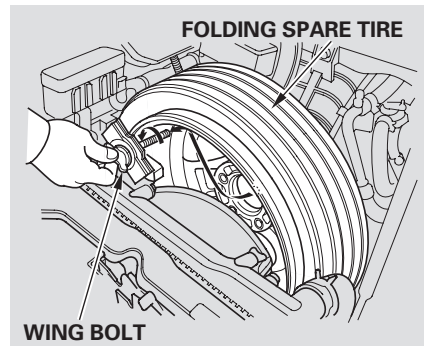
⚠ WARNING

The car can easily roll off the jack, seriously injuring anyone underneath.

Follow the directions for changing a tire exactly, and never get under the car when it is supported only by the jack.



1. Park the car on firm, level, and non-slippery ground away from traffic. Put the transmission in Park (automatic) or Reverse (manual). Apply the parking brake.
2. Turn on the hazard warning lights and turn the ignition switch to LOCK (0). Have your passenger get out of the car while you change the tire.

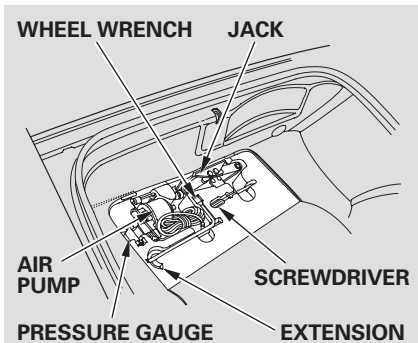


3. Open the hood (see page 135). Unscrew the wing bolt holding the folding spare tire. Remove the folding spare tire from the compartment. The wing bolt and wheel may be very warm from the air passing through the radiator. Use a cloth or gloves (not provided) to protect your hands when removing the spare tire.

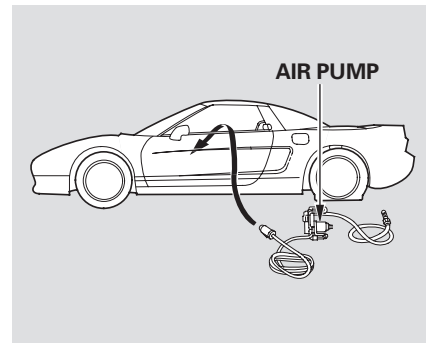
⚠ CAUTION

The radiator's electric fan runs automatically, even with the ignition off. The fan's blades can injure you.

Keep your hands, arms, and clothing away from the fan when removing the spare tire.



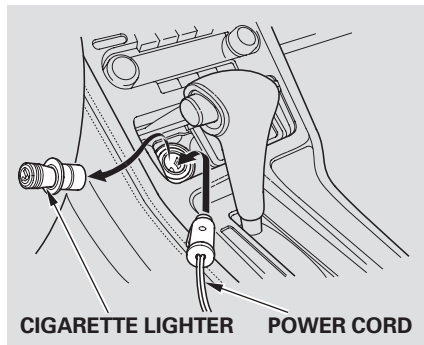
4. Open the trunk (see page 68). Lift the cover; remove the jack, wheel wrench, extension, air pump, pressure gauge, and screwdriver from the trunk. The tools may become very hot while the car is being driven. Wear gloves or use a protective cloth when handling the tools.



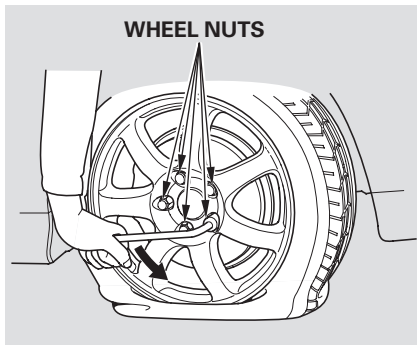
5. Place the air pump near the flat tire. Open the nearest window, and route the air pump's power cord through the open window.

CONTINUED

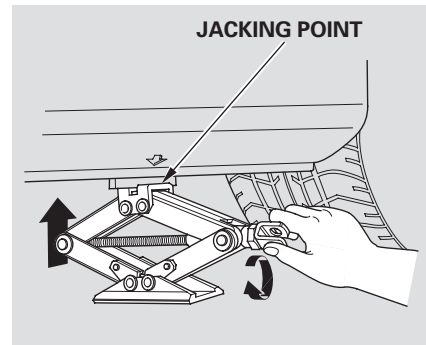
Changing a Flat Tire



6. Remove the cigarette lighter from its socket and plug the power cord end into the socket. Make sure the key is in the ignition switch at LOCK (0).



7. Loosen the five wheel nuts $1/2$ turn with the wheel wrench.

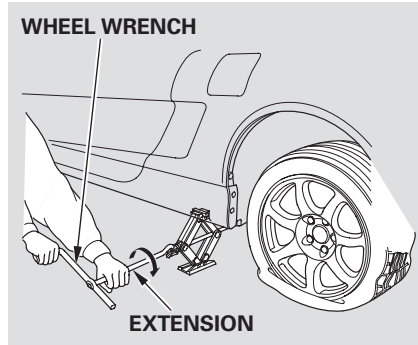


8. Locate the jacking point nearest the tire you need to change. It is pointed to by an arrow molded into the underside of the body. Place the jack under the jacking point. Turn the end bracket clockwise until the top of the jack contacts the jacking point. Make sure the jacking point tab is resting in the jack notch.

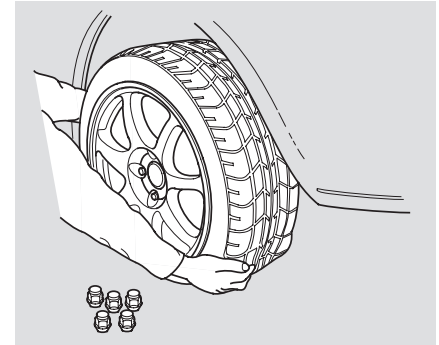
Changing a Flat Tire

NOTICE

Garage-type floor jacks and jacks of similar design can damage your car's underbody, even if they are located on the jacking point. Only use the scissors jack that comes with your NSX to raise the car.



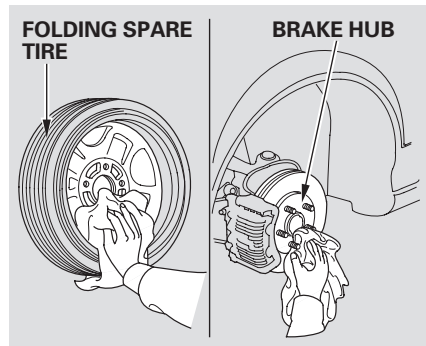
9. Use the extension and wheel wrench as shown to raise the car until the flat tire is off the ground.



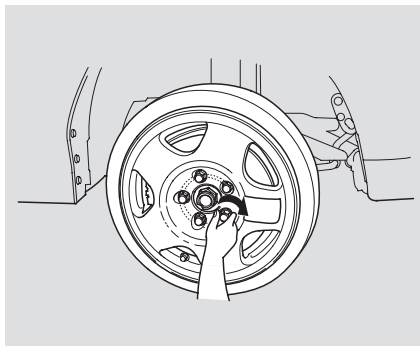
10. Remove the wheel nuts and flat tire. Temporarily place the flat tire on the ground with the outside surface of the aluminum wheel facing up. Placing the wheel face down could mar its finish.

CONTINUED

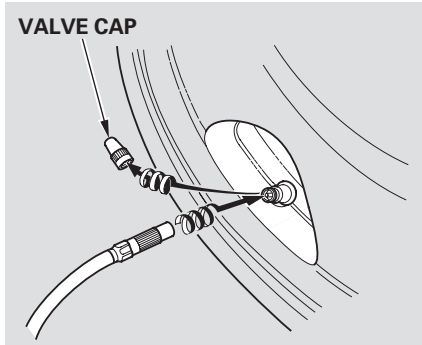
Changing a Flat Tire



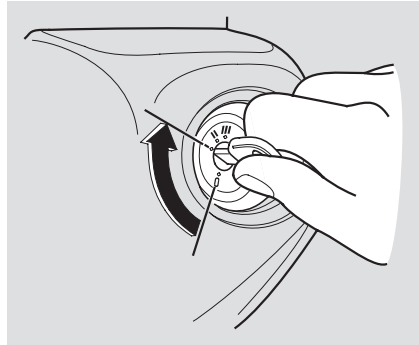
11. Before you put on the folding spare tire, wipe any dirt off the mounting surface of the wheel and hub with a clean cloth. This will assure a tight, even contact between the wheel and hub.



12. Put on the folding spare tire with the air valve toward the bottom. Put the wheel nuts back on finger-tight, then tighten them in a crisscross pattern with the wheel wrench until the wheel is firmly against the hub. Do not try to tighten them fully. Inflate the folding spare tire only when it is on the car. Inflating it while it is lying on the ground may trap stones or other foreign matter between the tire and the wheel rim.



13. Unscrew the valve cap from the folding spare tire's air valve by turning it counterclockwise. Then screw on the air pump hose.



14. Reach into the car and turn the ignition switch to ACCESSORY (I). This will start the air pump to inflate the tire.

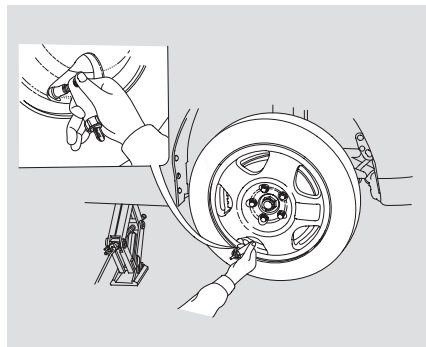
NOTICE

Do not climb into the car when it is on the jack. You could cause the car to roll off the jack, damaging the suspension and body.

Keep your fingers and clothing away as the tire inflates and unfolds from its compact size.

CONTINUED

Changing a Flat Tire



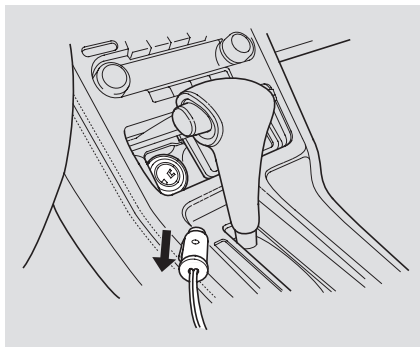
15. After about five minutes, unscrew the air pump hose and check the pressure with the supplied pressure gauge. Inflate to:

Front:

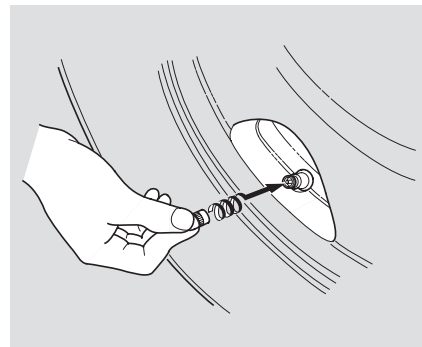
26 psi (180 kPa , 1.8 kgf/cm²)

Rear:

32 psi (220 kPa , 2.2 kgf/cm²)

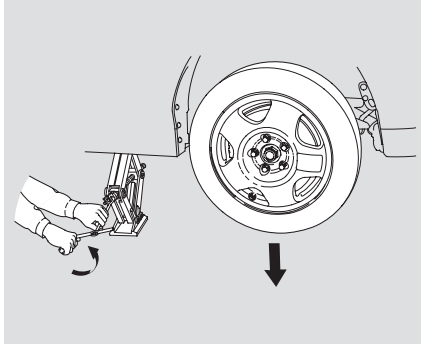


16. When finished, reach in and turn the ignition switch to LOCK (0). Unplug the air pump power cord.

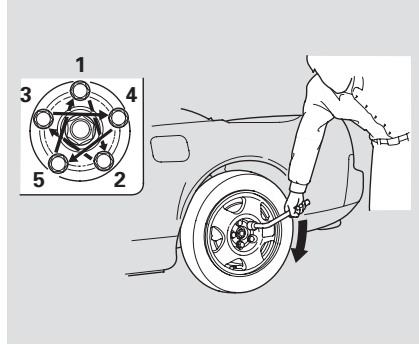


17. Screw the valve cap on the valve tightly with your hands.

Changing a Flat Tire



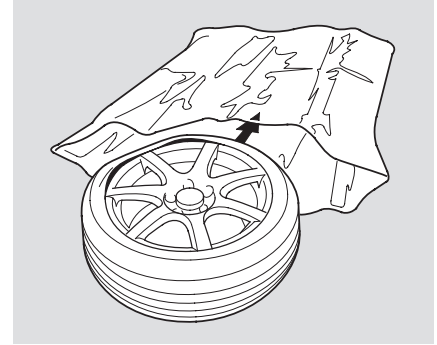
18. Lower the car to the ground and remove the jack.



19. Tighten the wheel nuts securely in the same crisscross pattern. Have the wheel nut torque checked at the nearest automotive service facility.

Tighten the wheel nuts to:
80 lbf-ft (108 N·m , 11 kgf·m)

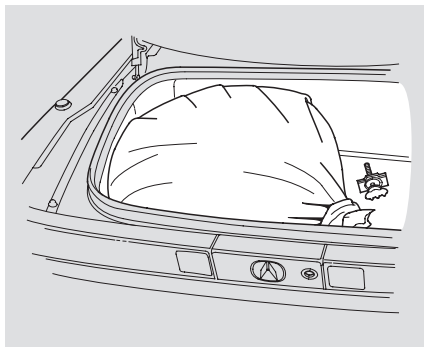
20. Store the jack, wheel wrench, extension, air pump, pressure gauge and screwdriver in the trunk.



21. Put the flat tire in the supplied vinyl bag. This bag is stored in the glove box.

CONTINUED

Changing a Flat Tire



22. Slide the tire in the trunk well with the outside surface of the aluminum wheel facing up.

23. Temporarily keep the wing bolt in the trunk as well. See **Replacing Tires and Wheels** on page [213](#) for tire replacement.

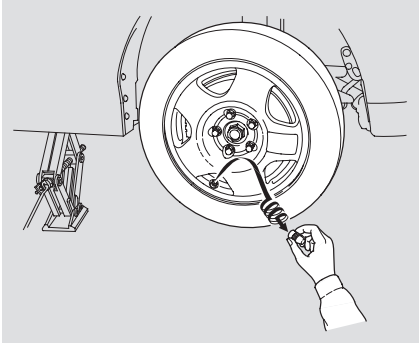
Storing the Folding Spare Tire

Before returning the folding spare tire to its compartment, you must let out all the air. It will fold back to its original space saving shape.

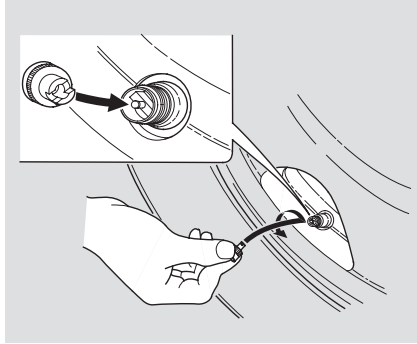
The folding spare tire must be off the ground when you let the air out. It is best to deflate the folding spare tire while it is still mounted on the car. This prevents foreign material from being trapped between the wheel and tire.

1. If the folding spare tire is still on the car, follow the instructions under **Changing a Flat Tire** to loosen the wheel nuts and jack up the car.

Changing a Flat Tire



2. Unscrew and remove the folding spare tire valve cap.

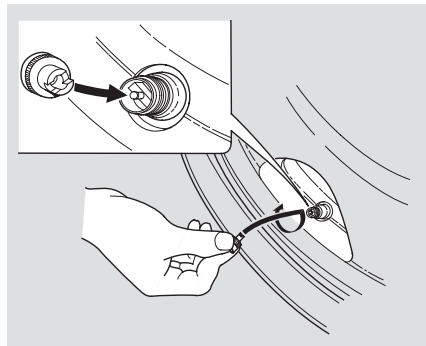


3. Remove the rubber cover on top of the valve cap. Use the notch on the valve cap to unscrew the spare tire valve core until the air starts coming out. Use your hand to shield your eyes. The valve core can fly out under pressure.

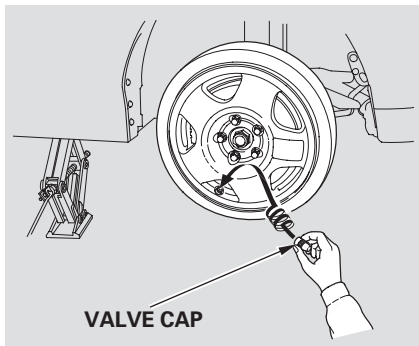
Keep your fingers and clothing away as the tire deflates and folds back to its compact size.

CONTINUED

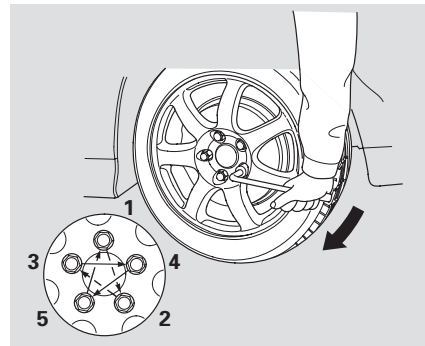
Changing a Flat Tire



4. As the tire deflates, it will fold back to its original shape. When the air stops coming out of the tire, use the notch on the valve cap to tighten the valve core.

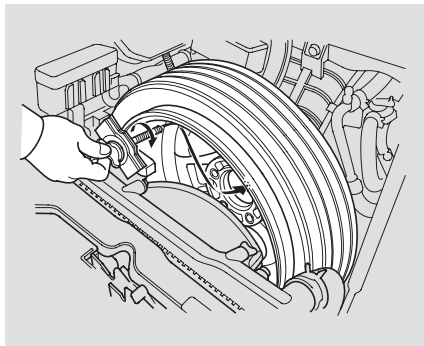


5. Put the rubber cap back on the valve cap. Screw the valve cap back on the folding spare tire valve.



6. Remove the folding spare tire and install the original tire and wheel nuts. Lower the car and tighten the wheel nuts securely in a criss-cross pattern.

Tighten to:
80 lbf-ft (108 N·m , 11 kgf·m)



7. Store the folding spare tire in the front compartment with the outside surface of the wheel contacting the bracket of the spare tire well. Securely tighten the wing bolt.

Air Pump

The air pump that comes with your NSX is designed specifically to inflate the folding spare tire.

Follow these precautions:

- Connect the air pump only to a 12 V car battery. Connecting it to any other power source could damage the air pump.
- Applying oil to any component of the air pump is not necessary.
- The surface of the air pump will become hot during use. Do not touch the air pump while in use.
- Continuous operation for more than 15 minutes could damage the air pump. Let it cool down before using it again.

Folding Spare Tire

Your car comes with a folding spare tire. Use this spare tire as a temporary replacement only. Get your regular tire replaced and put back on your car as soon as you can.

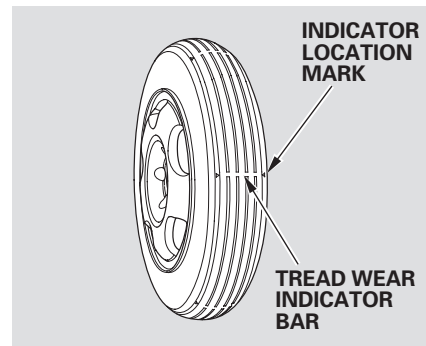
Follow these precautions whenever you are using the folding spare tire:

- Inflate or deflate the spare tire only when it is on the car. Inflating it on the ground may trap stones or other foreign matter between the tire and the wheel rim.
- Do not exceed 50 mph (80 km/h) under any circumstances.

CONTINUED

Changing a Flat Tire

- This tire gives a harsher ride and less traction on some road surfaces than the regular tire. Use greater caution while driving on this tire.
 - The spare tire is smaller than the regular tire, reducing your car's ground clearance. Such things as road debris and parking lot speed bumps could possibly damage the underside of your car.
 - Do not take your car to an automatic car wash when the spare tire is mounted. Because of the reduced ground clearance, the underside of your car could be damaged by the mechanism that pulls the car through the car wash.
- The wheel of the spare tire is designed especially to fit your car. Do not use your spare tire on another car unless it is the same make and model.
 - The folding spare tire cannot be repaired. Special equipment is required to remove it from the rim and install a new tire. If it is damaged, replace it with a folding spare tire of the same design. New spare tires are available at your Acura dealer.
 - Do not mount snow chains on the folding spare tire.



The folding spare tire has a shorter tread life than a regular tire. Replace it when you can see the tread wear indicator bars. The spare tire is not designed to be mounted on a regular wheel, and the compact wheel is not designed for mounting a regular tire.

Diagnosing why your engine won't start falls into two areas, depending on what you hear when you turn the key to START (III):

- You hear nothing, or almost nothing. The engine's starter motor does not operate at all, or operates very slowly.
- You can hear the starter motor operating normally, or the starter motor sounds like it is spinning faster than normal, but the engine does not start up and run.

Nothing Happens or the Starter Motor Operates Very Slowly

When you turn the ignition switch to START (III), you do not hear the normal noise of the engine trying to start. You may hear a clicking sound or series of clicks, or nothing at all. Check these things:

- Your car has the Immobilizer System. You should use a properly-coded master or valet key to start the engine (see page 62). A key that is not properly coded will cause the immobilizer system indicator in the dash panel to blink rapidly.
- Check the transmission interlock. If you have a manual transmission, the clutch pedal must be pushed all the way to the floor or the starter will not operate. With an automatic transmission, it must be in Park or Neutral.

- Turn the ignition switch to ON (II). Check the voltmeter reading. Turn on the headlights and check their brightness. If the voltmeter does not register and the headlights are very dim or don't light at all, the battery is discharged. See **Jump Starting** on page 251.
- If the voltmeter reads normally and the headlights are bright, turn the key to START (III) then release it.
- If the headlights do not dim, check the condition of the fuses. If the fuses are OK, there is probably something wrong with the electrical circuit for the ignition switch or starter motor. You will need a qualified technician to determine the problem. (See **Emergency Towing** on page 268.)

CONTINUED

If Your Engine Won't Start

If the headlights dim noticeably or go out when you try to start the engine, either the battery is discharged or the connections are corroded. Check the condition of the battery and terminal connections (see page 202). You can then try jump starting the car from a booster battery (see page 251).

The Starter Operates Normally

In this case, the starter motor's speed sounds normal, or even faster than normal, when you turn the ignition switch to START (III), but the engine does not run.

- Are you using the proper starting procedure? Refer to **Starting the Engine** on page 147 .
- Do you have fuel? Turn the ignition switch to ON (II) for a minute and watch the fuel gauge. The low fuel level warning light may not be working, so you were not reminded to fill the tank.

- There may be an electrical problem, such as no power to the fuel pump. Check all the fuses (see page 261).

If you find nothing wrong, you will need a qualified technician to find the problem. See **Emergency Towing** on page 268 .

If your car's battery has run down, you may be able to start the engine by using a booster battery. Although this seems like a simple procedure, you should take several precautions.

WARNING

A battery can explode if you do not follow the correct procedure, seriously injuring anyone nearby.

Keep all sparks, open flames, and smoking materials away from the battery.

You cannot start an Acura with an automatic transmission by pushing or pulling it.

To jump start your car, follow these directions closely:

1. Open the hood and check the physical condition of the battery (see page 204). In very cold weather, check the condition of the electrolyte. If it seems slushy or like ice, do not try jump starting until it thaws.

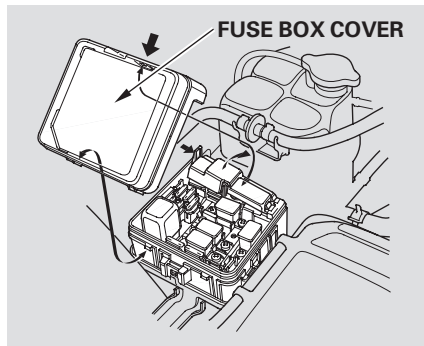
NOTICE

If a battery sits in extreme cold, the electrolyte inside can freeze. Attempting to jump start with a frozen battery can cause it to rupture.

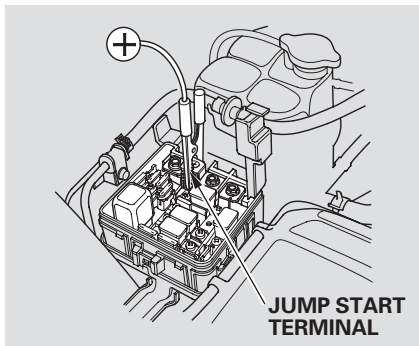
2. Turn off all the electrical accessories: climate control, stereo system, lights, etc. Put the transmission in Neutral or Park, and set the parking brake.

CONTINUED

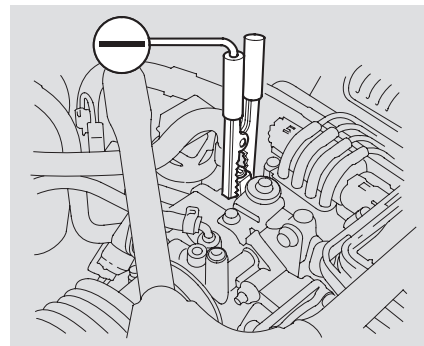
Jump Starting



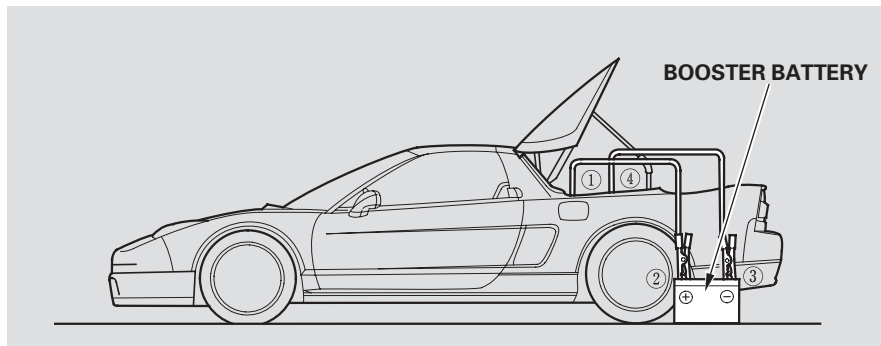
3. Open the rear window and engine compartment cover. Locate the engine compartment fuse box on the driver's side of the compartment. Remove the fuse box cover.



4. Connect one jumper cable to the JUMP START terminal in the fuse box. Connect the other end to the positive (+) terminal on the booster battery.



5. Connect the second jumper cable to the negative (-) terminal on the booster battery. Connect the other end to the boss on the intake manifold as shown. Do not connect this jumper cable to any other part of the engine.



6. If the booster battery is in another car, have an assistant start that car and run it at a fast idle.

7. Start your car. If the starter motor still operates slowly, check the jumper cable connections to make sure they have good metal-to-metal contact.

8. Once your car is running, disconnect the negative cable from your car, then from the booster battery. Disconnect the positive cable from your car, then the booster battery.

Keep the ends of the jumper cables away from each other and any metal on the car until all are disconnected. Otherwise, you may cause an electrical short.

If Your Engine Overheats

The pointer of your car's temperature gauge should stay in the mid-range under most conditions. It may go higher if you are driving up a long steep hill on a very hot day. If it climbs to the red mark, you should determine the reason.

NOTICE

Driving with the temperature gauge pointer at the red mark can cause serious damage to your engine.

Your car can overheat for several reasons, such as lack of coolant or a mechanical problem. The only indication may be the temperature gauge climbing to or above the red mark. Or you may see steam or spray coming from under the car or engine cover. In either case, you should take immediate action.

WARNING

Steam and spray from an overheated engine can seriously scald you.

Do not open the hood if steam is coming out.

1. Safely pull to the side of the road. Put the transmission in Neutral or Park and set the parking brake. Turn off the climate control and all other accessories. Turn on the hazard warning indicators.
2. If you see steam and/or spray coming from under the car or the engine cover, turn off the engine.
3. If you do not see steam or spray, leave the engine running and watch the temperature gauge. If the high heat is due to overloading (climbing a long, steep hill on a hot day with the A/C running, for example), the engine should start to cool down almost immediately. If it does, wait until the temperature gauge comes down to the midpoint then continue driving.
4. If the temperature gauge stays at the red mark, turn off the engine.
5. Wait until you see no more signs of steam or spray, then open the front hood and engine cover.

6. Look for any obvious coolant leaks, such as a split radiator hose. Everything is still extremely hot, so use caution. If you find a leak, it must be repaired before you continue driving (see **Emergency Towing** on page 268).

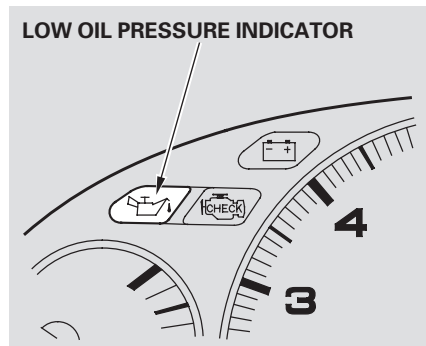
WARNING

Removing the expansion tank cap while the engine is hot can cause the coolant to spray out, seriously scalding you.

Always let the engine and radiator cool down before removing the expansion tank cap.

7. If you don't find an obvious leak, check the coolant level in the expansion tank (see page 135).
8. If the expansion tank needs coolant, you will have to remove the cap. Before doing that, turn the ignition switch ON (II) and check the temperature gauge. Remove the expansion tank cap **ONLY** if the temperature gauge pointer has come down to normal or below and you do not hear any bubbling or gurgling noises coming from the cooling system.
9. Use a cloth or glove to protect your hand while removing the expansion tank cap. Without pressing it downward, turn the cap one-quarter turn counterclockwise. Stop and wait for any pressure in the expansion tank to escape. Then press down on the cap and turn it counterclockwise to remove it.
10. Start the engine and set the climate control to FULL AUTO at 90°F (32°C). Add coolant up to the MAX line on the expansion tank. If you do not have the proper coolant mixture available, you can add plain water. Remember to have the cooling system drained and refilled with the proper mixture as soon as you can.
11. Put the expansion tank cap back on tightly. Run the engine and watch the temperature gauge. If it goes back to the red mark, the engine needs repair. (See **Emergency Towing** on page 268 .)
12. If the temperature stays normal, check the coolant level in the expansion tank. If it has gone down, add coolant to the MAX mark. Put the expansion tank cap back on tightly.

Low Oil Pressure Indicator



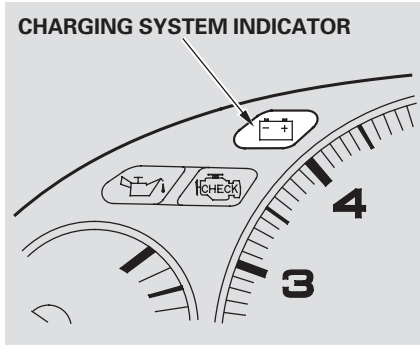
This indicator should light when the ignition switch is ON (II), and go out after the engine starts. It should never come on when the engine is running. If it starts flashing, it indicates that the oil pressure dropped very low for a moment, then recovered. If the indicator stays on with the engine running, it shows that the engine has lost oil pressure and serious engine damage is possible. In either case, you should take immediate action.

NOTICE

Running the engine with low oil pressure can cause serious mechanical damage almost immediately. Turn off the engine as soon as you can safely get the car stopped.

1. Safely pull off the road and shut off the engine. Turn on the hazard warning indicators.
2. Let the car sit for a minute. Open the engine compartment and check the oil level (see page [133](#)). Although oil level and oil pressure are not directly connected, an engine that is very low on oil can lose pressure during cornering and other driving maneuvers.
3. If necessary, add oil to bring the level back to the full mark on the dipstick (see page [134](#)).
4. Start the engine and watch the oil pressure indicator. If the light does not go out within ten seconds, turn off the engine. There is a mechanical problem that needs to be repaired before you can continue driving. (See **Emergency Towing** on page [268](#).)

Charging System Indicator

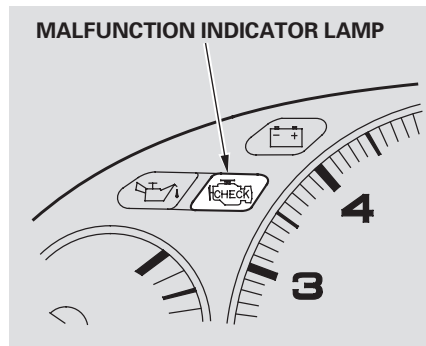


This indicator should come on when the ignition switch is ON (II), and go out after the engine starts. If it comes on brightly when the engine is running, it indicates that the charging system has stopped charging the battery.

Immediately turn off all electrical accessories: radio, climate control, rear defogger, cruise control, etc. Try not to use other electrically-operated controls such as the power windows. Keep the engine running and take extra care not to stall it. The starter motor uses lots of current and will discharge the battery rapidly. Check the voltmeter as you drive. If there is a problem in the charging system, the voltage will gradually drop.

By eliminating as much of the electrical load as possible, you can drive several miles (kilometers) before the battery is too discharged to keep the engine running. Drive to a service station or garage where you can get technical assistance.

Malfunction Indicator Lamp



This indicator comes on for a few seconds when you turn the ignition switch ON (II). If it comes on at any other time, it indicates one of the engine's emissions control systems may have a problem. Even though you may feel no difference in your car's performance, it can reduce your fuel economy and cause your car to put out excessive emissions. Continued operation may cause serious damage.

If you have recently refueled your car, the cause of this indicator coming on could be a loose or missing fuel fill cap. Check the cap and tighten it until it clicks several times. Replace the fuel fill cap if it is missing. Tightening the cap will not make the indicator turn off immediately; it takes at least three days of normal driving.

If the indicator remains on past three driving trips, or the fuel cap was not loose or missing, have the car checked by the dealer as soon as possible. Drive moderately until the dealer has inspected the problem. Avoid full-throttle acceleration and driving at high speed.

You should also have the dealer inspect your car if this indicator comes on repeatedly, even though it may turn off as you continue driving.

NOTICE

If you keep driving with the malfunction indicator lamp on, you can damage your car's emissions controls and engine. Those repairs may not be covered by your car's warranties.

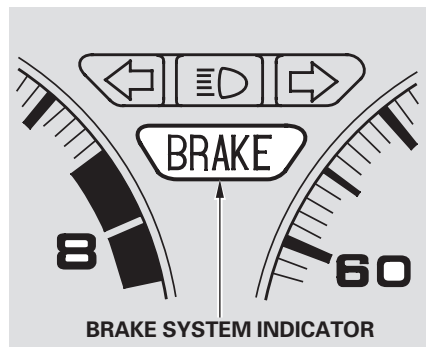
Readiness Codes

Your car has certain “readiness codes” that are part of the on-board diagnostics for the emissions systems. In some states, part of the emissions testing is to make sure these codes are set. If they are not set, the test cannot be completed.

If your car’s battery has been disconnected or gone dead, these codes are erased. It takes several days of driving under various conditions to set the codes again.

If possible, do not take your car for a state emissions test until the readiness codes are set. Refer to State Emissions Testing for more information. (See page [282](#).)

Brake System Indicator



The Brake System Indicator normally comes on when you turn the ignition switch ON (II). It is a reminder to check the parking brake. It comes on and stays lit if you do not fully release the parking brake.

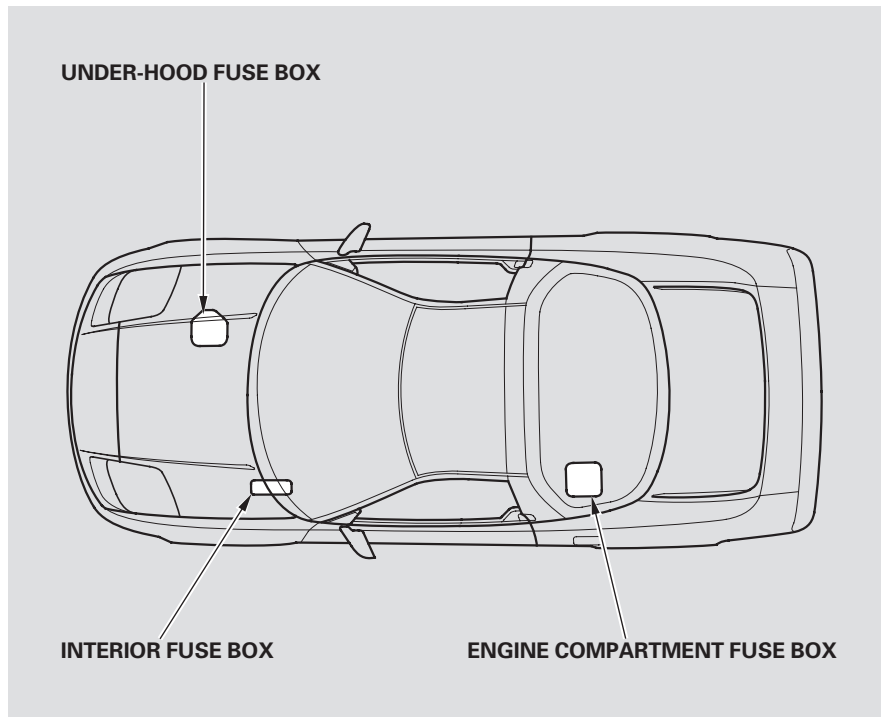
If it comes on at any other time, it indicates a problem with the car's brake system. In most cases, the problem is a low fluid level in the brake fluid reservoir. Press lightly on the brake pedal to see if it feels normal. If it does, check the brake fluid level the next time you stop at a service station (see page 195). If the fluid level is low, take the car to your dealer and have the brake system inspected for leaks or worn brake pads.

However, if the brake pedal does not feel normal, you should take immediate action. Because of the brake system's dual-circuit design, a problem in one part of the system will still give you braking at two wheels. You will feel the brake pedal go down much farther before the car begins to slow down, and you will have to press harder on the pedal. The distance needed to stop will be much longer.

Slow down by shifting to a lower gear, and pull to the side of the road when it is safe. Because of the longer distance needed to stop, it is hazardous to drive the car. You should have it towed, and repaired as soon as possible.

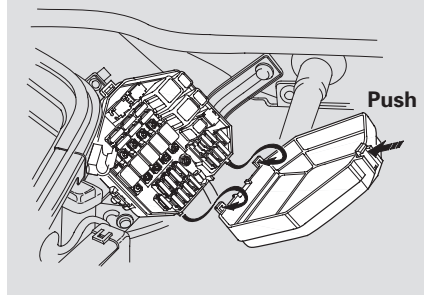
If you must drive the car a short distance in this condition, drive slowly and cautiously.

All the electrical circuits in your car have fuses to protect them from a short circuit or overload. These fuses are located in three fuse boxes.



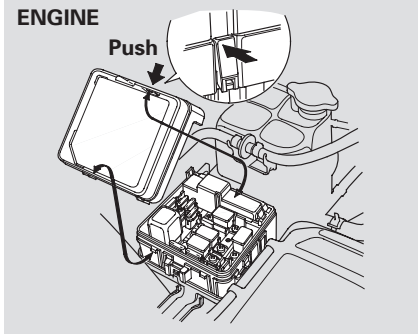
Fuses

UNDER-HOOD



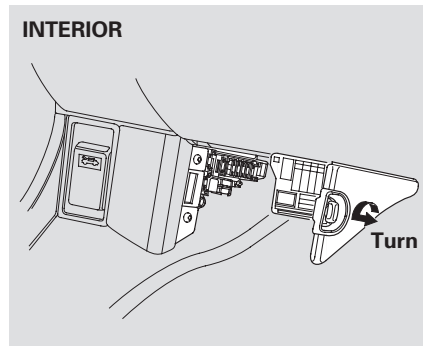
The under-hood fuse box is located in the front of the engine compartment on the passenger's side. To open it, push the tab as shown.

ENGINE



The engine compartment fuse box is located next to the air cleaner housing. To open, push the tab as shown.

INTERIOR

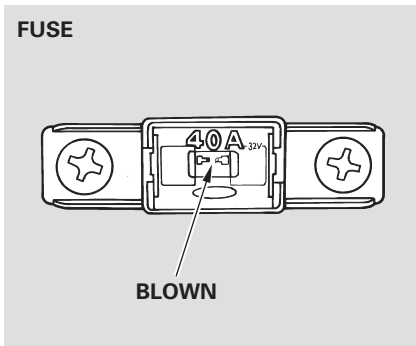


The interior fuse box is underneath the dashboard on the driver's side. To open it, turn the knob as shown.

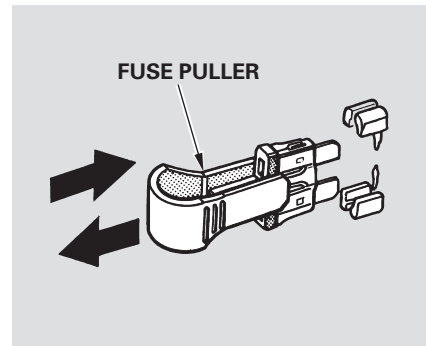
Checking and Replacing Fuses

If something electrical in your car stops working, the first thing you should check for is a blown fuse. Determine from the chart on pages 265 and 266, or the diagram on the fuse box lid, which fuse or fuses control that component. Check those fuses first, but check all the fuses before deciding that a blown fuse is not the cause. Replace any blown fuses and check the component's operation.

1. Turn the ignition switch to LOCK (0). Make sure the headlights and all other accessories are off.
2. Remove the cover from the fuse box.



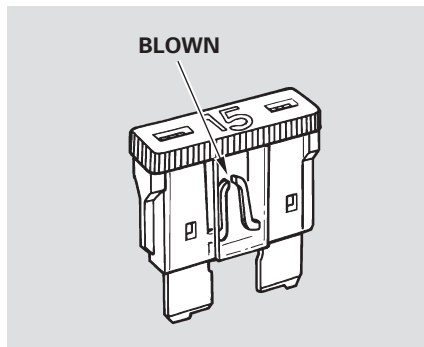
3. Check each of the large fuses in the under-hood and engine compartment fuse boxes by looking through the top at the wire inside. Removing these fuses requires a Phillips-head screwdriver.



4. Check the smaller fuses by pulling out the fuse with the fuse puller provided in the interior fuse box.

CONTINUED

Fuses



5. Look for a burned wire inside the fuse. If it is burned, replace it with one of the spare fuses of the same rating or lower.

If you cannot drive the car without fixing the problem, and you do not have a spare fuse, take a fuse of the same rating or a lower rating from one of the other circuits. Make sure you can do without that circuit temporarily (such as the cigarette lighter or radio).

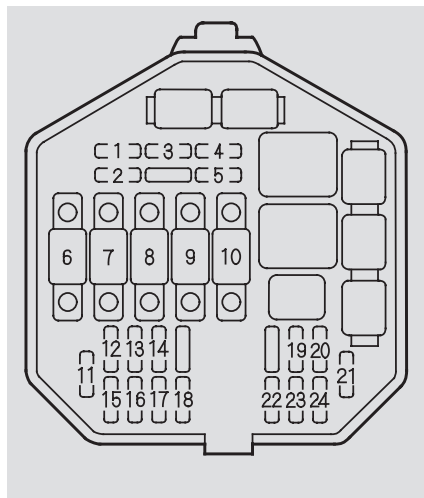
If you replace the blown fuse with a spare fuse that has a lower rating, it might blow out again. This does not indicate anything wrong. Replace the fuse with one of the correct rating as soon as you can.

NOTICE

Replacing a fuse with one that has a higher rating greatly increases the chances of damaging the electrical system. If you do not have a replacement fuse with the proper rating for the circuit, install one with a lower rating.

6. If the replacement fuse of the same rating blows in a short time, there is probably a serious electrical problem in your car. Leave the blown fuse in that circuit and have your car checked by a qualified mechanic.

UNDER-HOOD FUSE BOX



No.	Amps.	Circuits Protected
1	20 A	Driver's Power Window
2	20 A	Passenger's Power Window
3	20 A	Speaker Amplifier
4	20 A	Left Headlight Low
5	20 A	Right Headlight Low
6	40 A	Wiper Motor
7	50 A	EPS
8	30 A	Blower Motor
9	50 A	Ignition Switch (A)
10	30 A	ABS
11	30 A	Cooling Fan
12	20 A	ABS 1, 4
13	10 A	Daytime Running Lights*

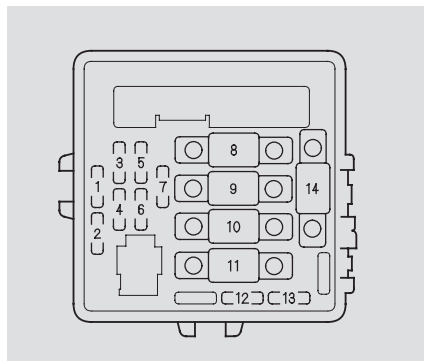
* : Canadian Model

No.	Amps.	Circuits Protected
14	15 A	Small Lights
15	10 A	O ₂ Sensor Heater
16	7.5 A	Digital Clock
17	15 A	Interior Light
18	20 A	Power Door Lock
19	20 A	Brake Lights, Horn
20	10 A	Hazard Lights
21	10 A	Left Headlight High
22	10 A	Left Condenser Fan
23	10 A	Right Condenser Fan
24	10 A	Right Headlight High

CONTINUED

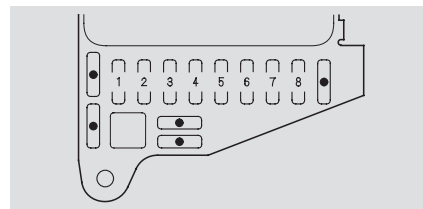
Fuses

ENGINE COMPARTMENT FUSE BOX



No.	Amps.	Circuits Protected
1	10 A	Engine Room Fan
2	10 A	HAC Clutch
3	20 A	Passenger's Power Seat Reclining
4	20 A	Driver's Power Seat Reclining
5	20 A	Passenger's Power Seat Slide
6	20 A	Driver's Power Seat Slide
7	20 A	ACG (S)
8	120 A	ACG
9	60 A	Air Pump
10	40 A	Rear Defroster
11	30 A	Ignition Switch (B)
12	20 A	Throttle Motor
13	20 A	Cigarette Lighter
14	30 A	Ignition Coil

INTERIOR FUSE BOX



● : Spare Fuse

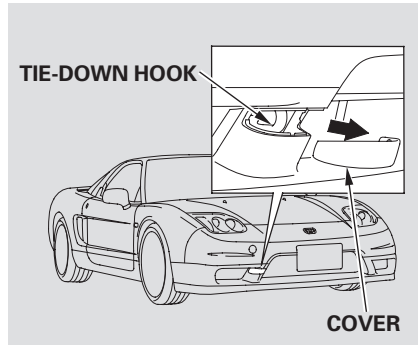
No.	Amps.	Circuits Protected
1	10 A	SRS 1
2	15 A	SRS 2, Fuel Pump
3	7.5 A	Daytime Running Lights*
4	15 A	Heater Control, Rear Defroster Relay, Cooling Fan Control
5	15 A	Back-up Lights, Turn Signals, Alternator
6	7.5 A	Washer
7	7.5 A	Starter Signal
8	10 A	Radio

* : Canadian Model

If your car gets stuck in sand, mud, or snow, call a towing service to pull it out (see page 268).

NOTICE

“Rocking” your car between forward and reverse gear or revving up the engine and allowing the wheels to spin freely at high speeds can damage the automatic transmission. Use a tow service to prevent transmission damage.



For very short distances such as freeing the car, you can use the tie-down hook on the lower right of the front bumper. Remove the cover to expose the hook. This hook is not for open-road towing (see **Emergency Towing**, page 268).

Emergency Towing

If your car needs to be towed, call a professional towing service or, if you belong to one, an organization that provides roadside assistance. Never tow your car behind another vehicle with just a rope or chain. It is very dangerous.

There are three popular types of professional towing equipment.

Flat-bed Equipment — The operator loads your car on the back of a truck. **This is the only way your NSX should be transported.**

When you contact the towing agency, inform them that you have an NSX and that a flat-bed is required.

Wheel-Lift Equipment — The tow truck uses two pivoting arms that go under the tires (front or rear) and lift them off the ground. The other two tires remain on the ground. Because the NSX sits so low, the body could come in contact with the ground and be damaged. **This method of towing is unacceptable.**

Sling-type Equipment — The tow truck uses metal cables with hooks on the ends. These hooks go around parts of the frame or suspension and the cables lift that end of the car off the ground. Your car's suspension and body can be seriously damaged. **This method of towing is unacceptable.**

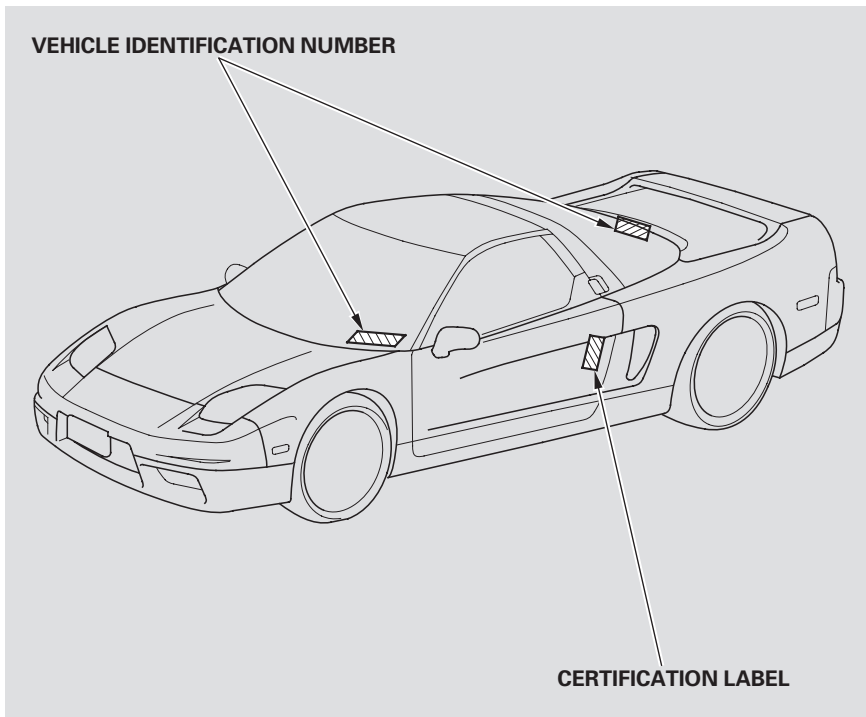
The diagrams in this section give you the dimensions and capacities of your Acura, and the locations of the identification numbers. It also includes information you should know about your vehicle's tires and emissions control systems.

Identification Numbers.....	270	Oxygenated Fuels.....	277
Specifications	272	Driving in Foreign Countries	278
DOT Tire Quality Grading	274	Emissions Controls.....	279
Treadwear	274	The Clean Air Act.....	279
Traction.....	274	Crankcase Emissions Control System.....	279
Temperature	275	Evaporative Emissions Control System.....	279
Tire Information	276	Onboard Refueling Vapor Recovery	279
		Exhaust Emissions Controls ...	280
		PGM-FI System	280
		Ignition Timing Control System.....	280
		Exhaust Gas Recirculation (EGR) System.....	280
		Three Way Catalytic Converter.....	280
		Replacement Parts.....	280
		Three Way Catalytic Converter..	281
		State Emissions Testing	282

Identification Numbers

Your car has several identifying numbers located in various places.

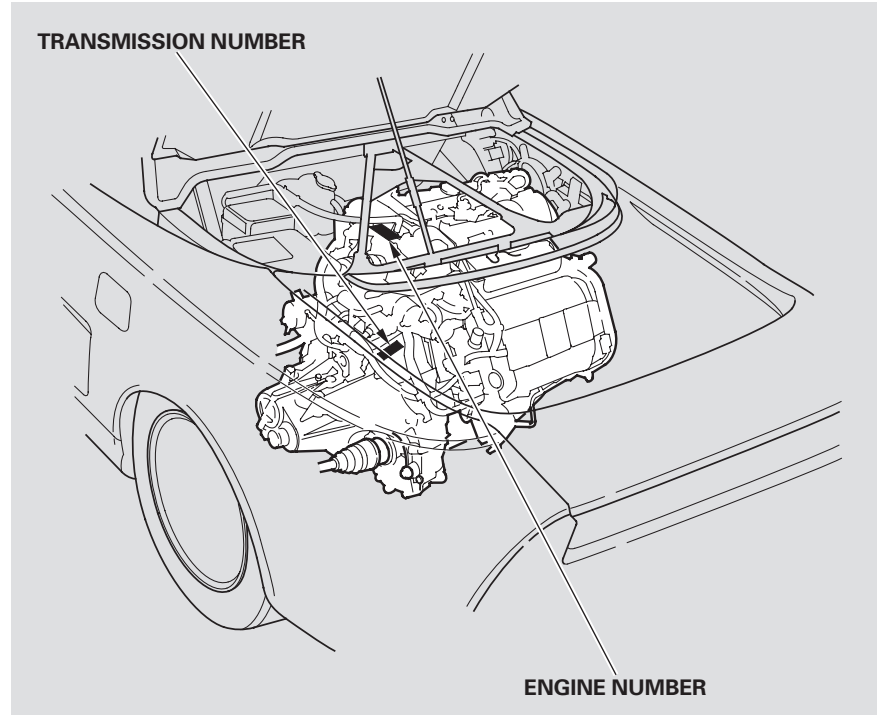
The Vehicle Identification Number (VIN) is the 17-digit number your Acura dealer uses to register your car for warranty purposes. It is also necessary for licensing and insuring your car. The easiest place to find the VIN is on a plate fastened to the top of the dashboard. You can see it by looking through the windshield on the driver's side. It is also on the Certification label attached to the driver's doorjamb, and is stamped on the engine compartment bulkhead. The VIN is also provided in bar code on the Certification label.



Identification Numbers

The Engine Number is stamped on the back left corner of the engine block, below the rear valve cover.

The Transmission Number is on a label on top of the transmission.



Specifications

Dimensions

Length	174.2 in (4,425 mm)
Width	71.3 in (1,810 mm)
Height	46.1 in (1,170 mm)
Wheelbase	99.6 in (2,530 mm)
Track	Front 59.4 in (1,510 mm)
	Rear 60.6 in (1,540 mm)

Weights

Gross vehicle weight rating	See the certification label attached to the driver's doorjamb.
-----------------------------	--

Engine

Type	Water cooled 4-stroke DOHC VTEC V-6 gasoline engine
Bore x Stroke	3.54 x 3.07 in (90.0 x 78.0 mm) ^{*1} 3.66 x 3.07 in (93.0 x 78.0 mm) ^{*2}
Displacement	181.6 cu-in (2,977 cm ³) ^{*1} 194 cu-in (3,179 cm ³) ^{*2}
Compression ratio	10.2 : 1
Spark plugs	See spark plug maintenance section page 201 .

* 1 : 3.0 model (4 AT)

* 2 : 3.2 model (6 MT)

Capacities

Fuel tank		18.5 US gal (70 ℓ)
Engine coolant		
Manual Transmission	Change ^{*3}	3.17 US gal (12.0 ℓ)
	Total	4.23 US gal (16.0 ℓ)
Automatic Transmission	Change ^{*3}	3.17 US gal (12.0 ℓ)
	Total	4.36 US gal (16.5 ℓ)
Engine oil	Change ^{*4}	
	Including filter	5.3 US qt (5.0 ℓ)
	Without filter	4.5 US qt (4.3 ℓ)
	Total	6.3 US qt (6.0 ℓ)
Manual transmission fluid	Change	2.7 US qt (2.6 ℓ)
	Total	3.1 US qt (2.9 ℓ)
Automatic transmission fluid	Change	3.1 US qt (2.9 ℓ)
	Total	7.4 US qt (7.0 ℓ)
Windshield washer reservoir	U.S. Cars	2.6 US qt (2.5 ℓ)
	Canadian Cars	4.2 US qt (4.0 ℓ)

* 3 : Including the coolant in the expansion tank and that remaining in the engine.

Expansion tank capacity:
0.55 US gal (2.1 ℓ)

* 4 : Excluding the oil remaining in the engine.

Lights

Headlights*1 (High beam)	12 V – 60 W (HB3)
Front turn signal lights	12 V – 45 CP
Front parking lights	12 V – 5 W
Rear turn signal lights	12 V – 45 CP
Stop/Taillights	12 V – 32/2 CP (SAE 2057)
Taillights	12 V – 2 CP
Side marker lights	Front 12 V – 3 CP Rear 12 V – 3 CP
Back-up lights	12 V – 32 CP
License plate lights	12 V – 8 W
Interior light	12 V – 5 W
Trunk light	12 V – 5 W
Door courtesy lights	12 V – 3.4 W

* 1 : Low beam headlight bulbs are a type of high voltage discharge tube.

Air conditioning

Refrigerant type	HFC-134a (R-134a)
Charge quantity	28.2 – 30.0 oz (800 – 850 g)
Lubricant type	ND-OIL8

Battery

Capacity	
Manual transmission	12 V – 52 AH/5 HR
Automatic transmission	12 V – 55 AH/5 HR

Fuses

Front compartment	See page 265 or the fuse box cover.
Interior	See page 266 or the fuse label attached to the inside of the fuse box door under the dashboard.
Engine compartment	See page 266 or the fuse box cover.

Alignment

Toe	Front	out 0.14 in (3.5 mm)
	Rear	in 0.16 in (4.0 mm)
Camber	Front	– 0°20'
	Rear	– 1°30'
Caster	Front	8°

Tires

Size	Front	215/40R17 83Y
	Rear	255/40R17 94Y
	Folding spare Tire	165/75D16
Pressure	Front	33 psi (230 kPa , 2.3 kgf/cm ²)
	Rear	40 psi (275 kPa , 2.8 kgf/cm ²)
Folding spare tire	Front	26 psi (180 kPa , 1.8 kgf/cm ²)
	Rear	32 psi (220 kPa , 2.2 kgf/cm ²)

DOT Tire Quality Grading (U.S. Vehicles)

The tires on your vehicle meet all U.S. Federal Safety Requirements. All tires are also graded for treadwear, traction, and temperature performance according to Department of Transportation (DOT) standards. The following explains these gradings.

Uniform Tire Quality Grading

Quality grades can be found where applicable on the tire sidewall between the tread shoulder and the maximum section width. For example:

Treadwear 200
Traction AA
Temperature A

All passenger car tires must conform to Federal Safety Requirements in addition to these grades.

Treadwear

The treadwear grade is a comparative rating based on the wear rate of the tire when tested under controlled conditions on a specified government test course. For example, a tire graded 150 would wear one and one-half (1 1/2) times as well on the government course as a tire graded 100. The relative performance of tires depends upon the actual conditions of their use, however, and may depart significantly from the norm due to variations in driving habits, service practices and differences in road characteristics and climate.

Traction — AA, A, B, C

The traction grades, from highest to lowest, are AA, A, B, and C. Those grades represent the tire's ability to stop on wet pavement as measured under controlled conditions on specified government test surfaces of asphalt and concrete. A tire marked C may have poor traction performance.

Warning: The traction grade assigned to this tire is based on straight-ahead braking traction tests, and does not include acceleration, cornering, hydroplaning, or peak traction characteristics.

Temperature – A, B, C

The temperature grades are A (the highest), B, and C, representing the tire's resistance to the generation of heat and its ability to dissipate heat when tested under controlled conditions on a specified indoor laboratory test wheel. Sustained high temperature can cause the material of the tire to degenerate and reduce tire life, and excessive temperature can lead to sudden tire failure. The grade C corresponds to a level of performance which all passenger car tires must meet under the Federal Motor Vehicle Safety Standard No. 109. Grades B and A represent higher levels of performance on the laboratory test wheel than the minimum required by law.

Warning: The temperature grade for this tire is established for a tire that is properly inflated and not overloaded. Excessive speed, underinflation, or excessive loading, either separately or in combination, can cause heat buildup and possible tire failure.

Tire Information

Tire Labeling

The tires that came on your car have a number of markings. Those you should be aware of are described below.

Tire Size

Whenever tires are replaced, they should be replaced with tires of the same size. Following is an example tire size with an explanation of what each component means.

P225/55R16 94V

- P — Vehicle type (P indicates passenger vehicle).
- 225 — Tire width in millimeters.
- 55 — Aspect ratio (the tire's section height as a percentage of its width).
- R — Tire construction code (R indicates radial).

- 16 — Rim diameter in inches.
- 94 — Load index (a numerical code associated with the maximum load the tire can carry).
- V — Speed symbol (an alphabetical code indicating the maximum speed rating).

Tire Identification Number

Tire Identification Number (TIN) is a group of numbers and letters that look like the following example TIN.

DOT B97R FW6X 2202

- DOT — This indicates that the tire meets all requirements of the U.S. Department of Transportation.
- B97R — Manufacturer's identification mark.
- FW6X — Tire type code.

- 2202 — Date of manufacture.

Some conventional gasolines are being blended with alcohol or an ether compound. These gasolines are collectively referred to as oxygenated fuels. To meet clean air standards, some areas of the United States and Canada use oxygenated fuels to help reduce emissions.

If you use an oxygenated fuel, be sure it is unleaded and meets the minimum octane rating requirement.

Before using an oxygenated fuel, try to confirm the fuel's contents. Some states/provinces require this information to be posted on the pump.

The following are the U.S. EPA and Canadian CGSB approved percentages of oxygenates:

ETHANOL (ethyl or grain alcohol)
You may use gasoline containing up to 10 percent ethanol by volume. Gasoline containing ethanol may be marketed under the name "Gasohol."

MTBE (Methyl Tertiary Butyl Ether)
You may use gasoline containing up to 15 percent MTBE by volume.

METHANOL (methyl or wood alcohol)
Your vehicle was not designed to use fuel that contains methanol. Methanol can corrode metal parts in the fuel system, and also damage plastic and rubber components. This damage would not be covered by your warranties.

If you notice any undesirable operating symptoms, try another service station or switch to another brand of gasoline.

Fuel system damage or performance problems resulting from the use of an oxygenated fuel containing more than the percentages of oxygenates given above are not covered under warranty.

Driving in Foreign Countries

If you are planning to take your Acura outside the U.S. or Canada, contact the tourist bureaus in the areas you will be traveling in to find out about the availability of unleaded gasoline with the proper octane rating.

If unleaded gasoline is not available, be aware that using leaded gasoline in your Acura will affect performance and fuel mileage, and damage its emissions controls. It will no longer comply with U.S. and Canadian emissions regulations, and will be illegal to operate in North America. To bring your car back into compliance will require the replacement of several components, such as the oxygen sensors and the three way catalytic converter. These replacements are not covered under warranty.

The burning of gasoline in your car's engine produces several byproducts. Some of these are carbon monoxide (CO), oxides of nitrogen (NOx) and hydrocarbons (HC). Gasoline evaporating from the tank also produces hydrocarbons. Controlling the production of NOx, CO, and HC is important to the environment. Under certain conditions of sunlight and climate, NOx and HC react to form photochemical "smog." Carbon monoxide does not contribute to smog creation, but it is a poisonous gas.

The Clean Air Act

The United States Clean Air Act* sets standards for automobile emissions. It also requires that automobile manufacturers explain to owners how their emissions controls work and what to do to maintain them. This section summarizes how the emissions controls work. Scheduled maintenance is on page [172](#).

* In Canada, Acura vehicles comply with the Canadian emission requirements, as specified in an agreement with Environment Canada, at the time they are manufactured.

Crankcase Emissions Control System

Your car has a Positive Crankcase Ventilation System. This keeps gasses that build up in the engine's crankcase from going into the atmosphere. The Positive Crankcase

Ventilation valve routes them from the crankcase back to the intake manifold. They are then drawn into the engine and burned.

Evaporative Emissions Control System

As gasoline evaporates in the fuel tank, an evaporative emissions control canister filled with charcoal adsorbs the vapor. It is stored in this canister while the engine is off. After the engine is started and warmed up, the vapor is drawn into the engine and burned during driving.

Onboard Refueling Vapor Recovery

The Onboard Refueling Vapor Recovery (ORVR) system captures the fuel vapors during refueling. The vapors are adsorbed in a canister filled with activated carbon. While driving, the fuel vapors are drawn into the engine and burned off.

Emissions Controls

Exhaust Emissions Controls

The exhaust emissions controls include four systems: PGM-FI, Ignition Timing Control, Exhaust Gas Recirculation and Three Way Catalytic Converter. These four systems work together to control the engine's combustion and minimize the amount of HC, CO, and NO_x that comes out the tailpipe. The exhaust emissions control systems are separate from the crankcase and evaporative emissions control systems.

PGM-FI System

The PGM-FI System uses sequential multiport fuel injection. It has three subsystems: Air Intake, Engine Control, and Fuel Control. The Engine Control Module (ECM) uses various sensors to determine how much air is going into the engine. It then controls how much fuel to inject under all operating conditions.

Ignition Timing Control System

This system constantly adjusts the ignition timing, reducing the amount of HC, CO, and NO_x produced.

Secondary Air Injection System

During engine warm-up, air is pumped into the exhaust to reduce emissions when the engine is cold.

Exhaust Gas Recirculation (EGR) System

The Exhaust Gas Recirculation (EGR) system takes some of the exhaust gas and routes it back into the intake manifold. Adding exhaust gas to the air/fuel mixture reduces the amount of NO_x produced when the fuel is burned.

Three Way Catalytic Converter

The three way catalytic converter is in the exhaust system. Through chemical reactions, it converts HC, CO, and NO_x in the engine's exhaust to carbon dioxide (CO₂), dinitrogen

(N₂), and water vapor.

Replacement Parts

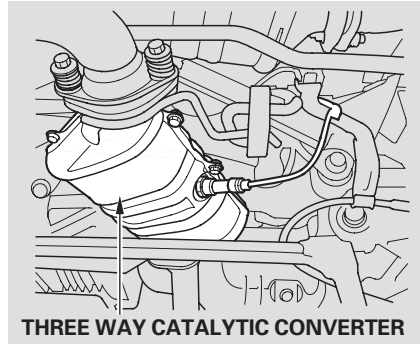
The emissions control systems are designed and certified to work together in reducing emissions to levels that comply with the Clean Air Act. To make sure the emissions remain low, you should use only new Acura replacement parts or their equivalent for repairs. Using lower quality parts may increase the emissions from your car.

The emissions control systems are covered by warranties separate from the rest of your car. Read your warranty manual for more information.

Three Way Catalytic Converter

The three way catalytic converter contains precious metals that serve as catalysts, promoting chemical reactions to convert the exhaust gasses without affecting the metals. The catalytic converter is referred to as a three-way catalyst, since it acts on HC, CO, and NOx. A replacement unit must be an original Acura part or its equivalent.

The three way catalytic converter must operate at a high temperature for the chemical reactions to take place. It can set on fire any combustible materials that come near it. Park your car away from high grass, dry leaves, or other flammables.



A defective three way catalytic converter contributes to air pollution, and can impair your engine's performance. Follow these guidelines to protect your car's three way catalytic converter.

- Always use unleaded gasoline. Even a small amount of leaded gasoline can contaminate the catalyst metals, making the three way catalytic converter ineffective.

- Keep the engine tuned-up.
- Have your car diagnosed and repaired if it is misfiring, back-firing, stalling, or otherwise not running properly.

State Emissions Testing

Testing of Readiness Codes

If you take your vehicle for a state emissions test shortly after the battery has been disconnected or gone dead, it may not pass the test. This is because of certain “readiness codes” that must be set in the on-board diagnostics for the emissions systems. These codes are erased when the battery is disconnected, and set again only after several days of driving under a variety of conditions.

If the testing facility determines that the readiness codes are not set, you will be requested to return at a later date to complete the test. If you must get the vehicle re-tested within the next two or three days, you can condition the vehicle for re-testing by doing the following.

- Make sure the gas tank is nearly, but not completely, full (around 3/4).
- Make sure the vehicle has been parked with the engine off for 8 hours or more.
- Make sure the ambient temperature is between 20° and 95° F.

- Without touching the accelerator pedal, start the engine and let it idle for 20 seconds.
- Keep the vehicle in Park (automatic transmission) or Neutral (manual transmission). Increase the engine speed to 2,000 rpm and hold it there until the temperature gauge rises to at least 1/4 of the scale (approximately 3 minutes).

- Select a nearby lightly traveled major highway where you can maintain a speed of 50 to 60 mph (80 to 97 km/h) for at least 20 minutes. Drive on the highway in D (A/T) or 6th (M/T). Do not use the cruise control. When traffic allows, drive for 90 seconds without moving the accelerator pedal. (Vehicle speed may vary slightly; this is okay.) If you cannot do this for a continuous 90 seconds because of traffic conditions, drive for at least 30 seconds, then repeat it two more times (for a total of 90 seconds).

- Then drive in city/suburban traffic for at least 10 minutes. When traffic conditions allow, let the vehicle coast for several seconds without using the accelerator pedal or the brake pedal.

If the testing facility determines the readiness codes are still not set, see your Acura dealer.

Warranty and Customer Relations

Customer Relations Information.....	286
Warranty Coverages	287
Reporting Safety Defects (U.S. Vehicles)	288
Authorized Manuals.....	289

Customer Relations Information

Acura dealership personnel are trained professionals. They should be able to answer all your questions. If you encounter a problem that your dealership does not solve to your satisfaction, please discuss it with the dealership's management. The Service Manager or General Manager can help. Almost all problems are solved in this way.

If you are dissatisfied with the decision made by the dealership's management, contact the Acura Customer Relations Office.

U.S. Owners:

Acura Automobile Division
Client Services Office
American Honda Motor Co., Inc.
1919 Torrance Blvd.
Torrance, CA 90501-2746

Tel: (800) 382-2238

In Puerto Rico and the U.S. Virgin Islands:

Vortex Motor Corp.
Bella International
P.O. Box 190816
San Juan, PR 00919-0816
(787) 250-4327

Canadian Owners:

CUSTOMER RELATIONS
RELATIONS AVEC LA CLIENTÈLE
Honda Canada Inc.
715 Milner Avenue
Toronto, ON
M1B 2K8

Tel: 1-888-9-ACURA-9
Fax: Toll-free 1-877-939-0909
Toronto (416) 287-4776

When you call or write, please give us this information:

- Vehicle Identification Number (see page 270)
- Name and address of the dealer who services your car
- Date of purchase
- Mileage on your car
- Your name, address, and telephone number
- A detailed description of the problem
- Name of the dealer who sold the car to you

U.S. Owners

Your new Acura is covered by these warranties:

New Car Limited Warranty — covers your new vehicle, except for the battery, emissions control systems, and accessories, against defects in materials and workmanship.

Emissions Control Systems Defects Warranty and Emissions Performance Warranty — these two warranties cover your car's emissions control systems. Time, mileage, and coverage are conditional. Please read the warranty manual for exact information.

Original Equipment Battery Limited Warranty — this warranty gives up to 100 percent credit toward a replacement battery.

Seat Belt Limited Warranty — a seat belt that fails to function properly is covered for the useful life of the vehicle.

Rust Perforation Limited Warranty — all exterior body panels are covered for rust-through from the inside for the specified time period with no mileage limit.

Accessory Limited Warranty — Acura accessories are covered under this warranty. Time and mileage limits depend on the type of accessory and other factors. Please read your warranty manual for details.

Replacement Parts Limited Warranty — covers all Acura replacement parts against defects in materials and workmanship.

Replacement Battery Limited Warranty — provides prorated coverage for a replacement battery purchased from an Acura dealer.

Replacement Muffler Lifetime Limited Warranty — provides coverage for as long as the purchaser of the muffler owns the car.

Restrictions and exclusions apply to all these warranties. Please read the 2003 Acura Warranty Information booklet that came with your car for precise information on warranty coverages. Your Acura's original tires are covered by their manufacturer. Tire warranty information is in a separate booklet.

Canadian Owners

Please refer to the 2003 Warranty Manual that came with your car.

Reporting Safety Defects (U.S. Vehicles)

If you believe that your vehicle has a defect which could cause a crash or could cause injury or death, you should immediately inform the National Highway Traffic Safety Administration (NHTSA) in addition to notifying Acura Automobile Division, American Honda Motor Co., Inc.

If NHTSA receives similar complaints, it may open an investigation, and if it finds that a safety defect exists in a group of vehicles, it may order a recall and remedy campaign. However, NHTSA cannot become involved in individual problems between you, your dealer, or Acura Automobile Division, American Honda Motor Co., Inc.

To contact NHTSA, you may either call the Auto Safety Hotline toll-free at 1-800-424-9393 (or 366-0123 in Washington D.C. area) or write to: NHTSA, U.S. Department of Transportation, Washington, D.C. 20590. You can also obtain other information about motor vehicle safety from the Hotline.

Purchasing Factory Authorized Manuals (U.S. only)

The following publications covering the operation and servicing of your car can be obtained from Helm Incorporated, either by filling out the attached form or, for credit card holders, calling the toll-free phone number on the form. For manuals prior to the year shown below, contact Helm Incorporated, P.O. Box 07280, Detroit, Michigan 48207, or call 1-800-782-4356.

Publication Form Number	From Description	Price Each*
61SL006	1997 Acura NSX Service Manual	\$76.00
61SW002	2003 Acura NSX Service Manual Supplement	\$38.00
61SW002EL	1997 – 2003 Acura NSX Electrical Troubleshooting Manual	\$47.00
61SL032	1995 – 2003 Acura NSX Body Repair Manual	\$44.00
31SW0620	2003 Acura NSX Owner's Manual	\$42.00
31SW0900	2003 Acura NSX Maintenance Journal	\$10.00
31SW0Q00	2003 Acura NSX Quick Start Guide	\$10.00
ACU-R	Order Form for Previous Years- Indicate Year and Model Desired	FREE
* Prices are subject to change without notice and without incurring obligation.		

Valid only for sales within the U.S. Canadian owners should contact their authorized Acura dealer.

ORDER TOLL FREE: 1-800-782-4356

(NOTE: For Credit Card Holder Orders Only)

Monday-Friday 8:00 A.M. – 6:00 P.M. EST

MINIMUM CREDIT CARD PURCHASE \$10.00

OR

By completing this form you can order the materials desired. You can pay by check or money order, or charge to your credit card. Mail to Helm Incorporated at the address shown on the back of the order form.

2 0 0 3 A C U	PUBLICATION NUMBER	VEHICLE MODEL		Qty	Price Each*	Total Price
		Name	Year			
* Prices are subject to change without notice and without incurring obligation.					TOTAL MATERIAL	
					Mich. Purchases Add 6% Sales Tax	
Orders are mailed within 10 days. Please allow adequate time for delivery.					HANDLING CHARGE	\$6.00
					GRAND TOTAL	

Authorized Manuals

S H I P T O	NOTE: Dealers and Companies please provide dealer or company name, and also the name of the person to whose attention the shipment should be sent. For purchases outside U.S.A. please write to the address shown below for a quotation.	
	_____	_____
	Customer Name	Attention
	_____	_____
	Street Address -- No P.O. Box Number	Apartment Number
_____	_____	
City	State & Zip Code	
Daytime Telephone Number () _____		

P A Y M E N T	<input type="checkbox"/> Check or money order enclosed payable to Helm Inc -- U.S. funds only. Do not send cash	
	<input type="checkbox"/> Master Card	<input type="checkbox"/> VISA <input type="checkbox"/> Check here if your billing address is different from the shipping address shown above.
	Account Number	Expiration: Mo. Yr.
	<input type="text"/> <input type="text"/> <input type="text"/> <input type="text"/> <input type="text"/> <input type="text"/> <input type="text"/> <input type="text"/> <input type="text"/> <input type="text"/> <input type="text"/> <input type="text"/> <input type="text"/> <input type="text"/> <input type="text"/> <input type="text"/> <input type="text"/> <input type="text"/> <input type="text"/> <input type="text"/> <input type="text"/> <input type="text"/> <input type="text"/>	<input type="text"/> <input type="text"/> <input type="text"/> <input type="text"/> <input type="text"/> <input type="text"/> <input type="text"/> <input type="text"/> <input type="text"/> <input type="text"/> <input type="text"/> <input type="text"/> <input type="text"/> <input type="text"/> <input type="text"/> <input type="text"/> <input type="text"/> <input type="text"/> <input type="text"/> <input type="text"/> <input type="text"/> <input type="text"/>
	_____	_____
CUSTOMER SIGNATURE	DATE	

These Publications cannot be returned for credit without receiving advance authorization within 14 days of delivery. On returns, a restocking fee may be applied against the original order.

HELM P.O. BOX 07280-DETROIT, MICHIGAN 48207-1-800-782-4356

Service Manual:

This manual covers maintenance and recommended procedures for repair to engine and chassis components. It is written for the Journeyman mechanic, but is simple enough for most mechanically-inclined owners to understand.

Electrical Troubleshooting Manual:

This manual complements the Service Manual by providing in-depth troubleshooting information for each electrical circuit in your car.

Body Repair Manual:

This manual describes the procedures involved in the replacement of damaged body parts.

A

Accessories	
Installation	139
ACCESSORY (Ignition Key	
Position)	66
Additives, Engine Oil.....	182
Airbag (SRS)	9
Air Cleaner Element.....	197
Air Conditioning.....	88
Maintenance.....	207
Usage.....	89
Air Outlets (Vents)	88
Air Pressure, Tires	209
Air Pump.....	247
Alarm, Anti-theft	124
Alcohol in Gasoline.....	277
Aluminum Wheels, Cleaning.....	230
Antenna, Cleaning	229
Antifreeze	185
Anti-lock Brakes (ABS)	
Indicator.....	50, 161
Operation.....	159
Anti-theft Steering Column Lock ..	66
Appearance Care	227
Ashtray.....	85

Audio System	98
Automatic Car Washes	229
Automatic Climate Control	
System.....	88
Automatic Speed Control.....	125
Automatic Transmission.....	151
Capacity, Fluid	272
Checking Fluid Level.....	193
Shifting.....	151
Shift Lock Release.....	156
Shift Lever Position Indicator ..	151

B

Back-up Lamp Replacement.....	222
Battery	
Charging System	
Indicator.....	49, 257
Jump Starting	251
Maintenance	202
Specifications	273
Before Driving	129
Belts, Seat	8
Beverage Holder.....	84
Body Repair	234

Brakes	158
Anti-lock System (ABS).....	159
Break-in, New Linings	130
Bulb Replacement	222
Fluid	195
Parking.....	83
System Indicator	50
Wear Indicators, Disc	158
Braking System.....	158
Break-in, New Car	130
Brightness Control, Instruments... 57	
Brights, Headlights	56
Bulb Replacement.....	218
Back-up Lights	222
Brake Lights.....	222
Courtesy Lights	224
Headlights	218
License Plate Lights.....	223
Parking Lights	222
Side Marker Lights	221
Specifications	273
Turn Signal Lights.....	220
Bulbs, Halogen.....	218

CONTINUED

Index

C

Capacities Chart.....	272
Carbon Monoxide Hazard	41
Cargo, Carrying	141
Cassette Player	
Care	114
Operation.....	106
CAUTION, Explanation of	ii
CD Changer.....	116
Certification Label.....	270
Chains	215
Changing a Flat Tire	236
Changing Engine Coolant.....	187
Changing Oil	
How to.....	183
When to.....	172
Charging System Indicator	49, 257
Check Engine Light	50, 260
Checklist, Before Driving.....	146
Child Safety	19
Child Seats Techer Anchorage	
Point	33
Cigarette Lighter	85
Cleaner, Air	197

Cleaning	227
Aluminum Wheels.....	230
Antenna.....	229
Exterior	228
Interior	230
Leather.....	232
Seat Belts.....	232
Vinyl	232
Windows	232
CLEAN Light	114
Climate Control System.....	88
Clock, Setting the	82
Clutch Fluid	196
Coin Holder	84
CO in the Exhaust	280
Cold Weather, Starting in.....	147
Compact (Folding) Spare Tire.....	247
Controls, Instruments and.....	45
Coolant	
Adding.....	185
Checking	135
Proper Solution	185
Temperature Gauge.....	53
Console Compartment	84
Corrosion Protection	233
Courtesy Lights	86

Crankcase Emission Control	
System.....	279
Cruise Control Operation	125
Customer Relations	
Information.....	286

D

DANGER, Explanation of.....	ii
Dashboard	47
Daytime Running Lights.....	56
Defects, Reporting Safety.....	288
Defogger, Rear Window	57
Defrosting the Windows.....	95
Dimensions.....	272
Dimming the Headlights	56
Dipstick	
Automatic Transmission.....	193
Engine Oil.....	133
Directional Signals.....	58
Disc Brake Wear Indicators.....	158
Disposal of Used Oil.....	184
Do Not Tow a Trailer	165
Doors	
Locking and Unlocking.....	67
Lockout Prevention	68

Monitor Light.....	51
Power Door Locks.....	67
DOT Tire Quality Grading.....	274
Downshifting, 6-speed Manual Transmission.....	148
Driving.....	145
Economy.....	138
In Bad Weather.....	164
In Foreign Countries.....	278

E

Economy, Fuel.....	138
Emergencies on the Road.....	235
Battery, Jump Starting.....	251
Changing a Flat Tire.....	236
Charging System Indicator.....	257
Checking the Fuses.....	263
Low Oil Pressure Indicator.....	256
Malfunction Indicator Lamp.....	258
Overheated Engine.....	254
Emergency Brake.....	83
Emergency Flashers.....	60
Emissions Controls.....	279
Emissions Testing, State.....	282

Engine.....	
Belts.....	208
Compartment, Checking in the.....	132
Coolant.....	185
Coolant Temperature Gauge.....	53
Drive Belts.....	208
Malfunction Indicator Lamp.....	50, 258
Oil Pressure Gauge.....	53
Oil Pressure Indicator.....	49, 256
Oil, What Kind to Use.....	181
Overheating.....	254
Speed Limiter.....	149, 155
Specifications.....	272
Starting.....	147
Engine Cover, Opening the.....	132
Ethanol in Gasoline.....	277
Evaporative Emissions Controls..	279
Exhaust Fumes.....	41
Exhaust Gas Recirculation System.....	280
Expansion Tank, Engine Coolant.....	135
Expectant Mothers, Use of Seat Belts by.....	17

Exterior, Cleaning the.....	228
-----------------------------	-----

F

Fabric, Cleaning.....	231
Fan, Interior.....	89
Features, Comfort and Convenience.....	87
Filling the Fuel Tank.....	131
Filters.....	
Fuel.....	198
Oil.....	183
Flashers, Hazard Warning.....	60
Flat Tire, Changing a.....	236
Fluids.....	
Automatic Transmission.....	193
Brake.....	195
Clutch.....	196
Manual Transmission.....	194
Windshield Washer.....	192
FM Stereo Radio Reception.....	104
Folding Spare Tire.....	247
Foreign Countries, Driving in.....	278
Four-way Flashers.....	60

CONTINUED

Index

Fuel.....	130
Fill Door and Cap.....	131
Filter.....	198
Gauge.....	54
Octane Requirement.....	130
Oxygenated.....	277
Reserve Indicator.....	52
Tank, Filling the.....	131
Fuel Mileage, Improving.....	138
Fuel Station Procedures.....	131
Fuses, Checking the.....	263

G

Gasohol.....	277
Gasoline.....	130
Filter.....	198
Fuel Reserve Indicator.....	52
Gauge.....	54
Octane Requirement.....	130
Oxygenated Fuels.....	277
Tank, Filling the.....	131
Gauges.....	53
Engine Coolant Temperature....	53
Engine Oil Pressure.....	53
Fuel.....	54

Speedometer.....	53
Tachometer.....	53
Voltmeter.....	54
Gearshift Lever Positions	
Automatic Transmission.....	151
6-speed Manual	
Transmission.....	148
Glass Cleaning.....	232
Glove Box.....	70

H

Halogen Headlight Bulbs.....	218
Hazard Warning Flashers.....	60
Headlights	
Daytime Running Lights.....	56
High Beam Indicator.....	52
Reminder Chime.....	56
Replacing Halogen Bulbs.....	218
Turning on.....	56
Heating and Air Conditioning	
System.....	88
High Altitude, Starting at.....	147
High-Low Beam Switch.....	56
High Speed, Shifting at.....	149
Hood Latch.....	199

Hood, Opening the.....	135
Horn.....	55
Hydraulic Clutch.....	196
Hydroplaning.....	165

I

Identification Number, Vehicle....	270
Ignition	
Keys.....	62
Switch.....	65
Timing Control System.....	280
Indicator, Instrument Panel.....	48
Inflation, Proper Tire.....	209
Inside Mirror.....	81
Inspection, Tire.....	211
Instrument Panel.....	48
Instrument Panel Brightness.....	57
Interior Cleaning.....	230
Interior Lights.....	86
Introduction.....	i

J

Jacking Up the Car	238
Jack, Tire	237
Jump Starting	251

K

Keys.....	62
-----------	----

L

Label, Certification.....	270
Lane Change, Signaling.....	58
Lap/Shoulder Belts.....	34
Leather, Cleaning.....	232
Lighter, Cigarette.....	85
Lights	
Bulb Replacement.....	218
Courtesy.....	86
Indicator.....	48
Parking.....	56
Turn Signal.....	58
Load Limit.....	142
Loading Cargo.....	141
LOCK (Ignition Key Position)	66

Locks

Anti-theft Steering Column	66
Fuel Fill Door	131
Glove Box	70
Power Door	67
Trunk	68
Low Coolant Level.....	135
Lower Gear, Downshifting to a....	148
Low Fuel Indicator	52
Low Oil Pressure Indicator	49, 256
Lubricant Specifications Chart	272
Luggage	141

M

Maintenance.....	167
Owner Maintenance Checks....	179
Record.....	177
Schedule	170
Malfunction Indicator Lamp ..	50, 258
Manual Transmission.....	148
Manual Transmission Fluid	194
Meters, Gauges.....	53
Methanol in Gasoline	277
Mirrors, Adjusting	81

N

Neutral Gear Position.....	153
New Vehicle Break-in	130
Normal Shift Speeds.....	149
NOTICE, Explanation of.....	ii
Numbers, Identification.....	270

O

Octane Requirement, Gasoline....	130
Odometer.....	54
Odometer, Trip	54
Oil	
Change, How to	183
Change, When to	172
Checking Engine	133
Pressure Gauge	53
Pressure Indicator	49, 256
Selecting Proper Viscosity	
Chart	182
ON (Ignition Key Position)	66

CONTINUED

Index

Onboard Refueling Vapor Recovery	279
Opening the Engine Cover	132
Opening the Trunk.....	68
Operation in Foreign Countries... ..	278
Outside Mirrors	81
Overheating, Engine	254
Oxygenated Fuels.....	277

P

Paint Touch-up.....	230
Panel Brightness Control	57
Park Gear Position.....	152
Parking Brake	83
Parking Lights.....	56
PGM-FI System.....	280
Polishing and Waxing	229
Pregnancy, Using Seat Belts	17
Protecting Adults.....	12
Additional Safety Precautions....	18
Advice for Pregnant Women.....	17
Protecting Children	19
Protecting Larger Children	29
Protecting Small Children	26

Using Child Seats with Tethers.....	33
-------------------------------------	----

R

Radiator Overheating.....	254
Radio/Cassette Sound System.....	98
Readiness Codes.....	282
Rear Lights, Bulb Replacement... ..	222
Rear View Mirror.....	81
Rear Window	
Defogger	57
Opening the.....	132
Reclining the Seat-backs.....	71
Recommended Shift Speeds	149
Recovery Vehicle, Emergency	
Towing	268
Reminder Lights.....	48
Removable Roof Panel.....	74
Installing	78
Removing and Storing.....	75
Roof Unlatched Indicator	79
Roof cover.....	76
Replacement Information	
Air Cleaner	197
Engine Coolant.....	187

Engine Oil and Filter	183
Fuel Filter	198
Fuses	262
Light Bulbs.....	218
Schedule	172
Spark Plugs.....	199
Tires	213
Wiper Blades	205
Replacing Seat Belts After a	
Crash	35
Reserve Tank, Engine Coolant ...	135
Restraint, Child	19
Reverse Gear Position.....	153
Rotation, Tire	212

S

Safety Belts.....	8
Safety Defects, Reporting.....	288
Safety Labels, Location of	42
Safety Messages	ii
Seat Belt, Additional Information ..	34
Lap/Shoulder Belt	34
Seat Belt Maintenance	36
Seat Belt System Components... ..	34

Seat Belts.....	8	Sound System.....	98	Stereo Sound System	98
Additional Information.....	34	Spare Tire, Folding		Storing Your Car.....	226
Automatic Seat Belt		Inflating.....	247	Stuck Car	267
Tensioners.....	35	Specifications	273	Supplemental Restraint System	
Cleaning.....	232	Spark Plugs, Replacing	199	Servicing	40
Maintenance.....	36	Specifications Charts.....	272	SRS Indicator.....	39, 50
Reminder Light and Beeper.....	49	Speed Control.....	125	Tensioners, Seat Belts	35
System Components.....	34	Speedometer	53		
Use During Pregnancy.....	17	SRS, Additional Information.....	36	T	
Seats, Adjusting the.....	71	Additional Safety Precautions... ..	40	Tachometer	53
Security Alarm System	124	How the SRS Indicator Works... ..	39	Taillights, Changing Bulbs in.....	222
Serial Number	270	How Your Airbags Work	37	Taking Care of the Unexpected ..	235
Service Intervals	172	SRS Components	37	Tape Player.....	106
Service Manual	289	SRS Service.....	40	Operation.....	106
Service Station Procedures	131	SRS Indicator Light	39, 50	Maintenance.....	114
Setting the Clock	82	START (Ignition Key Position)	66	TCS Indicator	51, 163
Shift Lever Position Indicator	151	Starting the Engine.....	147	Technical Descriptions	
Shift Lock Release.....	156	In Cold Weather at High		Emissions Control Systems.....	279
Side Marker Lights, Bulb		Altitude	147	Three Way Catalytic	
Replacement in	221	With a Dead Battery	251	Converter.....	281
Signaling Turns.....	58	State Emissions Testing	282	Temperature Gauge	53
6-speed Manual Transmission		Steam Coming from Engine.....	254		
Checking Fluid Level.....	194	Steam from under the Car.....	254		
Shifting the	148	Steering Wheel			
Snow Tires.....	215	Adjustments	60		
Solvent-type Cleaners.....	228	Anti-theft Column Lock	66		

CONTINUED

Index

- Tensioners, Seat Belts 35
Tether Attachment Point..... 33
Theft Deterrent System..... 124
Three Way Catalytic Converter... 281
Time, Setting the 82
Tire Chains 215
Tire, How to Change a Flat 236
Tire Information 276
Tires 209
 Air Pressure 209
 Balancing 212
 Checking Wear 211
 DOT Tire Quality Grading 274
 Folding Spare 247
 Inflation 209
 Inspection 211
 Replacing 213
 Rotating..... 212
 Snow 215
 Specifications 273
Tools, Tire Changing 237
Towing
 A Trailer, Do Not..... 165
 Emergency Wrecker 268
Traction Control System (TCS)
 Operation 162
Trailer, Do Not Tow a 165
Transmission
 Checking Fluid Level,
 Automatic 193
 Checking Fluid Level, 6-speed
 Manual Transmission 194
 Fluid Selection 193, 194
 Identification Number 270
 Shifting the Automatic 151
 Shifting the 6-speed Manual
 Transmission..... 148
Treadwear 274
Trip Meter 55
Trunk..... 68
 Emergency Trunk Opener 69
 Opening the 68
 Open Monitor Light 51
Turn Signals 58
- U**
- Underside, Cleaning 233
Unexpected, Taking Care
 of the 235
Uniform Tire Quality Grading 274
Unleaded Gasoline..... 130
- Upholstery Cleaning..... 230
Used Oil, How to Dispose of 184
- V**
- Vehicle Dimensions..... 272
Vehicle Identification Number..... 270
Vehicle Storage 226
Ventilation..... 88
VIN 270
Vinyl Cleaning 232
Viscosity, Oil..... 182
Voltmeter 54
- W**
- WARNING, Explanation of ii
Warning Labels, Location of 42
Warranty Coverages 287
Washer, Windshield
 Checking the Fluid Level 192
 Operation 59
Washing 228
Waxing and Polishing 229
Wheels 214
 Adjusting the Steering 60

Alignment and Balance	212
Cleaning Aluminum Alloys.....	230
Folding Spare	247
Wrench	237
Windows	
Cleaning	232
Operating the Power	72
Opening the Rear.....	132
Rear, Defogger	57
Windshield	
Cleaning	59
Defroster	95
Washers	59
Wipers, Windshield	
Changing Blades.....	205
Operation	58
Worn Tires	211
Wrecker, Emergency Towing.....	268

Service Information Summary

Gasoline:

Premium unleaded gasoline, pump octane number of 91 or higher.

Fuel Tank Capacity:

18.5 US gal (70 ℓ)

Recommended Engine Oil:

API premium grade 10W-30 detergent oil (see page [181](#)).

Oil change capacity (including filter):

5.3 US qt (5.0 ℓ)

Automatic Transmission Fluid:

Honda ATF-Z1 (Automatic Transmission Fluid) preferred, or a DEXRON® III ATF as a temporary replacement (see page [193](#)).

6-speed Manual Transmission Fluid:

Honda Manual Transmission Fluid preferred, or an SAE 10W-30 or 10W-40 motor oil as a temporary replacement (see page [194](#)).

Capacity:

2.7 US qt (2.6 ℓ)

Brake Fluid:

Honda Heavy Duty Brake Fluid DOT 3 preferred, or a DOT 3 or DOT 4 brake fluid as a temporary replacement (see page [195](#)).

Tire Pressure (measured cold):

Front:

33 psi (230 kPa , 2.3 kgf/cm²)

Rear:

40 psi (275 kPa , 2.8 kgf/cm²)

Spare Tire Pressure:

Front:

26 psi (180 kPa , 1.8 kgf/cm²)

Rear:

32 psi (220 kPa , 2.2 kgf/cm²)